



Classified by  
Underwriters Laboratories, Inc.  
to UL 1479

## System No. C-AJ-2109

F Ratings — 2 and 3 Hr (See Item 3)

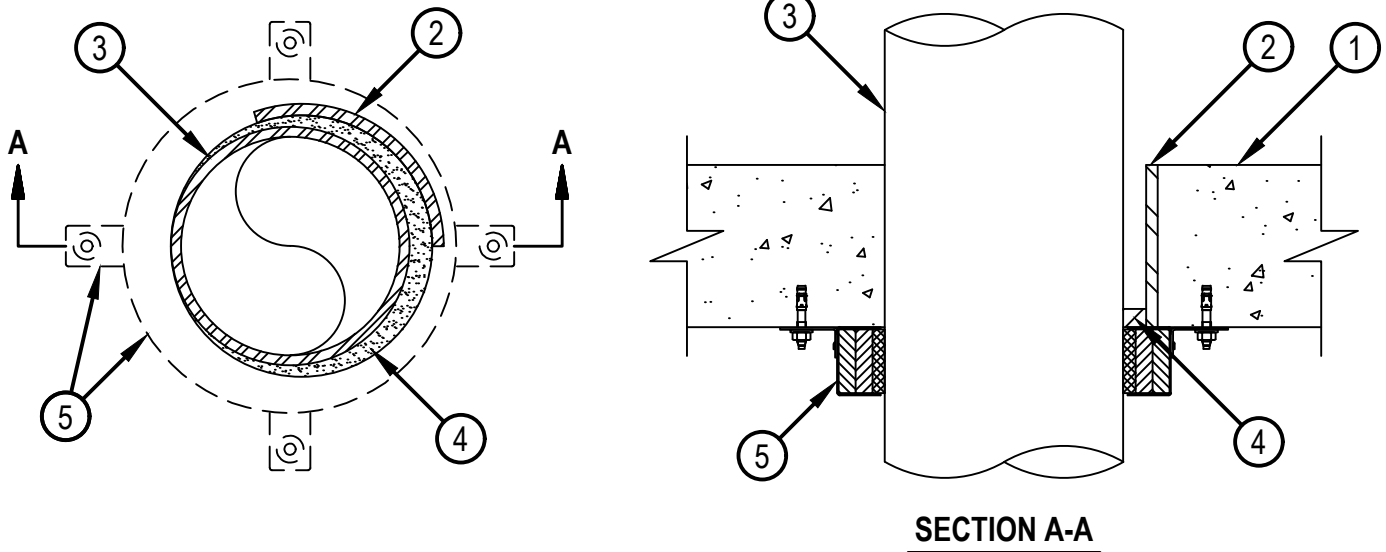
T Ratings — 0, 2 and 3 Hr (See Items 2 and 3)

W Rating - Class 1 (See Items 2, 3 and 4)

L Rating at Ambient — Less Than 1 CFM/sq ft (See Item 4)

L Rating at 400 F — Less Than 1 CFM/sq ft (See Item 4)

CAJ 2109



1. Floor or Wall Assembly — Min 4-1/2 in. (114 mm) thick reinforced lightweight or normal weight (100-150 pcf or 1600-2400 kg/m<sup>3</sup>) concrete. Wall may also be constructed of any UL Classified Concrete Blocks\*. Max diam of opening is 12 in. (305 mm).  
See Concrete Blocks (CAZT) category in the Fire Resistance Directory for names of manufactures.
2. Steel Sleeve — (Optional) — Nom 12 in. (305 mm) diam (or smaller) Schedule 40 (or heavier) steel pipe cast or grouted into floor or wall assembly, flush with floor or wall surfaces a max of 3 in. (76 mm) above the floor. If the steel sleeve extends above the floor, the T Rating of the firestop system is 0 Hr and a min 1/2 in. (13 mm) annular space is required between the through penetrant (Item 3) and the periphery of the opening. The W Rating does not apply when the steel sleeve is used.
3. Through Penetrants — One nonmetallic pipe to be installed either concentrically or eccentrically within the firestop system. For max 6 in. (152 mm) diam pipes, the annular space between the pipe and the periphery of opening shall be min 0 in. (0 mm, point contact) to max 1/2 in. (13 mm). For nom 8 in. (203 mm) and 10 in. (254 mm) diam pipes, the annular space between the pipe and the periphery of opening shall be min 0 in. (0 mm, point contact) to max 1-1/4 in. (32 mm). If the steel sleeve extends above the floor (Item 2), a min 1/2 in. (13 mm) annular space is required between the through penetrant (Item 3) and the periphery of the opening. Pipe to be rigidly supported on both sides of floor or wall assembly. For systems with a W Rating, the max annular space is 1/2 in. (13 mm). The T Ratings are dependent on the size and/or type of pipe as shown in the table below. The following types and sizes of nonmetallic pipes may be used:
  - A. Polyvinyl Chloride (PVC) Pipe — Nom 10 in. (254 mm) diam (or smaller) Schedule 40 solid core or cellular core PVC pipe for use in closed (process or supply) or vented (drain, waste or vent) piping systems. For systems with a W Rating, the nom diam of pipe shall not exceed 6 in. (152 mm).
  - B. Chlorinated Polyvinyl Chloride (CPVC) Pipe — Nom 10 in. (254 mm) diam (or smaller) SDR13.5 CPVC pipe for use in closed (process or supply) piping systems. For systems with a W Rating, the nom diam of pipe shall not exceed 6 in. (152 mm).
  - C. Acrylonitrile Butadiene Styrene (ABS) Pipe — Nom 6 in. (152 mm) diam (or smaller) Schedule 40 solid-core or cellular core ABS pipe for use in closed (process or supply) or vented (drain, waste or vent) piping system.
  - D. Flame Retardant Polypropylene (FRPP) Pipe — Nom 6 in. (152 mm) diam (or smaller) Schedule 40 FRPP pipe for use in closed (process or supply) or vented (drain, waste or vent) piping systems.



Reproduced by HILTI, Inc. Courtesy of  
Underwriters Laboratories, Inc.  
July 31, 2018

## System No. C-AJ-2109

CAJ 2109

Pipe Type	Nom Pipe Diam, In. (mm)	F Rating Hr
PVC, CPVC	Greater than 6 (152)	2
PVC, CPVC, ABS, FRPP	6 (152) or smaller	3
Pipe Type	Nom Pipe Diam, In. (mm)	T Rating Hr
PVC, CPVC, ABS, FRPP	1-1/2, 2, 3 (38, 51, 76)	2
PVC, CPVC, ABS, FRPP	4 (102)	3
PVC, CPVC, ABS+, FRPP	6 (152)	3
PVC, CPVC	Greater than 6 (152)	0
ABS++	6 (152)	0

+ Indicates solid core ABS only.

++ Indicates cellular core ABS only.

4. Fill, Void or Cavity Material\* — Sealant — Min 1/2 in. (13 mm) thickness of fill material applied within the annulus, flush with top or bottom surface of floor or both surfaces of wall. Sealant is optional for pipes having a max diam of 6 in. (152 mm) in unsleeved openings. For systems with W Rating and/or L Rating, min 1/2 in. (13 mm) thickness of CP 601S, CFS-S SIL GG, CFS-S SIL SL (floors only) Sealant shall be applied within the annulus, flush with top or bottom surface of floor.

HILTI CONSTRUCTION CHEMICALS, DIV OF HILTI INC — FS-ONE MAX Intumescent Sealant, CP 601S Sealant, CFS-S SIL GG, CFS-S SIL SL (floors only) Sealant

4A. Packing Material — (Not Shown) — Min 1/2 in. (13 mm) thickness of 4 pcf (64 kg/m<sup>3</sup>) mineral wool batt insulation firmly packed into annular space and recessed from the top surface of floor to accommodate the required thickness of fill material. Required only when CP 604 Sealant is used.

5. Firestop Device\* — Firestop Collar — Firestop collar shall be installed in accordance with the accompanying installation instructions. Collar to be installed and latched around the pipe and secured to underside of floor or both sides of wall using the anchor hooks provided with the collar. Minimum two anchor hooks for nom 1-1/2 and 2 in. (38 and 51 mm) diam pipes. Minimum three anchor hooks required for nom 3 and 4 in. (76 and 102 mm) diam pipes. Minimum four anchor hooks required for nom 6 in. (152 mm) diam pipes. Minimum ten anchor hooks required for nom 8 in (203 mm) diam pipes. Minimum twelve anchor hooks required for nom 10 in. (254 mm) diam pipes. The anchor hooks are to be secured with min 1/4 in. (6 mm) diam by min 1-1/4 in. (32 mm) long steel expansion bolts or min 0.145 in. (3.7 mm) diam by 1-1/4 in. (32 mm) long powder actuated fasteners utilizing a 1-7/16 in. (37 mm) diam by 1/16 in. (1.6 mm) thick steel washer. As alternates to the anchors specified above, Hilti 1/4 in. (6 mm) diam by 1-1/4 in. (32 mm) long KWIK-CON II+ concrete screw anchor, Hilti 1/4 in. (6 mm) diam by 1-3/4 in. (45 mm) long KWIK-BOLT 3 steel expansion anchor or Hilti X-DNI 27 P8 S15 powder actuated floor pin with integral nom 9/16 in. (15 mm) diam washer may be used.

HILTI CONSTRUCTION CHEMICALS, DIV OF HILTI INC — CP 643N 50/1.5", CP 643N 63/2", CP 643N 90/3", CP 643N 110/4", CP 643 160/6", CP 644-200/8" US or CP 644-250/10" US Firestop Collar

\* Indicates such products shall bear the UL or cUL Certification Mark for jurisdictions employing the UL or cUL Certification (such as Canada), respectively.



**Hilti Firestop Systems**

Reproduced by HILTI, Inc. Courtesy of  
Underwriters Laboratories, Inc.  
July 31, 2018