



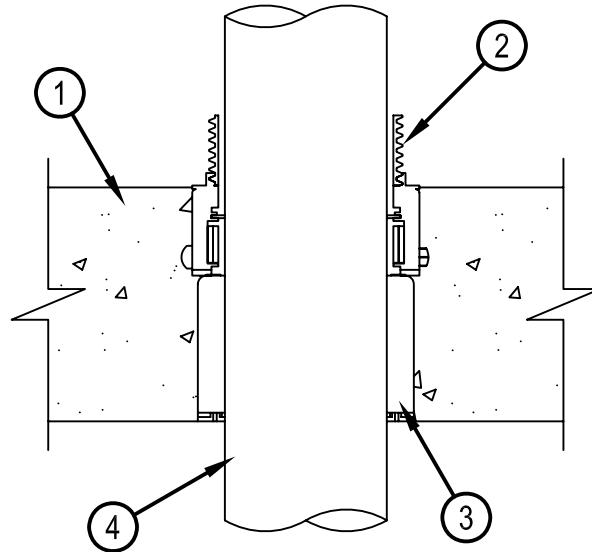
Classified by
Underwriters Laboratories, Inc.
to UL 1479

System No. F-B-2013

F Rating — 3 Hr

T Rating — 0 Hr

FB 2013



1. Floor Assembly — Min 6 in. (152 mm) thick reinforced lightweight or normal weight (100-150 pcf or 1600-2400 kg/m³) concrete.
2. Firestop Device* — Cast in place firestop device permanently embedded during concrete placement or grouted in concrete floor assembly in accordance with accompanying installation instructions with a max 2 in. (51 mm) projection above the top surface of the concrete.
HILTI CONSTRUCTION CHEMICALS, DIV OF HILTI INC — CP 680N-110/4", CP 680-P 4"
3. Aerator Adapter — Nom 3-1/2 in. (89 mm) deep for CP 680N-110/4", or nom 3 in. (76 mm) deep for CP 680-P 4", cast-in-place adapter mechanically fastened to the device in accordance with the manufacturer's installation instructions, and fastened to form prior to placement of the concrete.
4. Through Penetrants — One non-metallic pipe to be installed concentrically within the firestop device. Pipe to be rigidly supported on both sides of floor assembly. The following types of pipe may be used:
 - A. Polyvinyl Chloride (PVC) — Nom 4 in. (102 mm) diam Schedule 40 solid or cellular core PVC pipe.
5. Aerator Fitting — (Not Shown) Nom 4 in. (102 mm) diam cast iron aerator fitting. Fitting shall not penetrate the firestop device.

*Bearing the UL Classification Mark



Hilti Firestop Systems

Reproduced by HILTI, Inc. Courtesy of
Underwriters Laboratories, Inc.
December 14, 2006