



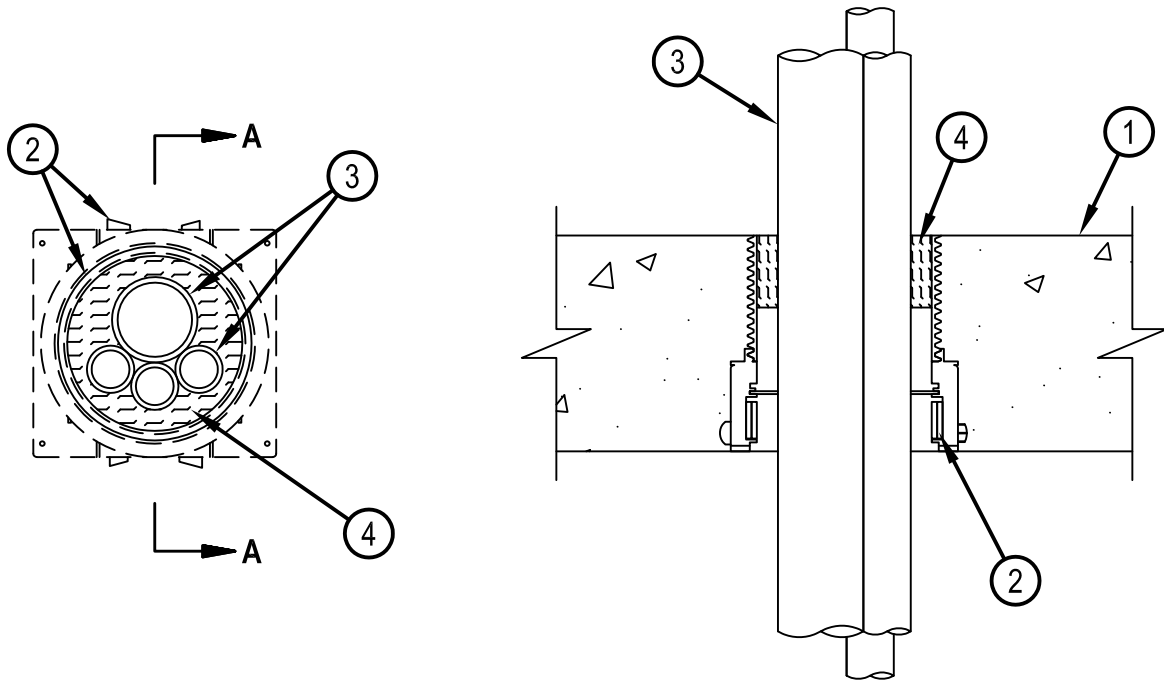
Classified by
Underwriters Laboratories, Inc.
to UL 1479

System No. F-B-2040

F Rating — 2 Hr

T Rating — 0 Hr

FB 2040



SECTION A-A

1. Floor Assembly — Min 6 in. (152 mm) thick reinforced lightweight or normal weight (100-150 pcf or 1600-2400 kg/m³) concrete.
2. Firestop Device* — Cast in place firestop device permanently embedded during concrete placement or grouted in concrete assembly in accordance with accompanying installation instructions, flush with top surface of the concrete.
HILTI CONSTRUCTION CHEMICALS, DIV OF HILTI INC — CP 680-P 2", CP 680-P 3", CP 680-P 4", CP 680-PX 2", CP 680-PX 3"
3. Crosslinked Polyethylene (PEX) Tubing — Nom 2 in. (51 mm) diam (or smaller) SDR 9 PEX tubing for use in closed (process or supply) or vented (drain, waste or vent) piping systems. Nonmetallic tubing bundle consisting of max four tubes installed concentrically within the firestop system. Tubing to be rigidly supported on both sides of floor assembly.
4. Packing Material — Min 2 in. (51 mm) depth of 4 pcf (64 kg/m³) mineral wool batt insulation tightly packed into the device flush with the top surface of the floor.
- 4A. Forming Material* — (Not Shown) - As an alternate to Item 4, min 2 in. (51 mm) depth of foam forming material installed to fill device flush with the top surface of the floor.
HILTI CONSTRUCTION CHEMICALS, DIV OF HILTI INC — CF-AS CJP Foam Sealant

* Indicates such products shall bear the UL or cUL Certification Mark for jurisdictions employing the UL or cUL Certification (such as Canada), respectively.



Hilti Firestop Systems

Reproduced by HILTI, Inc. Courtesy of
Underwriters Laboratories, Inc.
June 29, 2015