

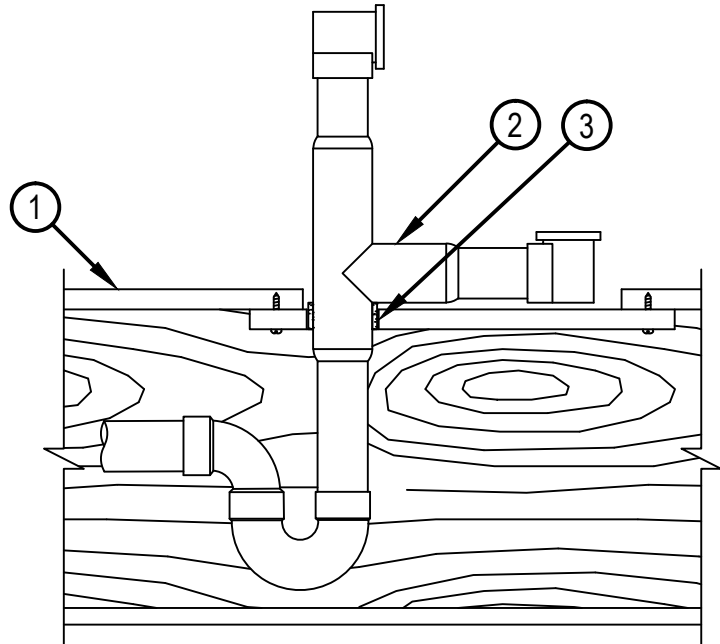
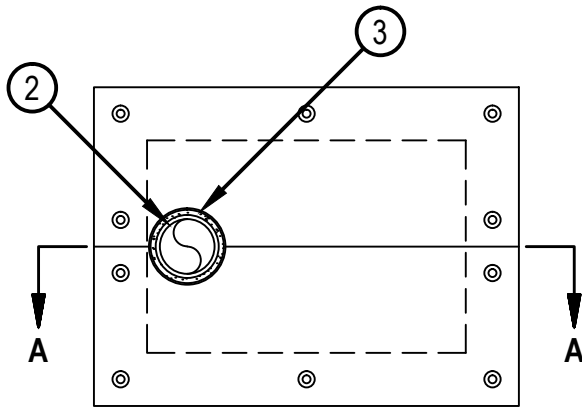


Classified by
Underwriters Laboratories, Inc.
to UL 1479

System No. F-C-2205

F Rating - 1 Hr
T Rating - 1 Hr

FC 2205



SECTION A-A

1. Floor -- Ceiling Assembly -- The 1 hr fire-rated solid or trussed lumber joist floor-ceiling assembly shall be constructed of the materials and in the manner specified in the individual L500 Series Floor-Ceiling Designs in the UL Fire Resistance Directory. The general construction features of the floor-ceiling assembly are summarized below:

- A. Flooring System -- Lumber or plywood subfloor with finish floor of lumber, plywood or Floor Topping Mixture* as specified in the individual Floor-Ceiling Design. Rectangular cutout in flooring to accommodate the bathtub drain piping (Item 2) to be max 8 in. by 12 in. Cutout to be patched on underside of subfloor using one layer of min 3/4 in. thick plywood or min 5/8 in. thick gypsum board (Item 1C) sized to lap min 2 in. beyond each edge of rectangular cutout. Patch split into two pieces at opening and hole-sawed for bathtub drain piping. Diam of opening hole sawed through patch to accommodate drain piping (Item 2) to be 1/2 in. larger than outside diam of drain piping and positioned such that the drain piping is centered in opening. Two pieces positioned around drain piping, with cut edges tightly butted, and screw-attached to underside of subfloor with 1-1/4 in. long steel screws spaced max 6 in. OC.
- B. Wood Joists* -- Nom 10 in. deep (or deeper) lumber, steel or combination lumber and steel joists, trusses or Structural Wood Members* with bridging as required and with ends firestopped.
- C. Gypsum Board* -- Nom 5/8 in. thick, 4 ft wide as specified in the individual Floor-Ceiling Design.



Hilti Firestop Systems

Reproduced by HILTI, Inc. Courtesy of
Underwriters Laboratories, Inc.
April 25, 2005



Classified by
Underwriters Laboratories, Inc.
to UL 1479

System No. F-C-2205

F Rating - 1 Hr

T Rating - 1 Hr

FC 2205

2. Drain Piping -- Nom 1-1/2 in. (or smaller) diam Schedule 40 acrylonitrile butadiene styrene (ABS) or polyvinyl chloride (PVC) pipe and drain fittings cemented together and provided with ABS or PVC bathtub waste/overflow fittings. Annular space shall be 1/4 in.

3. Fill Void or Cavity Materials* -- Wrap Strip -- Nom 3/16 in. thick by 1 in. wide intumescent wrap strip. One layer of wrap strip wrapped around drain piping with ends butted and held in place with tape. Wrap strip installed within annulus flush with bottom surface of plywood or gypsum board patch.

HILTI CONSTRUCTION CHEMICALS, DIV OF
HILTI INC -- 648-E W25/1" Wrap Strip

A. Fill, Void or Cavity Material* -- Wrap Strip -- (As an alternate to the wrap strip in Item 3 on nom 1-1/2" diam pipes only) - Nom 3/16 in. thick by 1-1/2 in. wide intumescent wrap strip One layer of intumescent wrap strip is tightly wrapped around the pipe with ends butted and held in place with integrated tape. Wrap strip slid into annular space of cut-out in gypsum board such that the bottom surface of the wrap strip is flush with the bottom surface of the gypsum board.

HILTI CONSTRUCTION CHEMICALS, DIV OF
HILTI INC -- CP648-S-1.5" US

*Bearing the UL Classification Mark



Hilti Firestop Systems

Reproduced by HILTI, Inc. Courtesy of
Underwriters Laboratories, Inc.
April 25, 2005

Page: 2 of 2