

HILTI

HTE-P33

Operating instructions

en

Mode d'emploi

fr

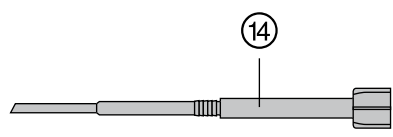
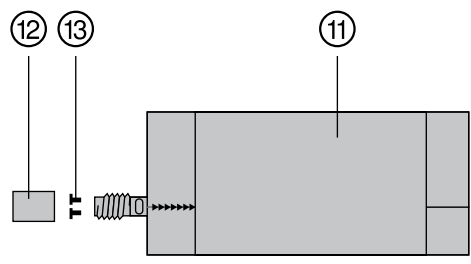
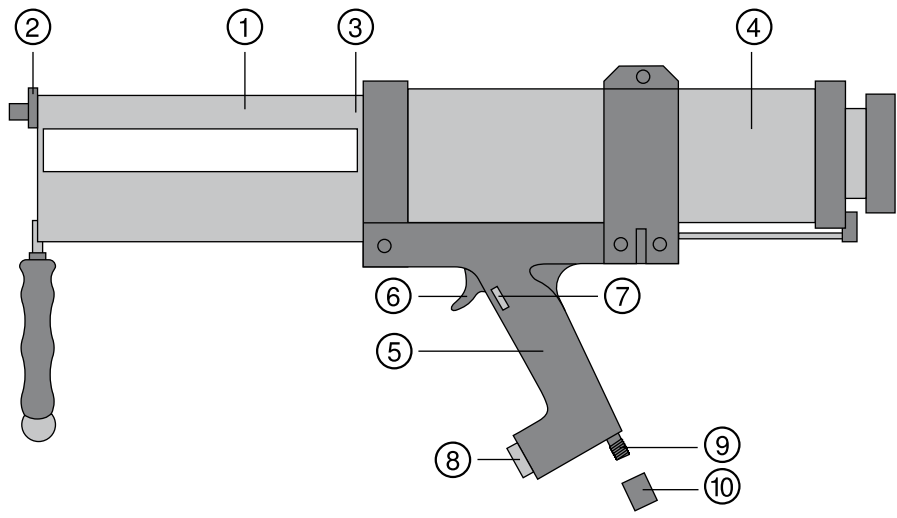
Manual de instrucciones

es

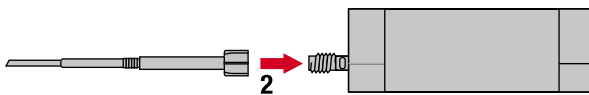
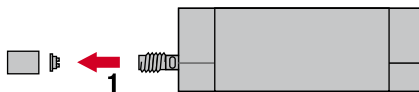
Manual de instruções

pt

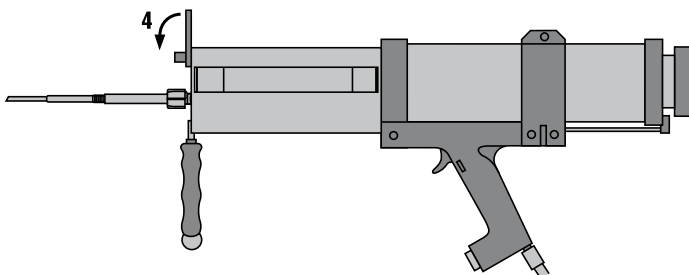
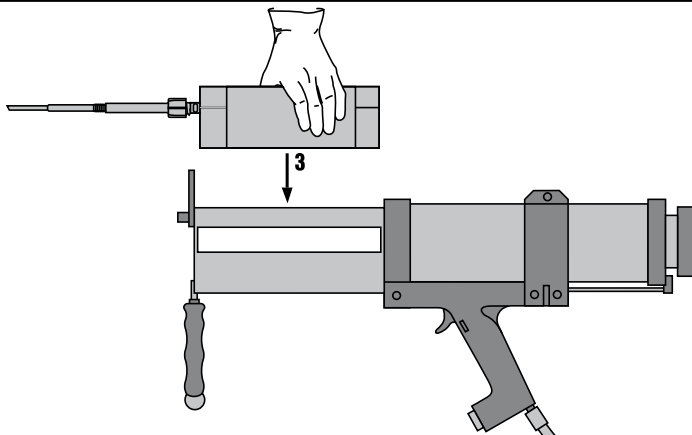
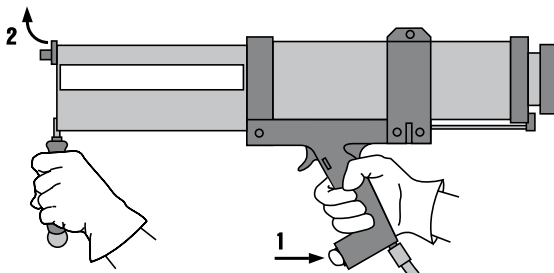
1



2



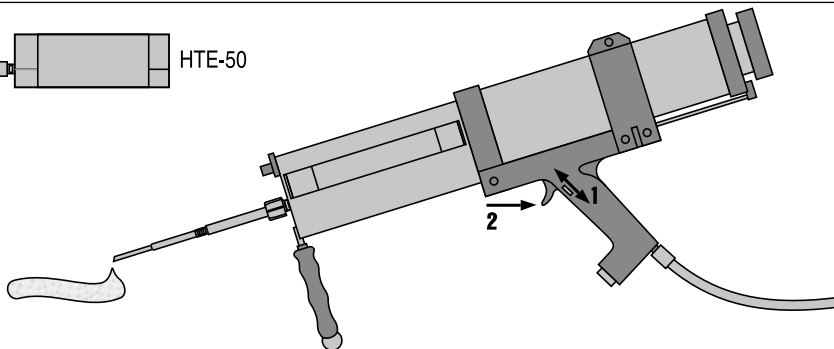
3



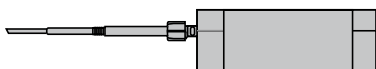
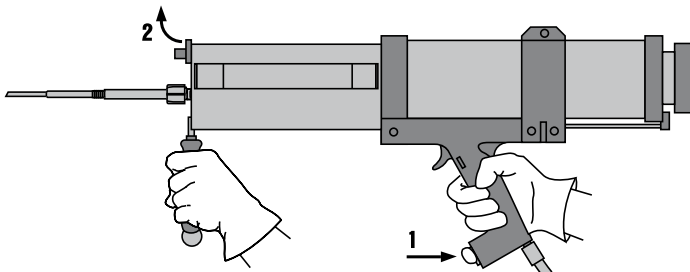
4



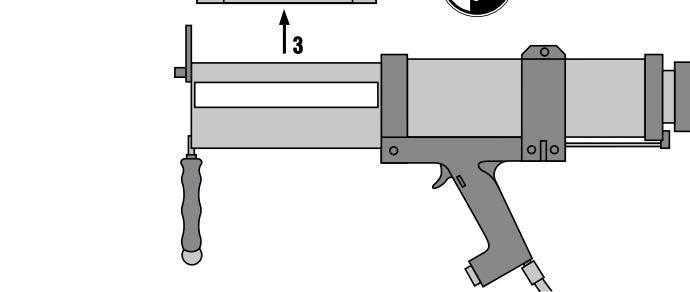
HTE-50



5



HTE-50



ORIGINAL OPERATING INSTRUCTIONS

Hilti HTE-P 33 dispenser

It is essential that the operating instructions are read before the tool is operated for the first time.

Always keep these operating instructions together with the tool.

Ensure that the operating instructions are with the tool when it is given to other persons.

Contents	Page
1 General information	1
2 Description	2
3 Technical data	2
4 Safety instructions	2
5 Before use	3
6 Operation	4
7 Care and maintenance	5
8 Troubleshooting	5
9 Disposal	6
10 Manufacturer's warranty	6
11 EC declaration of conformity (original)	7

i These numbers refer to the corresponding illustrations. The illustrations can be found on the fold-out cover

pages. Keep these pages open while studying the operating instructions.

In these operating instructions, the designation "the tool" always refers to the Hilti HTE-P 33 pneumatic dispenser.

Operating controls and parts **i**

- 1 Cartridge holder
- 2 Latch
- 3 Parallel piston rods
- 4 Compressed-air cylinder
- 5 Grip
- 6 Trigger for starting and controlling dispensing
- 7 Regulating wheel for adjusting the dispensing rate
- 8 Piston retraction button
- 9 Compressed-air connector

Optional accessories

- 10 Connector set for connecting various compressed-air systems

Consumables

- 11 Hilti HTE-50 two-component cartridge, contents: 33 fl.oz., mixing ratio A : B = 2 : 1
- 12 Cap
- 13 Plug
- 14 HTE-M mixing nozzle for use with the Hilti HTE 50

1 General information

1.1 Safety notices and their meaning

DANGER

Draws attention to imminent danger that will lead to serious bodily injury or fatality.

WARNING

Draws attention to a potentially dangerous situation that could lead to serious personal injury or fatality.

CAUTION

Draws attention to a potentially dangerous situation that could lead to slight personal injury or damage to the equipment or other property.

NOTE

Draws attention to an instruction or other useful information.

1.2 Explanation of the pictograms and other information

Warning signs



General warning

Obligation signs



Wear protective clothing



Wear eye protection.



Wear protective gloves.

Symbols



Read the operating instructions before use.



Return waste material for recycling.



National waste material recycling system

Location of identification data on the tool

The type designation and serial number can be found on the type identification plate on the appliance. Make a note of this data in your operating instructions and always refer to it when making an enquiry to your Hilti representative or service department.

Type: _____

Generation: 01 _____

Serial no.: _____

2 Description

2.1 Use of the product as directed

The tool is designed to be used for dispensing the contents of Hilti HTE 50 two-component cartridges with a volume of 33 fl.oz.

The appliance is designed for professional use and may be operated, serviced and maintained only by trained, authorized personnel. This personnel must be informed of any special hazards that may be encountered. The ap-

pliance and its ancillary equipment may present hazards when used incorrectly by untrained personnel or when used not as directed.

Modification of the appliance or tampering with its parts is not permissible.

To avoid the risk of injury, use only genuine Hilti tools and accessories.

Observe the information printed in the operating instructions concerning operation, care and maintenance.

3 Technical data

Right of technical changes reserved.

Tool without cartridge

Weight (without mortar)	3.9 kg (138 oz)
Dimensions (L x W x H)	600 mm x 120 mm x 300 mm (23.6 x 4.7 x 11.8 ")
Input pressure	max. 8 bar (116 PSI)
Air consumption	max. 40 l/min. (10.57 gal./min.)
Pressure range	1.0 kN to 6.25 kN
Operating temperature	+5...+40°C (40 to +104°F)
Recommended transport and storage temperature	+0...+40°C (32° to +104°F)

4 Safety instructions

In addition to the information relevant to safety given in each of the sections of these operating instructions, the following points must be strictly observed at all times.

4.1 Requirements to be met by users

Stay alert, watch what you are doing and use common sense when working. Do not use the tool while tired or under the influence of drugs, alcohol or medication. A moment of inattention while operating tools may result in serious personal injury.

4.2 Proper organization of the workplace



- Ensure that the workplace is well ventilated.**
- Ensure that the workplace is well lit.**
- Keep the work area tidy. Any objects which may cause injury should be removed from the area.** Untidiness at the workplace can lead to accidents.

- d) **Keep children and other persons away from the area while the tool or appliance is in use.** Distractions can cause you to lose control.
- e) **Avoid unusual body positions.** Make sure you work from a safe stance and stay in balance at all times.
- f) **In order to avoid presenting a tripping hazard while working, always lead the compressed-air hose away to the rear of the tool.**
- g) **When working on a scaffold, the tool must be secured to prevent it falling.**

4.3 General safety instructions

- a) **Operate the tool only as intended and when it is in faultless condition.**
- b) **Always hold the machine securely with both hands on the grips provided. Keep the grips dry, clean and free from oil and grease.**
- c) **Never leave the appliance unattended.**
- d) **Avoid accidental starting. Disconnect the tool from the air supply during breaks between working, in the event of malfunctions and before cleaning.**
- e) **Never point the tool toward yourself or other persons.**
- f) **Always concentrate on your work. Think carefully about what you are doing and do not use the tool if you are unable to concentrate.**
- g) **Use only cartridges of a type designed and approved for use with the tool.**
- h) **Do not attempt to open or disassemble the tool.**
- i) **If the compressed-air hose is damaged, have it replaced by Hilti Service.**
- j) **Maintenance may be carried out only by Hilti Service.**
- k) **Do not use soiled or damaged cartridges.**

- l) **The front plate and piston plates must be kept clean and free from foreign matter.**
- m) **The mixer may be changed only when the cartridge is not under pressure (the piston advance button not pressed).**
- n) **The mixing nozzle must be changed if the mortar inside has hardened during a break between periods of use.**

4.4 Power tool use and care

- a) **The tool may be operated only when in faultless condition.**
- b) **Use only cartridges of a type approved for use with the tool.**
- c) **Do not use damaged cartridges.**
- d) **The tool must not be under pressure when changing the cartridge or the mixing nozzle.**
- e) **The cartridge holder and pistons must be clean and free from foreign matter.**
- f) **Do not attempt to open or disassemble the tool. Repairs may be carried out only by Hilti Service.**

4.5 Personal protective equipment



- a) **Wear personal protective equipment while the tool is in use: closely fitting protective glasses or face shield, protective gloves and protective clothing.** Wearing personal protective equipment reduces the risk of injury.
- b) **Persons in the immediate vicinity must also wear personal protective equipment while the tool is in use.**

5 Before use



WARNING

Risk of pinching the fingers! Keep your hands away from the area of the pressure pistons.

5.1 Connecting the compressed-air supply

NOTE

A set of connectors for connecting the tool to various compressed-air systems is available as an accessory.

DANGER

Do not exceed the maximum input pressure of 8 bar (116 PSI). The compressed air must be filtered and dry. Apply a drop of acid-free compressed-air oil to the inside of the compressed-air connector each day.

6 Operation

6.1 Preparing a cartridge for use 2

CAUTION

Read and observe the safety data sheet for the product before using it. Read the label and instructions for use of the product before using it. Check the expiry date on the cartridge label. Use of the product after the expiry date is not permissible.

CAUTION

The cartridge must be checked for damage if it has been dropped or subjected to a hard impact. Never use damaged cartridges.

CAUTION

When in use, the temperature of the cartridge must not fall below the minimum temperature given in the instructions for use of the product.

1. Remove the cap and the plug from the cartridge.
2. Screw the HTE-M mixing nozzle fully onto the thread on the cartridge.

NOTE A new mixing nozzle should be used with each new cartridge.

6.2 Inserting the cartridge in the tool 3

WARNING

Risk of pinching the fingers! Keep your hands away from the area of the pressure pistons.

1. Press the piston retraction button and allow the piston rods and pistons to retract fully.
2. Open the latch at the front end of the cartridge holder.
3. Grip the cartridge by the small cylinder and lay it vertically in the cartridge holder.
4. Close the latch.

6.3 Dispensing 4

DANGER

Never point the tool toward yourself or other persons.

CAUTION

The initial quantity of mortar dispensed is not suitable for use. The quantity that must be discarded is product-specific and is indicated in the applicable instructions for use. This initial quantity must also be discarded after changing a mixing nozzle.

WARNING

Begin dispensing mortar only after the mixer has been screwed on.

CAUTION

The tool / cartridge must not be under pressure when changing the mixing nozzle.

NOTE

Mortar in the mixing nozzle hardens if dispensing is interrupted for a long period. Screw on a new mixing nozzle when you wish to continue dispensing from the cartridge.

1. Adjust the regulating wheel to set the pressure required for the desired dispensing rate.

NOTE Eight settings between minimum and maximum are possible.

2. Press the trigger to begin dispensing the mortar.
3. Release the trigger when you wish to interrupt or stop dispensing.

NOTE The built-in rapid pressure compensation system reduces subsequent dripping of mortar from the dispenser to a minimum.

NOTE Please refer to the instructions for the cartridge for further information about use of the mortar.

6.4 Removing/changing the cartridge 5

WARNING

Risk of pinching the fingers! Keep your hands away from the area of the pressure pistons.

NOTE

Store partly-used cartridges with a mixing nozzle screwed on. Partly-used cartridges have a limited shelf life. Please refer to the instructions for use of the product.

1. Press the piston retraction button and allow the piston rods and pistons to retract.
2. Open the latch at the front end of the cartridge holder.
3. Grip the cartridge at the mixing nozzle and lift it out of the tool.
4. Close the latch.

6.5 Disposing of cartridges

CAUTION

Dispose of empty cartridges in accordance with the official national regulations.

For information about disposing of full, partly-used and completely empty cartridges, please refer to the instructions for use of the product or the applicable safety data sheets.

7 Care and maintenance

CAUTION

In order to prevent unintentional operation, disconnect the tool from the compressed-air supply and remove the mortar cartridge before cleaning the tool or before carrying out maintenance.

7.1 Care and maintenance of the tool

CAUTION

Keep the appliance, especially its grip surfaces, clean and free from oil and grease. Do not use cleaning agents which contain silicone.

Apply a few drops of acid-free compressed-air oil to the inside of the compressed-air connector each day.

Check the condition of the piston regularly and replace it if found to be worn or damaged.

Mortar adhering to the tool must be cleaned off with a cloth as quickly as possible before it hardens.

NOTE

Hardened mortar can be removed only by mechanical means. Take care to ensure that the tool is not damaged in the process.

Clean the outside of the tool at regular intervals with a slightly damp cloth. Do not use a spray, steam pressure cleaning equipment or running water for cleaning. Never dip or soak the tool or its parts in solvents.

7.2 Checking the tool after care and maintenance

After cleaning or carrying out maintenance, check that moving parts function faultlessly, that no parts are sticking, broken or damaged and that the tool operates faultlessly.

en

8 Troubleshooting

Fault	Possible cause	Remedy
The cartridge can't be inserted in the tool.	The piston rods are not fully retracted.	Press the piston retraction button. See section: 6.2 Inserting the cartridge in the tool 3
No mortar flows out of the mixing nozzle.	The cartridge has been inserted incorrectly.	Insert the cartridge correctly. See section: 6.2 Inserting the cartridge in the tool 3
	The compressed-air connection is faulty.	Check the compressed-air connection. See section: 5.1 Connecting the compressed-air supply
	The operating pressure is too low.	Use the regulating wheel to adjust the pressure. See section: 6.3 Dispensing 4
	The mortar has hardened in the mixing nozzle.	Unscrew the hardened mixing nozzle. Screw on a new mixing nozzle.
Inadequate flow of mortar from the mixing nozzle.	The cartridge is empty.	Insert a new cartridge.
	The mortar is too cold.	Observe the permissible application temperature range.
	The operating pressure is too low.	Use the regulating wheel to adjust the pressure. See section: 6.3 Dispensing 4
The cartridge cannot be removed from the tool.	Flow resistance is too high when a mixing nozzle extension is used.	Shorten the mixing nozzle extension.
	The piston rods are not fully retracted.	Press the piston retraction button. See section: 6.4 Removing/changing the cartridge 5

9 Disposal

CAUTION

Improper disposal of the equipment may have serious consequences: The burning of plastic components generates toxic fumes which may present a health hazard. Careless disposal may permit unauthorized and improper use of the equipment. This may result in serious personal injury, injury to third parties and pollution of the environment.

en



Most of the materials from which Hilti tools or appliances are manufactured can be recycled. The materials must be correctly separated before they can be recycled. In many countries, Hilti has already made arrangements for taking back old tools and appliances for recycling. Ask Hilti customer service or your Hilti representative for further information.

10 Manufacturer's warranty

Hilti warrants that the tool supplied is free of defects in material and workmanship. This warranty is valid so long as the tool is operated and handled correctly, cleaned and serviced properly and in accordance with the Hilti Operating Instructions, and the technical system is maintained. This means that only original Hilti consumables, components and spare parts may be used in the tool.

This warranty provides the free-of-charge repair or replacement of defective parts only over the entire lifespan of the tool. Parts requiring repair or replacement as a result of normal wear and tear are not covered by this warranty.

Additional claims are excluded, unless stringent national rules prohibit such exclusion. In particular, Hilti is not obligated for direct, indirect, incidental or consequential damages, losses or expenses in connection with, or by reason of, the use of, or inability to use the tool for any purpose. Implied warranties of merchantability or fitness for a particular purpose are specifically excluded.

For repair or replacement, send the tool or related parts immediately upon discovery of the defect to the address of the local Hilti marketing organization provided.

This constitutes Hilti's entire obligation with regard to warranty and supersedes all prior or contemporaneous comments and oral or written agreements concerning warranties.

11 EC declaration of conformity (original)

Designation:	dispenser
Type:	Hilti HTE-P 33
Year of design:	2010

We declare, on our sole responsibility, that this product complies with the following directives and standards: 2006/42/EC, 2009/105/EC, EN 12100.

**Hilti Corporation, Feldkircherstrasse 100,
FL-9494 Schaan**



Markus Messmer
Head of Quality, Processes & Software
Fastening & Protection Systems
03/2012



Raimund Zaggl
Executive Vice President
Head of BU Anchors
03/2012

Technical documentation filed at:

Hilti Entwicklungsgesellschaft mbH
Zulassung Elektrowerkzeuge
Hiltistrasse 6
86916 Kaufering
Deutschland

en



Hilti Corporation

LI-9494 Schaan

Tel.: +423/234 21 11

Fax: +423/234 29 65

www.hilti.com

Hilti = registered trademark of Hilti Corp., Schaan

W 4067 | 0913 | 00-Pos. 3 | 1

Printed in Germany © 2013

Right of technical and programme changes reserved S. E. & O.

428660 / A2

