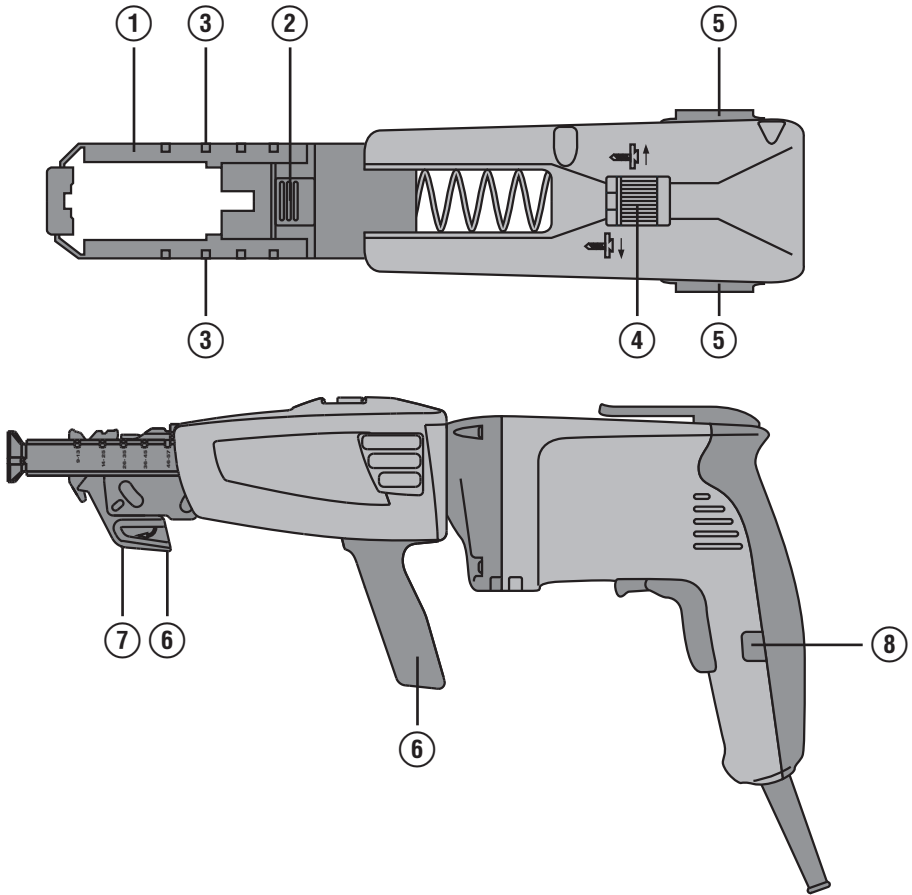
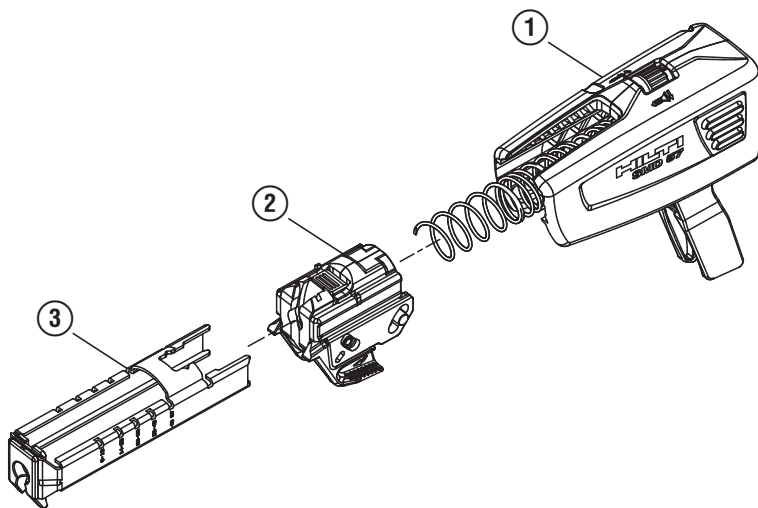


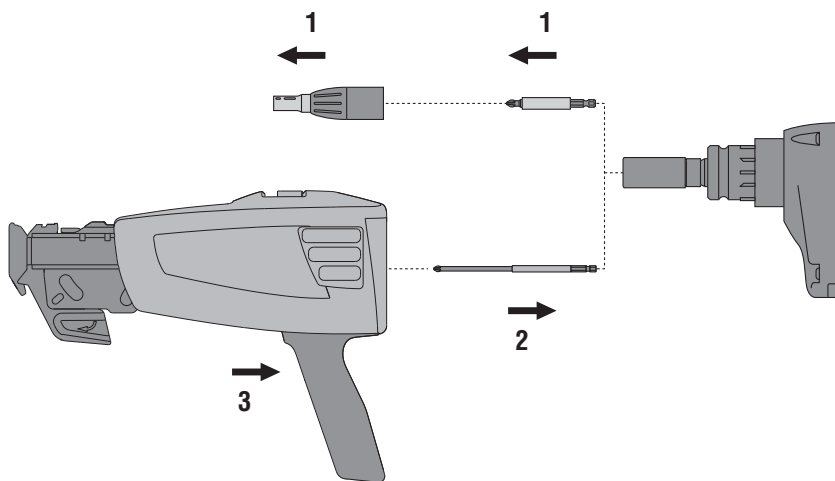
Bedienungsanleitung	de
Operating instructions	en
Mode d'emploi	fr
Manual de instrucciones	es
Istruzioni d'uso	it
Gebruiksaanwijzing	nl
Brugsanvisning	da
Bruksanvisning	no
Bruksanvisning	sv
Käyttöohje	fi
Manual de instruções	pt
Οδηγίες χρήσεως	el
Használati utasítás	hu
Návod k obsluze	cs
Návod na obsluhu	sk
Instrukcja obsługi	pl
Upute za uporabu	hr
Navodila za uporabo	sl
Ръководство за обслужване	bg
Инструкция по експлуатации	ru
Instrucțiuni de utilizare	ro
Lietošanas pamācība	lv
Instrukcija	lt
Kasutusjuhend	et
Kullanma Talimatı	tr
사용설명서	ko
操作説明書	zh
取扱説明書	ja



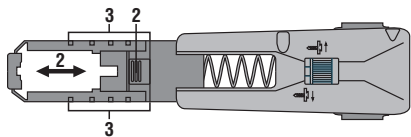
2



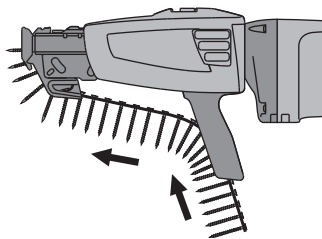
3



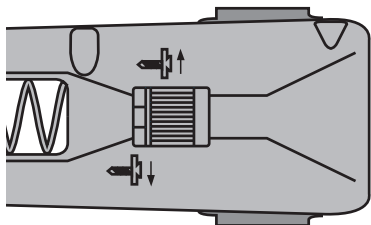
4



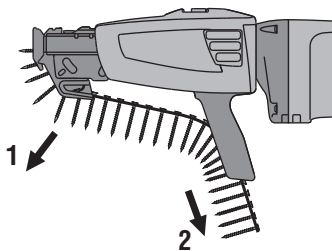
5



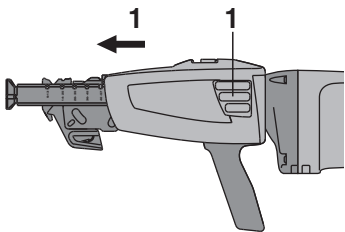
6



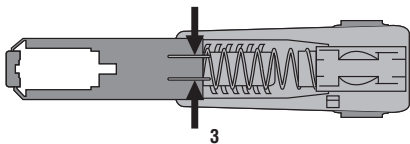
7



8



9



ORIGINAL OPERATING INSTRUCTIONS

SMD 57 magazine

en

It is essential that the operating instructions are read before the tool is operated for the first time.

Always keep these operating instructions together with the tool.

Ensure that the operating instructions are with the tool when it is given to other persons.

Contents	Page
1 General information	6
2 Description	7
3 Accessories	7
4 Spare parts	7
5 Technical data	8
6 Safety instructions	8
7 Before use	9
8 Operation	9
9 Care and maintenance	9
10 Disposal	10
11 Manufacturer's warranty - tools	10

❑ These numbers refer to the corresponding illustrations. The illustrations can be found on the fold-out cover pages. Keep these pages open while studying the operating instructions.

Operating controls and parts of the magazine ❑

- ❶ Depth gauge
- ❷ Screw length adjustment button
- ❸ Screw length marks
- ❹ Screwdriving depth adjustment thumbwheel
- ❺ Release buttons
- ❻ Strip guide
- ❼ Transport latch
- ❽ Lockbutton for sustained operation
- ❾ Strip release

1 General information

1.1 Safety notices and their meaning

DANGER

Draws attention to imminent danger that will lead to serious bodily injury or fatality.

WARNING

Draws attention to a potentially dangerous situation that could lead to serious personal injury or fatality.

CAUTION

Draws attention to a potentially dangerous situation that could lead to slight personal injury or damage to the equipment or other property.

NOTE

Draws attention to an instruction or other useful information.

1.2 Explanation of the pictograms and other information

Warning signs



General warning



Warning: electricity

Obligation signs



Wear eye protection



Wear a hard hat



Wear ear protection



Wear protective gloves

Symbols



Return waste material for recycling.



Read the operating instructions before use.

Location of identification data on the tool

The type designation and the serial number are stamped on the rear of the magazine. Make a note of this data in your operating instructions and always refer to it when making an enquiry to your Hilti representative or service department.

Type: _____

Serial no.: _____

en

2 Description

2.1 Use of the product as directed

The SMD 57 magazine is an accessory used for driving collated screws. The magazine is suitable for use with the Hilti SF 4000 / SF 4000-A / SD 2500 / SD 4500 / SD 5000 / SD 5000-A22 / SD 4500-A18 and SD 45 screwdrivers. The magazine and Hilti screwdrivers are optimally matched to each other.

In the safety rules in these operating instructions, the designation "power tool" refers to the magazine.

Modification of the power tool is not permissible.

Observe the information printed in the operating instructions concerning operation, care and maintenance.

To avoid the risk of injury, use only genuine Hilti accessories and insert tools.

The power tool and its ancillary equipment may present hazards when used incorrectly by untrained personnel or when used not as directed.

The power tool is designed for professional use and may be operated, serviced and maintained only by trained, authorized personnel. This personnel must be informed of any special hazards that may be encountered. The power tool and its ancillary equipment may present hazards when used incorrectly by untrained personnel or when used not as directed.

The working environment may be as follows: construction site, workshop, renovation, conversion or new construction.

Working on materials hazardous to the health (e.g. asbestos) is not permissible.

2.2 Items supplied as standard

- 1 Magazine
- 1 S-MBL 116 PH2 bit
- 1 Operating instructions
- 1 Cardboard box

3 Accessories

Designation

S-MBL 116 PH2 bit

SME extension

4 Spare parts

SMD 57 magazine 2

②	Magazine unit, complete	382905
③	Depth gauge	383002

5 Technical data

Right of technical changes reserved.

Magazine	SMD 57
Weight	Without screwdriver, Without screw strip: 0.35 kg
Length	186 mm
Contact pressure	to 40 N (4.0 kp)
Screw capacity (screws per strip)	50

Suitable drywall screw types	SMD 57
Length	9...57 mm
Thread inside diameter	3...4.5 mm
Head diameter	7.5...8.6 mm
Drive type	Phillips no. 2 (S-MBL 116 PH2)
Phillips no. 2 can be driven with the following Hilti screwdrivers	SF 4000 / SF 4000-A / SD 5000 / SD 2500 / SD 4500 / SD 5000-A22 / SD 4500-A18 / SD 45

6 Safety instructions

6.1 Personal safety

- Stay alert, watch what you are doing and use common sense when operating a power tool. Do not use a power tool while you are tired or under the influence of drugs, alcohol or medication.** A moment of inattention while operating power tools may result in serious personal injury.
- Use the power tool, accessories and tool bits etc. in accordance with these instructions, taking into account the working conditions and the work to be performed.** Use of the power tool for operations different from those intended could result in a hazardous situation.
- Maintain power tools. Check for misalignment or binding of moving parts, breakage of parts and any other condition that may affect the power tool's operation. If damaged, have the power tool repaired before use.** Many accidents are caused by poorly maintained power tools.
- Store idle power tools out of the reach of children and do not allow persons unfamiliar with the power tool or these instructions to operate the power tool.** Power tools are dangerous in the hands of untrained users.
- Dress properly. Do not wear loose clothing or jewellery. Keep your hair, clothing and gloves away from moving parts.** Loose clothes, jewellery or long hair can be caught in moving parts.
- Use personal protective equipment. Always wear eye protection.** Protective equipment such as dust mask, non-skid safety shoes, hard hat, or hearing

protection used for appropriate conditions will reduce personal injuries.

6.2 General safety rules



- Observe the operating instructions and the safety rules contained for the magazine and the screwdriver used.**
- Always work with the screwdriver running at maximum speed. Accordingly, use the switch lockbutton on the screwdriver.**
- Do not hold the SMD 57 magazine in the area of the depth gauge.**
- Each screwdriving stroke must be completed in full.** Interruption of the magazine stroke or release of pressure half way through the screwdriving operation may lead to malfunctions.
- Change the screw strip only when the screwdriver is switched off.**
- Wear eye protection, especially when working overhead.**
- Use only genuine Hilti S-MBL 116 PH2 bits. Check that the bits are in good condition.**
- Use only genuine Hilti screw strips and screws.**
- Always work at right angles to the surface of the workpiece to be fastened.**
- Store the screw strips in a straight position, as they are in the original package.**

7 Before use

7.1 Fitting the magazine to the screwdriver 3

CAUTION

Disconnect the screwdriver's supply cord from the electric supply before fitting the magazine.

1. Remove the depth gauge and bit holder from the screwdriver.

2. Fit the bit into the screwdriver.
NOTE The bit clicks into position.
3. Push the magazine onto the screwdriver in the desired working position until it is heard to engage.
NOTE The magazine can be engaged on the tool in various positions (every 15°).
NOTE Check to ensure that the screwdriver is set to "forward" rotation.

en

8 Operation

8.1 Screw length adjustment 4

1. Adjust the depth gauge to suit the length of the screws to be driven.
2. Press the button and slide the depth gauge back or forward.
3. Set the depth gauge to one of the 5 length marks corresponding to the length of the screws.
NOTE The correct screw length setting is very important for trouble-free magazine operation.

8.2 Inserting the screw strip 5

1. Slide the screw strip through the guide and the channel until the first screw is in position at the mark or until the end of the strip is flush with the upper surface of the magazine at the exit opening.
2. Check that the screw strip has engaged by trying to pull it back gently.

8.3 Setting the optimum screwdriving depth 6

1. Set the optimum screwdriving depth by turning the thumbwheel.
2. Turning the thumbwheel counterclockwise causes the screw to be driven deeper.

3. Drive a screw to test the screwdriving depth setting. Readjust the setting if necessary.
NOTE Each audible click of the thumbwheel corresponds to an adjustment of 0.2 mm (0.008 inch). Turning the thumbwheel clockwise causes the screw to be driven less deeply.

8.4 Moving the screw strip back 7

CAUTION

Disconnect the screwdriver's supply cord from the electric supply.

1. Release the strip retainer by pressing the transport latch.
2. Pull the screw strip back.
NOTE Alternatively, the screw strip can be pulled upwards, out of the magazine, without pressing the transport latch.

8.5 Removing the magazine from the screwdriver 8

CAUTION

Disconnect the screwdriver's supply cord from the electric supply before removing the magazine.

The magazine can be removed by pressing the release buttons and, at the same time, pulling it away from the screwdriver.

9 Care and maintenance

9.1 Care of the magazine

NOTE

Dirt and dust (especially from plaster) may have an adverse effect on operation of the magazine.

CAUTION

Do not, under any circumstances, lubricate the magazine with mineral oil / grease or graphite sprays. This would increase the risk of malfunctions.

Clean the magazine simply by blowing out the dirt and dust with compressed air.

9.1.1 Dismantling the magazine for cleaning after heavy use 9

NOTE

It is recommended that the magazine is cleaned by washing it out with warm water after a long period of heavy use.

1. Remove the screw strip as described in the section "Moving the screw strip back".
2. Remove the magazine as described in the section "Removing the magazine from the screwdriver".

3. Press the release spring together with the aid of pliers or a similar tool. The transport mechanism, including the depth gauge, can then be removed from the casing. You now have three assemblies in your hand: the transport mechanism, the pressure spring and the casing.
4. If necessary, the depth gauge can also be separated from the other parts by pulling it out while pressing the screw length adjustment button.
NOTE Take care to avoid pinching your fingers.
5. The parts can then be cleaned thoroughly with warm water.
NOTE We recommend use of a nylon brush (an old toothbrush) to remove stubborn deposits.

9.1.2 Assembly after cleaning

Assembly is carried out in the reverse order. Operate the transport movement once or twice to check that the magazine is functioning correctly after cleaning and reassembly.

10 Disposal



Most of the materials from which Hilti tools or appliances are manufactured can be recycled. The materials must be correctly separated before they can be recycled. In many countries, Hilti has already made arrangements for taking back old tools and appliances for recycling. Ask Hilti customer service or your Hilti representative for further information.

11 Manufacturer's warranty - tools

Hilti warrants that the tool supplied is free of defects in material and workmanship. This warranty is valid so long as the tool is operated and handled correctly, cleaned and serviced properly and in accordance with the Hilti Operating Instructions, and the technical system is maintained. This means that only original Hilti consumables, components and spare parts may be used in the tool.

This warranty provides the free-of-charge repair or replacement of defective parts only over the entire lifespan of the tool. Parts requiring repair or replacement as a result of normal wear and tear are not covered by this warranty.

Additional claims are excluded, unless stringent national rules prohibit such exclusion. In particular, Hilti is not obligated for direct, indirect, incidental or consequential damages, losses or expenses in connection with, or by reason of, the use of, or inability to use the tool for any purpose. Implied warranties of merchantability or fitness for a particular purpose are specifically excluded.

For repair or replacement, send the tool or related parts immediately upon discovery of the defect to the address of the local Hilti marketing organization provided.

This constitutes Hilti's entire obligation with regard to warranty and supersedes all prior or contemporaneous comments and oral or written agreements concerning warranties.



Hilti Corporation

LI-9494 Schaan

Tel.: +423 / 234 21 11

Fax: +423 / 234 29 65

www.hilti.com

Hilti = registered trademark of Hilti Corp., Schaan

W 3197 | 1212 | 00-Pos. 1 | 1

Printed in Liechtenstein © 2012

Right of technical and programme changes reserved S. E. & O.

273157 / A2



273157