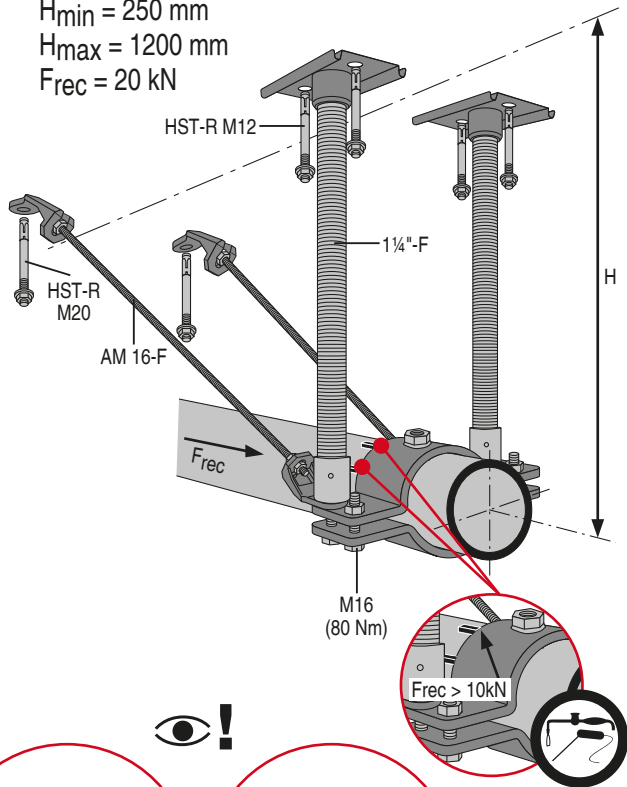


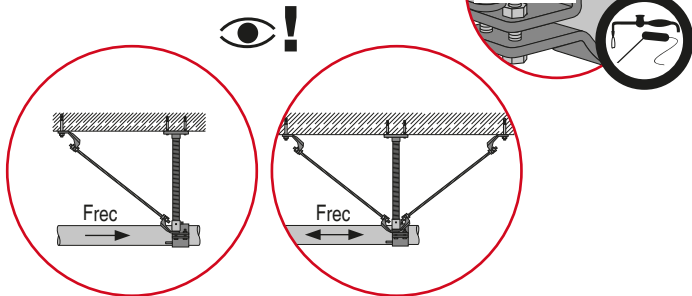
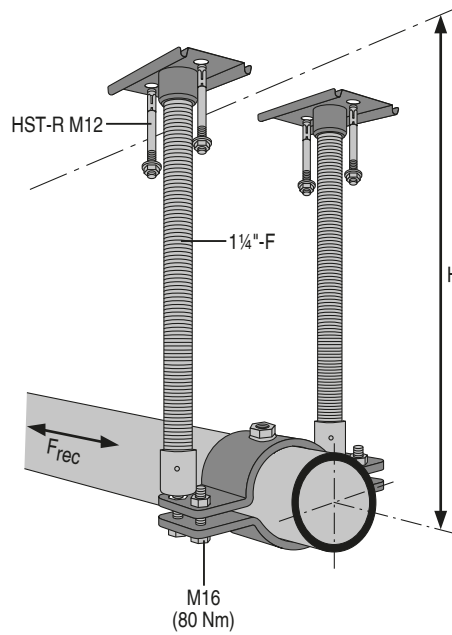
MFP 3-F

$H_{min} = 250 \text{ mm}$
 $H_{max} = 1200 \text{ mm}$
 $F_{rec} = 20 \text{ kN}$



MFP 3a-F

$H_{min} = 140 \text{ mm}$
 $H_{max} = 800 \text{ mm}$
 $F_{rec} [\text{kN}] = 960 \text{ Nm/H} [\text{mm}] \leq 6 \text{ kN}$



MFP 3-F	MFP 3a-F
MFP-NW ...-F 	
MFP-BP 16-F # 304255 	
MFP-AP 2D-F # 304254 	
2x 1 1/4\"-F # 304783 	
2x AM 16-F # 304777 	
4x HST-R M12/20 # 435454 	
2x HST-R M20/30 # 376056 	
SW 19, SW 24, SW 30 	SW 19, SW 24

