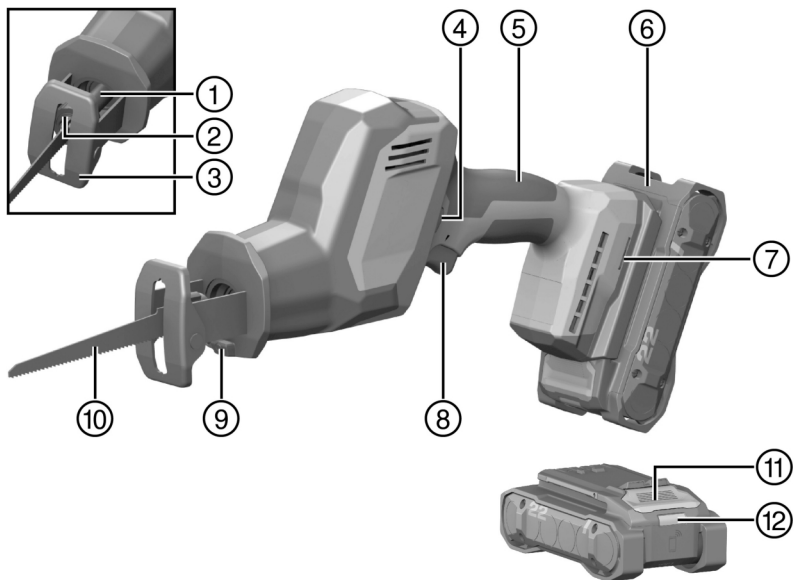


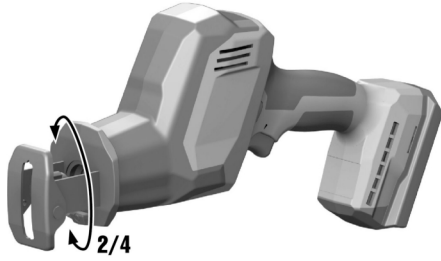
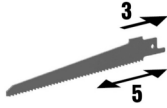
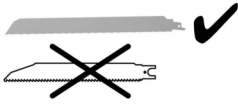


English	1
Français	12
Dansk	24
Svenska	36
Norsk	47
Suomi	59
Eesti	71
Latviešu	82
Lietuvių	94
Русский	106
Українська	120
Қазақ	134
Türkçe	147
عربي	160
日本語	173
한국어	184
繁體中文	195
中文	205

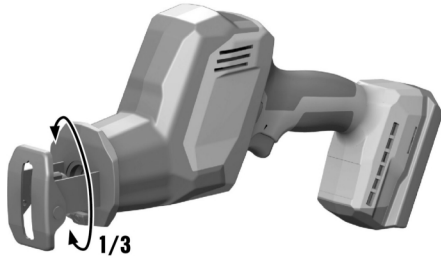
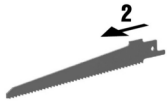
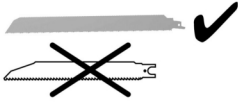
SR 4-22 (02)



2



3



# SR 4-22

en	Original operating instructions	1
fr	Mode d'emploi original	12
da	Original brugsanvisning	24
sv	Originalbruksanvisning	36
no	Original bruksanvisning	47
fi	Alkuperäiset ohjeet	59
et	Originaalkasutusjuhend	71
lv	Originālā lietošanas instrukcija	82
lt	Originali naudojimo instrukcija	94
ru	Перевод оригинального руководства по эксплуатации	106
uk	Оригінальна інструкція з експлуатації	120
kk	Түпнұсқа пайдалану бойынша нұсқаулық	134
tr	Orijinal kullanım kılavuzu	147
ar	دليل الاستعمال الأصلي	160
ja	オリジナル取扱説明書	173
ko	오리지널 사용 설명서	184
zh	原始操作說明	195
cn	原版操作说明	205

# Original operating instructions

## 1 Information about the operating instructions

### 1.1 About these operating instructions

- **Warning!** Read and understand all accompanying documentation, including but not limited to instructions, safety warnings, illustrations, and specifications provided with this product. Familiarize yourself with all the instructions, safety warnings, illustrations, specifications, components, and functions of the product before use. Failure to do so may result in electric shock, fire, and/or serious injury. Save all warnings and instructions for future reference.
- products are designed for professional users and only trained, authorized personnel are permitted to operate, service and maintain the products. This personnel must be specifically informed about the possible hazards. The product and its ancillary equipment can present hazards if used incorrectly by untrained personnel or if used not in accordance with the intended use.
- The accompanying documentation corresponds to the current state of the art at the time of printing. Please always check for the latest version on the product's page on Hilti's website. To do this, follow the link or scan the QR code in this documentation, marked with the symbol .
- Ensure that these operating instructions are with the product when it is given to other persons.

### 1.2 Explanation of symbols

#### 1.2.1 Warnings

Warnings alert persons to hazards that occur when handling or using the product. The following signal words are used:

**DANGER**

**DANGER !**

- ▶ Draws attention to imminent danger that will lead to serious personal injury or fatality.

**WARNING**

**WARNING !**

- ▶ Draws attention to a potential threat of danger that can lead to serious injury or fatality.

**CAUTION**

**CAUTION !**

- ▶ Draws attention to a potentially dangerous situation that could lead to personal injury or damage to the equipment or other property.

#### 1.2.2 Symbols in the operating instructions

The following symbols are used in these operating instructions:

	Comply with the operating instructions
	Instructions for use and other useful information
	Dealing with recyclable materials
	Do not dispose of electric equipment and batteries as household waste
	<b>Hilti</b> Li-ion battery
	<b>Hilti</b> charger

#### 1.2.3 Symbols in illustrations

The following symbols are used in illustrations:

- 2** These numbers refer to the illustrations at the beginning of these operating instructions.



3	The numbering reflects the sequence of operations shown in the illustrations and may deviate from the steps described in the text.
	Item reference numbers are used in the <b>overview illustration</b> and refer to the numbers used in the key in the <b>product overview</b> section.
	These characters are intended to specifically draw your attention to certain points when handling the product.

### 1.3 Product-dependent symbols

#### 1.3.1 Symbols on the product

The following symbols can be used on the product:

RPM	Strokes per minute
$n_0$	Stroke rate under no load
— — —	Direct current (DC)
	The product supports near-field communication (NFC) technology compatible with iOS and Android platforms.
Li-Ion	Li-ion battery
	Never use the battery as a striking tool.
	Do not drop the battery. Never use a battery that has suffered an impact or is damaged in any other way.

## 2 Safety

### 2.1 General power tool safety warnings

**⚠ WARNING** Read all safety warnings, instructions, illustrations and specifications provided with this power tool. Failure to follow all instructions listed below may result in electric shock, fire and/or serious injury. **Save all warnings and instructions for future reference.**

The term "power tool" in the warnings refers to your mains-operated (corded) power tool or battery-operated (cordless) power tool.

#### Work area safety

- ▶ **Keep work area clean and well lit.** Cluttered or dark areas invite accidents.
- ▶ **Do not operate power tools in explosive atmospheres, such as in the presence of flammable liquids, gases or dust.** Power tools create sparks which may ignite the dust or fumes.
- ▶ **Keep children and bystanders away while operating a power tool.** Distractions can cause you to lose control.

#### Electrical safety

- ▶ **Power tool plugs must match the outlet. Never modify the plug in any way. Do not use any adapter plugs with earthed (grounded) power tools.** Unmodified plugs and matching outlets will reduce risk of electric shock.
- ▶ **Avoid body contact with earthed or grounded surfaces, such as pipes, radiators, ranges and refrigerators.** There is an increased risk of electric shock if your body is earthed or grounded.
- ▶ **Do not expose power tools to rain or wet conditions.** Water entering a power tool will increase the risk of electric shock.
- ▶ **Do not abuse the cord. Never use the cord for carrying, pulling or unplugging the power tool. Keep cord away from heat, oil, sharp edges or moving parts.** Damaged or entangled cords increase the risk of electric shock.
- ▶ **When operating a power tool outdoors, use an extension cord suitable for outdoor use.** Use of a cord suitable for outdoor use reduces the risk of electric shock.
- ▶ **If operating a power tool in a damp location is unavoidable, use a residual current device (RCD) protected supply.** Use of an RCD reduces the risk of electric shock.



### Personal safety

- ▶ **Stay alert, watch what you are doing and use common sense when operating a power tool. Do not use a power tool while you are tired or under the influence of drugs, alcohol or medication.** A moment of inattention while operating power tools may result in serious personal injury.
- ▶ **Use personal protective equipment. Always wear eye protection.** Protective equipment such as a dust mask, non-skid safety shoes, hard hat or hearing protection used for appropriate conditions will reduce personal injuries.
- ▶ **Prevent unintentional starting. Ensure the switch is in the off-position before connecting to power source and/or battery pack, picking up or carrying the tool.** Carrying power tools with your finger on the switch or energising power tools that have the switch on invites accidents.
- ▶ **Remove any adjusting key or wrench before turning the power tool on.** A wrench or a key left attached to a rotating part of the power tool may result in personal injury.
- ▶ **Do not overreach. Keep proper footing and balance at all times.** This enables better control of the power tool in unexpected situations.
- ▶ **Dress properly. Do not wear loose clothing or jewellery. Keep your hair and clothing away from moving parts.** Loose clothes, jewellery or long hair can be caught in moving parts.
- ▶ **If devices are provided for the connection of dust extraction and collection facilities, ensure these are connected and properly used.** Use of dust collection can reduce dust-related hazards.
- ▶ **Do not let familiarity gained from frequent use of tools allow you to become complacent and ignore tool safety principles.** A careless action can cause severe injury within a fraction of a second.

### Power tool use and care

- ▶ **Do not force the power tool. Use the correct power tool for your application.** The correct power tool will do the job better and safer at the rate for which it was designed.
- ▶ **Do not use the power tool if the switch does not turn it on and off.** Any power tool that cannot be controlled with the switch is dangerous and must be repaired.
- ▶ **Disconnect the plug from the power source and/or remove the battery pack, if detachable, from the power tool before making any adjustments, changing accessories, or storing power tools.** Such preventive safety measures reduce the risk of starting the power tool accidentally.
- ▶ **Store idle power tools out of the reach of children and do not allow persons unfamiliar with the power tool or these instructions to operate the power tool.** Power tools are dangerous in the hands of untrained users.
- ▶ **Maintain power tools and accessories. Check for misalignment or binding of moving parts, breakage of parts and any other condition that may affect the power tool's operation. If damaged, have the power tool repaired before use.** Many accidents are caused by poorly maintained power tools.
- ▶ **Keep cutting tools sharp and clean.** Properly maintained cutting tools with sharp cutting edges are less likely to bind and are easier to control.
- ▶ **Use the power tool, accessories and tool bits etc. in accordance with these instructions, taking into account the working conditions and the work to be performed.** Use of the power tool for operations different from those intended could result in a hazardous situation.
- ▶ **Keep handles and grasping surfaces dry, clean and free from oil and grease.** Slippery handles and grasping surfaces do not allow for safe handling and control of the tool in unexpected situations.

### Battery tool use and care

- ▶ **Recharge only with the charger specified by the manufacturer.** A charger that is suitable for one type of battery pack may create a risk of fire when used with another battery pack.
- ▶ **Use power tools only with specifically designated battery packs.** Use of any other battery packs may create a risk of injury and fire.
- ▶ **When battery pack is not in use, keep it away from other metal objects, like paper clips, coins, keys, nails, screws or other small metal objects, that can make a connection from one terminal to another.** Shorting the battery terminals together may cause burns or a fire.
- ▶ **Under abusive conditions, liquid may be ejected from the battery; avoid contact. If contact accidentally occurs, flush with water. If liquid contacts eyes, additionally seek medical help.** Liquid ejected from the battery may cause irritation or burns.
- ▶ **Do not use a battery pack or tool that is damaged or modified.** Damaged or modified batteries may exhibit unpredictable behaviour resulting in fire, explosion or risk of injury.
- ▶ **Do not expose a battery pack or tool to fire or excessive temperature.** Exposure to fire or temperature above 130° C (265 °F) may cause explosion.
- ▶ **Follow all charging instructions and do not charge the battery pack or tool outside the temperature range specified in the instructions.** Charging improperly or at temperatures outside the specified range may damage the battery and increase the risk of fire.



**Service**

- ▶ **Have your power tool serviced by a qualified repair person using only identical replacement parts.** This will ensure that the safety of the power tool is maintained.
- ▶ **Never service damaged battery packs.** Service of battery packs should only be performed by the manufacturer or authorized service providers.

**2.2 Safety instructions for reciprocating saws**

- ▶ **Hold the power tool by insulated gripping surfaces, when performing an operation where the cutting accessory may contact hidden wiring.** Cutting accessory contacting a "live" wire may make exposed metal parts of the power tool "live" and could give the operator an electric shock.
- ▶ **Use clamps or another practical way to secure and support the workpiece to a stable platform.** Holding the workpiece by hand or against your body leaves it unstable and may lead to loss of control.

**2.3 Additional safety instructions**

- ▶ Use the product and accessories only when they are in perfect working order.
- ▶ Never tamper with or modify the product or accessories in any way.
- ▶ Dust produced by grinding, sanding, cutting and drilling can contain dangerous chemicals. Some examples are: lead or lead-based paints; brick, concrete and other masonry products, natural stone and other products containing silicates; certain types of wood, such as oak, beech and chemically treated wood; asbestos or materials that contain asbestos. Determine the exposure of the operator and bystanders by means of the hazard classification of the materials to be worked. Implement the necessary measures to restrict exposure to a safe level, for example by the use of a dust collection system or by the wearing of suitable respiratory protection. The general measures for reducing exposure include:
  - ▶ working in an area that is well ventilated,
  - ▶ avoidance of prolonged contact with dust,
  - ▶ directing dust away from the face and body,
  - ▶ wearing protective clothing and washing exposed areas of the skin with water and soap.
- ▶ Risk of injury by falling tools and/or accessories. Before starting work, check that installed accessories are secure.
- ▶ Keep the air vents clear at all times. Risk of burn injuries due to blocked air vents!
- ▶ Take frequent breaks and do physical exercises to improve the blood circulation in your fingers. High vibration during long periods of work can lead to disorders of the blood vessels and nervous system in the fingers, hands and wrists.
- ▶ Do not attach a belt hook to this product.
- ▶ Do not look directly into the light source (LED) of the product and do not aim the beam at other persons' faces. Risk of dazzling or eye damage.
- ▶ The user and persons in the vicinity must wear suitable eye protection, hard hat, ear protection, protective gloves and light respiratory protection while the product is in use.
- ▶ Flying fragments can injure the body and eyes. Wear personal protective equipment and always wear eye protection and protective gloves.
- ▶ Wear protective gloves when changing the accessory tool. Touching the accessory tool can result in cuts and burns.
- ▶ Keep your hands away from the cutting area and the blade. Whenever necessary as support, hold the product with your other hand on the motor housing. When both hands are on the saw they cannot be injured by it.
- ▶ Wait until the product has come to a complete stop before you lay it down.
- ▶ Do not use dull or damaged blades. These cause increased friction and present a high risk of the saw blade binding or kicking back.
- ▶ Secure the workpiece in a sturdy holder. Never hold the workpiece with your hand or across your leg.
- ▶ Switch the product on only after bringing it to the working position.
- ▶ When working with the product, always guide it away from your body.
- ▶ Do not reach underneath the workpiece.
- ▶ Apply only moderate pressure and cut at an appropriate speed, especially when cutting large-diameter pipes. This will help to prevent the product overheating.
- ▶ Always use a saw blade of appropriate length. The saw blade must over the workpiece while the complete Hubs stroke.





- ▶ Never cut into unknown materials and make sure the path of the saw is free of obstructions above and below the workpiece.
  - ▶ The product can kick back if the saw blade comes into contact with an obstructing object.
- ▶ Bring your arms into a position in which you can absorb the kickback forces.
- ▶ The product must be pressed against the workpiece until the contact shoe makes firm contact. This ensures optimum and safe progress as you work.
- ▶ Position yourself off to one side of the blade, never bring the blade into line with your body. The saw can jump backward toward you if kickback occurs!
- ▶ If the saw blade binds or when you interrupt work for any reason, switch off the saw and hold it motionless in the material until the saw blade comes to a complete stop. Never attempt to remove the saw from the workpiece or pull the saw back while the blade is in motion, as otherwise the saw could kick back.
- ▶ When restarting a saw in the workpiece, center the saw blade in the kerf and check that saw teeth are not in engagement with the workpiece.
- ▶ Use extra caution when sawing into walls or other blind areas. As it enters the material the blade might encounter a hidden obstruction, resulting in kickback.
- ▶ Engage the transport lock before storing or transporting the product.
- ▶ Comply with the manufacturer's instructions for handling and storing saw blades.
- ▶ If work involves break-through, always secure the area on the side opposite where the work is carried out.
- ▶ Before beginning work, check the working area for concealed electric cables or gas and water pipes. External metal parts of the product could give you an electric shock or cause an explosion if you accidentally damage an electric cable or a gas or water pipe.
- ▶ When cutting through pipes, hold the product above the level of the pipe you are cutting through.
  - ▶ The product is not protected against ingress of moisture. Liquid running out of a pipe can cause a short circuit in the product.
- ▶ Before cutting through pipes, make sure that they are empty of medium. Drain the pipes if necessary.

## 2.4 Careful handling and use of batteries

- ▶ **Comply with the following safety instructions for the safe handling and use of Li-ion batteries.** Failure to comply can lead to skin irritation, severe corrosive injury, chemical burns, fire and/or explosion.
- ▶ Use only batteries that are in perfect working order.
- ▶ Treat batteries with care in order to avoid damage and prevent leakage of fluids that are extremely harmful to health!
- ▶ Do not under any circumstances modify or tamper with batteries!
- ▶ Do not disassemble, crush or incinerate batteries and do not subject them to temperatures over 80 °C (176 °F).
- ▶ Never use or charge a battery that has suffered an impact or been damaged in any other way. Check your batteries regularly for signs of damage.
- ▶ Never use recycled or repaired batteries.
- ▶ Never use the battery or a battery-operated power tool as a striking tool.
- ▶ Never expose batteries to the direct rays of the sun, elevated temperature, sparking, or open flame. This can lead to explosions.
- ▶ Do not touch the battery poles with your fingers, tools, jewelry, or other electrically conductive objects. This can damage the battery and also cause material damage and personal injury.
- ▶ Keep batteries away from rain, moisture and liquids. Penetrating moisture can cause short circuits, electric shock, burns, fire and explosions.
- ▶ Use only chargers and power tools approved for the specific battery type. Read and follow the relevant operating instructions.
- ▶ Do not use or store the battery in explosive environments.
- ▶ If the battery is too hot to touch, it may be defective. Put the battery in a place where it is clearly visible and where there is no risk of fire, at an adequate distance from flammable materials. Allow the battery to cool down. If it is still too hot to touch after an hour, the battery is faulty. Consult **Hilti** Service or read the document entitled "Instructions on safety and use for **Hilti** Li-ion batteries".

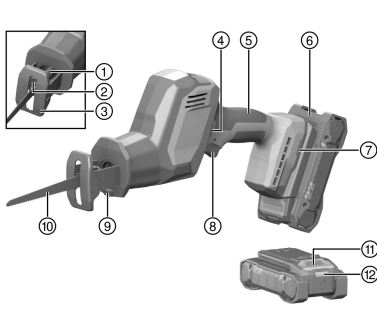


Observe the special guidelines applicable to the transport, storage and use of lithium-ion batteries. Read the instructions on safety and use of **Hilti** Li-ion batteries that you can access by scanning the QR code at the end of these operating instructions.



### 3 Description

#### 3.1 Product overview



- ① Locking sleeve for saw blade
- ② Tool holder for saw blade
- ③ Contact shoe
- ④ Transport lock
- ⑤ Grip
- ⑥ Battery
- ⑦ Installation opening for accessories
- ⑧ Control switch
- ⑨ Work-area light (LED)
- ⑩ Saw blade
- ⑪ Battery release button
- ⑫ Battery status indicator

#### 3.2 Intended use

The product described is a cordless reciprocating saw. It is designed for cutting wood, wood-like materials, metals, brick and plastics.

The product is designed for one-handed operation.

- For this product, use only **Hilti** Nuron lithium-ion batteries of the B 22 series. For optimum performance, **Hilti** recommends the batteries stated in the table at the end of these operating instructions for this product.
- For these batteries, use only **Hilti** chargers of the type series stated in the table at the end of these operating instructions.

#### 3.3 Possible misuse

- ▶ Do not use the power tool to cut concrete, cellular concrete, natural stone or ceramic tiles.
- ▶ Do not use the product to cut pipes containing liquids.
- ▶ Do not saw into unknown materials.

#### 3.4 Items supplied

Reciprocating saw, operating instructions.

Other system products approved for use with this product can be found at your local **Hilti Store** or at: [www.hilti.group](http://www.hilti.group)

#### 3.5 Status indicators of the Li-ion battery

**Hilti** Nuron Li-ion batteries can indicate state of charge, fault messages and the battery's state of health.

##### 3.5.1 Indicators for state of charge and fault messages

#### WARNING

##### Risk of injury by a falling battery!

- ▶ If the release button is pressed with a battery inserted in the product, subsequently check that the battery is correctly re-engaged and secure.

Short-press the release button of the battery to get whichever of the following status indications is applicable at the time.

State of charge and, if applicable, faults are indicated constantly as long as the connected product is switched on.

Status	Meaning
Four (4) LEDs show constantly green	State of charge: 100 % to 71 %
Three (3) LEDs show constantly green	State of charge: 70 % to 51 %
Two (2) LEDs show constantly green	State of charge: 50 % to 26 %



Status	Meaning
One (1) LED shows constantly green	State of charge: 25 % to 10 %
One (1) LED slow-flashes green	State of charge: < 10 %
One (1) LED quick-flashes green	The Li-ion battery is completely discharged. Recharge the battery. If the LED again starts quick-flashing after the battery has been charged, consult <b>Hilti Service</b> .
One (1) LED quick-flashes yellow	The Li-ion battery or the product in which it is inserted is overloaded, too hot or too cold, or experiencing some other fault. Bring the product and the battery to the recommended working temperature and do not overload the product when it is in use. If the message persists, consult <b>Hilti Service</b> .
One (1) LED shows yellow	The Li-ion battery and the product in which it is inserted are not compatible. Consult <b>Hilti Service</b> .
One (1) LED quick-flashes red	The Li-ion battery is locked and cannot be used. Consult <b>Hilti Service</b> .

### 3.5.2 Indicators showing the battery's state of health

To check the battery's state of health, press the release button and hold it down for longer than three seconds. The system does not detect a potential malfunction of the battery due to misuse, for example battery dropped or pierced, external heat damage, etc.

Status	Meaning
All LEDs show in sequence, followed by one (1) LED showing constantly green.	The battery can remain in use.
All LEDs show in sequence, followed by one (1) LED quick-flashing yellow.	The check to ascertain the battery's state of health did not complete. Repeat the procedure, or consult <b>Hilti Service</b> .
All LEDs show in sequence, followed by one (1) LED showing constantly red.	If a connected product can still be used, the remaining battery capacity is below 50 %. If a connected product can no longer be used, the battery has reached the end of its useful life and has to be replaced. Consult <b>Hilti Service</b> .

## 4 Technical data

### 4.1 Reciprocating saw

	SR 4-22
Product generation	02
Rated voltage	21.6 V
Weight in accordance with EPTA Procedure 01, without battery	2 kg
Stroke rate	0 /min ... 3,000 /min
Stroke length	23.2 mm
Keyless chuck for standard accessory tools	1/2 in
Storage temperature	-20 °C ... 70 °C
Ambient temperature for operation	-17 °C ... 60 °C

### 4.2 Battery

Battery operating voltage	21.6 V
Weight, battery	See the end of these operating instructions



<b>Ambient temperature for operation</b>	-17 °C ... 60 °C
<b>Storage temperature</b>	-20 °C ... 40 °C
<b>Battery charging starting temperature</b>	-10 °C ... 45 °C

### 4.3 Noise information and vibration values

The sound pressure and vibration values given in these instructions were measured in accordance with a standardized test and can be used to compare one power tool with another. They can also be used for a preliminary assessment of exposure.

The data given represent the main applications of the power tool. However, if the power tool is used for different applications, with different accessory tools, or is poorly maintained, the data can vary. This can significantly increase exposure over the total working period.

An accurate estimation of exposure should also take into account the times when the power tool is switched off, or when it is running but not actually being used for a job. This can significantly reduce exposure over the total working period.

Identify additional safety measures to protect the operator from the effects of noise and/or vibration, for example: maintaining the power tool and accessory tools, keeping the hands warm, organization of work patterns.

Detailed information on the versions of the **EN 62841** standards applied here is to be found in the reproduction of the declaration of conformity 218.

#### Noise information

	<b>SR 4-22</b>
<b>Sound power level (<math>L_{WA}</math>)</b>	95 dB(A)
<b>Uncertainty for the sound power level (<math>K_{WA}</math>)</b>	5 dB(A)
<b>Sound pressure level (<math>L_{pA}</math>)</b>	87 dB(A)
<b>Uncertainty for the sound pressure level (<math>K_{pA}</math>)</b>	5 dB(A)

#### Vibration information

<b>Vibration emission value for sawing chipboard (<math>a_{h,B}</math>)</b>	<b>B 22-55</b>	12.8 m/s <sup>2</sup>
	<b>B 22-85</b>	11.1 m/s <sup>2</sup>
<b>Vibration emission value for sawing wooden beams (<math>a_{h,WB}</math>)</b>	<b>B 22-55</b>	11.5 m/s <sup>2</sup>
	<b>B 22-85</b>	12.2 m/s <sup>2</sup>
<b>Uncertainty (K)</b>		1.5 m/s <sup>2</sup>

## 5 Operation

### 5.1 Charging the battery

1. Before charging the battery, read the operating instructions for the charger.
2. Make sure that the contacts on the battery and the contacts on the charger are clean and dry.
3. Use an approved charger to charge the battery. 6

### 5.2 Inserting the battery

#### **WARNING**

##### **Risk of injury by short circuit or falling battery!**

- ▶ Before inserting the battery, make sure that the contacts on the battery and the contacts on the product are free of foreign matter.
- ▶ Make sure that the battery always engages correctly.

1. Charge the battery fully before using it for the first time.
2. Push the battery into the product until it engages with an audible click.
3. Check that the battery is seated securely.



### 5.3 Removing the battery

1. Press the battery release button.
2. Remove the battery from the product.

### 5.4 Fall arrest

#### WARNING

**Risk of injury** by falling tool and/or accessory!

- ▶ Use only the **Hilti** tool tether recommended for your product.
- ▶ Prior to each use, always check the attachment point of the tool tether for possible damage.



Comply with the national regulations for working at heights.

As drop arrester for this product, use only a combination of the **Hilti** retaining strap #2293133 and the **Hilti** tool tether #2261970.

- ▶ Secure the retaining strap to the installation openings for accessories. Check that it holds securely.
- ▶ Secure one carabiner of the tool tether to the retaining strap and secure the second carabiner to a load-bearing structure. Check that both carabiners hold securely.



Comply with the operating instructions of the **Hilti** retaining strap and those of the **Hilti** tool tether.

### 5.5 Inserting the saw blade



Use only saw blades with a 1/2" connection end.

1. Check that the connection end of the accessory tool is clean and lightly greased. Clean and grease the connection end if necessary.
2. Turn the tool holder locking sleeve counterclockwise and hold it in this position.
3. Push the saw blade into the tool holder from in front of the tool.
4. Release the locking sleeve and allow it to click back and engage in its original position.
5. Grip and pull the saw blade to check that it is locked in position.

### 5.6 Removing the saw blade

#### CAUTION

**Risk of injury!** The accessory tool may be hot and/or have sharp edges.

- ▶ Wear protective gloves when changing the accessory tool.
- ▶ Never lay down a hot accessory tool on a flammable surface.

1. Turn the tool holder locking sleeve counterclockwise and hold it in this position.
2. Pull the blade forward out of the tool holder.
3. Release the locking sleeve and allow it to move back to its original position.

## 6 Operation

Observe the safety instructions and warnings in this documentation and on the product.

### 6.1 Sawing

#### WARNING

**Risk of injury due to saw run-on !**

- ▶ Do not lift the product away from the workpiece until it has stopped completely.
- ▶ Wait until the product stops completely before you lay it down.



1. Disengage the transport lock and press the control switch.
2. Release the control switch when you finish the cut.
3. Engage the transport lock.

## 7 Care and maintenance

---

### WARNING

#### **Risk of injury with battery inserted !**

- ▶ Always remove the battery before carrying out care and maintenance tasks!
- 

#### **Care of the product**


- Carefully remove stubborn dirt.
- Carefully clean the air vents, if present, with a dry, soft brush.
- Use only a slightly damp cloth to clean the housing. Do not use cleaning agents containing silicone as these can attack the plastic parts.
- Clean and lubricate the tool holder from the outside at regular intervals. Use the **Hilti** spray 314648 for this purpose.
- Use a dry, clean cloth to clean the contacts of the product.

#### **Care of the lithium-ion batteries**

- Never use a battery with clogged air vents. Clean the air vents carefully using a dry, soft brush.
- Avoid unnecessary exposure of the battery to dust and dirt. Never expose the battery to high levels of moisture (e.g. by being dipped in water or left in the rain).  
If a battery has been soaked by moisture, treat it as a damaged battery. Isolate it in a non-flammable container and consult **Hilti** Service.
- Keep the battery free of extraneous oil and grease. Do not permit dust or dirt to accumulate unnecessarily on the battery. Clean the battery with a dry, soft brush or a clean, dry cloth. Do not use cleaning agents containing silicone as these can attack the plastic parts.  
Do not touch the contacts of the battery and do not remove the factory-applied grease from the contacts.
- Use only a slightly damp cloth to clean the housing. Do not use cleaning agents containing silicone as these can attack the plastic parts.

#### **Maintenance**

- Check all visible parts and controls for signs of damage at regular intervals and make sure that they all function correctly.
  - Do not use the product if signs of damage are found or if parts malfunction. Immediately have the product repaired by **Hilti** Service.
  - After cleaning and maintenance, install all guards and protective devices and check that they are in full working order.
- 

-  To help ensure safe and reliable operation, use only genuine Hilti spare parts and consumables. Spare parts, consumables and accessories approved by **Hilti** for use with your product can be found at your **Hilti Store** or online at: [www.hilti.group](http://www.hilti.group)
- 

## 8 Transport and storage

---

#### **Transport of cordless power tools and batteries**

### CAUTION

#### **Accidental starting during transport !**

- ▶ Always transport your products with the batteries removed!
- 
- ▶ Remove the battery/batteries.
  - ▶ Never transport batteries loose and unprotected. During transport, batteries should be protected from excessive shock and vibration and isolated from any conductive materials or other batteries that may come in contact with the terminals and cause a short circuit. **Comply with the locally applicable regulations for transporting batteries.**
  - ▶ Do not send batteries through the mail. Consult your shipper for instructions on how to ship undamaged batteries.
  - ▶ Prior to each use and before and after prolonged transport, check the product and the batteries for damage.



## Storage of cordless power tools and batteries

### WARNING

#### Accidental damage caused by defective or leaking batteries !

- ▶ Always store your products with the batteries removed!
- 
- ▶ Store the product and the batteries in a cool and dry place. Comply with the temperature limits stated in the technical data 7.
  - ▶ Do not store batteries on the charger. Always remove the battery from the charger when the charging operation has completed.
  - ▶ Never leave batteries in direct sunlight, on sources of heat, or behind glass.
  - ▶ Store the product and batteries where they cannot be accessed by children or unauthorized persons.
  - ▶ Prior to each use and before and after prolonged storage, check the product and the batteries for damage.

## 9 Troubleshooting

If a problem occurs, always observe the charge-status and fault indicator of the battery. See the section headed **Status indicators of the Li-ion battery**.

If the trouble you are experiencing is not listed in this table or you are unable to remedy the problem by yourself, please contact **Hilti Service**.

Trouble or fault	Possible cause	Action to be taken
The battery runs down more quickly than usual.	Battery condition is not optimal.	▶ Call up the battery's state of health.  6
The battery does not engage with an audible click.	The retaining lugs on the battery are dirty.	▶ Clean the retaining lug and refit the battery.
The LEDs do not light up.	The battery is not fully inserted.	▶ Push the battery in until it engages with an audible click.
	Battery defective.	▶ Contact <b>Hilti Service</b> .
The saw blade cannot be removed from the chuck.	The locking lever was not pushed as far as it will go.	▶ Turn the locking lever as far as it will go and remove the saw blade.
	Tool holder clogged by residues from sawing operations.	▶ Remove the residues from sawing operations and regularly clean the tool holder from the outside. Care of the product.  10
Product does not develop full power.	The control switch is not fully pressed.	▶ Press the control switch fully.
	The battery is discharged.	▶ Change the battery and charge the empty battery.
The saw blade cannot be removed from the chuck.	The locking sleeve is not turned as far as it will go.	▶ Turn the locking sleeve as far as it will go and remove the saw blade.

## 10 Disposal

### WARNING

**Risk of injury due to incorrect disposal!** Health hazards due to escaping gases or liquids.

- ▶ DO NOT send batteries through the mail!
- ▶ Cover the terminals with a non-conductive material (such as electrical tape) to prevent short circuiting.
- ▶ Dispose of your battery out of the reach of children.
- ▶ Dispose of the battery at your **Hilti Store**, or consult your local governmental garbage disposal or public health and safety resources for disposal instructions.

Most of the materials from which **Hilti** products are manufactured can be recycled. The materials must be correctly separated before they can be recycled. In many countries, your old tools, machines or appliances can be returned to **Hilti** for recycling. Ask **Hilti Service** or your Hilti sales representative for further information.





► Do not dispose of power tools, electronic equipment or batteries as household waste!

## 11 Manufacturer's warranty

► Please contact your local Hilti representative if you have questions about the warranty conditions.

## 12 Further information




For more information on operation, technology, environment and recycling, follow this link: [qr.hilti.com/manual/?id=2243480&id=2243482](http://qr.hilti.com/manual/?id=2243480&id=2243482)

This link is also to be found at the end of the documentation, in the form of a QR code.

# Mode d'emploi original

## 1 Indications relatives au mode d'emploi

### 1.1 À propos de ce mode d'emploi

- **Avertissement !** Il convient de lire et comprendre toute la documentation jointe, y compris, sans s'y limiter, les instructions, avertissements de sécurité, illustration et spécifications fournies avec le présent produit. Prenez connaissance de toutes les instructions, avertissements de sécurité, illustrations, spécifications et fonctions du produit avant de l'utiliser. Tout manquement à cette obligation peut entraîner un choc électrique, un incendie, et/ou des blessures graves. Conservez l'ensemble des avertissements et instructions pour consultation ultérieure.
- Les produits **HILTI** sont destinés aux professionnels et ne doivent être utilisés, entretenus et réparés que par un personnel autorisé et formé. Ce personnel doit être spécialement instruit quant aux dangers inhérents à l'utilisation de l'appareil. Le produit et ses accessoires peuvent s'avérer dangereux s'ils sont utilisés de manière incorrecte par un personnel non qualifié ou de manière non conforme à l'usage prévu.
- La documentation ci-jointe correspond à l'état actuel de la technique à la date d'impression. Veuillez toujours consulter la dernière version sur la page du produit sur le site Internet de Hilti. Pour ce faire, suivez le lien ou scannez le code QR dans la documentation, indiqué par le symbole .
- Ne pas prêter ou céder le produit à un autre utilisateur sans lui fournir le présent mode d'emploi.

### 1.2 Explication des symboles

#### 1.2.1 Avertissements

Les avertissements attirent l'attention sur des dangers liés à l'utilisation du produit. Les termes de signalisation suivants sont utilisés :

 **DANGER**

**DANGER !**

► Pour un danger imminent qui peut entraîner de graves blessures corporelles ou la mort.





## AVERTISSEMENT

### AVERTISSEMENT !

- Pour un danger potentiel qui peut entraîner de graves blessures corporelles ou la mort.

## ATTENTION

### ATTENTION !

- Pour une situation potentiellement dangereuse pouvant entraîner des blessures corporelles ou des dégâts matériels.

### 1.2.2 Symboles dans le manuel d'utilisation

Les symboles suivants sont utilisés dans le présent manuel d'utilisation :

	Respecter le manuel d'utilisation
	Pour des conseils d'utilisation et autres informations utiles
	Maniement des matériaux recyclables
	Ne pas jeter les appareils électriques et les accus dans les ordures ménagères
	<b>Hilti</b> Accu Li-Ion
	<b>Hilti</b> Chargeur

### 1.2.3 Symboles dans les illustrations

Les symboles suivants sont utilisés dans les illustrations :

	Ces chiffres renvoient à l'illustration correspondante au début du présent manuel d'utilisation.
	La numérotation détermine la séquence des étapes de travail dans l'image et peut se différencier de celles des étapes de travail dans le texte.
	Les numéros de position sont utilisés dans l'illustration <b>Vue d'ensemble</b> et renvoient aux numéros des légendes dans la section <b>Vue d'ensemble du produit</b> .
	Ce signe doit inviter à manier le produit en faisant particulièrement attention.

## 1.3 Symboles spécifiques au produit

### 1.3.1 Symboles sur le produit

Les symboles suivants peuvent être utilisés sur le produit :

RPM	Cadence par minute
$n_0$	Cadence de coupe nominale
---	Courant continu
	Le produit prend en charge la technologie NFC qui est compatible avec les plates-formes iOS et Android.
Li-Ion	Accu lithium-ions
	Ne jamais utiliser l'accu comme outil de percussion.
	Ne pas laisser tomber l'accu. Ne pas utiliser d'accu ayant subi un choc ou d'autres dommages.



### 2.1 Indications générales de sécurité pour les appareils électriques

**⚠ AVERTISSEMENT Lire toutes les consignes de sécurité et instructions, illustrations et caractéristiques techniques, qui accompagnent cet outil électroportatif.** Tout manquement à l'observation des instructions suivantes risque de provoquer une électrocution, un incendie et/ou de graves blessures.

**Les consignes de sécurité et instructions doivent être intégralement conservées pour les utilisations futures.**

La notion d'« outil électroportatif » mentionnée dans les consignes de sécurité se rapporte à des outils électriques raccordés au secteur (avec câble d'alimentation) et à des outils électriques sur accus (sans câble d'alimentation).

#### Sécurité sur le lieu de travail

- ▶ **Conserver la zone de travail propre et bien éclairée.** Un lieu de travail en désordre ou mal éclairé augmente le risque d'accidents.
- ▶ **Ne pas faire fonctionner les outils électriques en atmosphère explosive et où se trouvent des liquides, des gaz ou poussières inflammables.** Les outils électriques produisent des étincelles qui peuvent enflammer les poussières ou les fumées.
- ▶ **Maintenir les enfants et les personnes présentes à l'écart pendant l'utilisation de l'outil électroportatif.** En cas d'inattention il y a risque de perdre le contrôle de l'appareil.

#### Sécurité relative au système électrique

- ▶ **La fiche de secteur de l'outil électroportatif doit être adaptée à la prise de courant. Ne jamais modifier la fiche de quelque façon que ce soit. Ne pas utiliser d'adaptateurs avec des outils électriques à branchement de terre.** Des fiches non modifiées et des prises de courant adaptées réduiront le risque de choc électrique.
- ▶ **Éviter le contact physique avec des surfaces mises à la terre tels que tuyaux, radiateurs, cuisinières et réfrigérateurs.** Il y a un risque élevé de choc électrique au cas où votre corps serait relié à la terre.
- ▶ **Ne pas exposer les outils électroportatifs à la pluie ou à l'humidité.** La pénétration d'eau à l'intérieur d'un outil électroportatif augmentera le risque d'un choc électrique.
- ▶ **Ne jamais utiliser le câble de raccordement à d'autres fins que celles prévues, telles que pour porter, accrocher ou débrancher l'outil électroportatif de la prise de courant. Maintenir le câble de raccordement à l'écart de la chaleur, des parties grasses, des bords tranchants ou des parties en mouvement.** Des câbles de raccordement endommagés ou emmêlés augmentent le risque de choc électrique.
- ▶ **Si l'outil électroportatif est utilisé à l'extérieur, utiliser uniquement des câbles de rallonge homologués pour les applications extérieures.** L'utilisation d'un câble de rallonge homologué pour les applications extérieures réduit le risque d'un choc électrique.
- ▶ **Si l'utilisation de l'outil électrique dans un environnement humide ne peut pas être évitée, utiliser un interrupteur de protection contre les courants de court-circuit.** L'utilisation d'un tel interrupteur de protection réduit le risque d'une décharge électrique.

#### Sécurité des personnes

- ▶ **Rester vigilant, surveiller ce que l'on fait. Faire preuve de bon sens en utilisant l'outil électroportatif. Ne pas utiliser l'outil électroportatif en étant fatigué ou sous l'emprise de l'alcool, de drogues ou de médicaments.** Un moment d'inattention lors de l'utilisation de l'outil électroportatif peut entraîner des blessures graves.
- ▶ **Utiliser un équipement de protection personnel et toujours porter une protection pour les yeux.** Les équipements de protection personnels tels que masque antipoussière, chaussures de sécurité antidérapantes, casque de protection ou protection acoustique suivant l'utilisation de l'outil électroportatif, réduiront le risque de blessures des personnes.
- ▶ **Éviter une mise en service par mégarde. S'assurer que l'outil électroportatif est arrêté avant de le brancher à la source de courant et/ou à l'accu, de le prendre ou de le porter.** Le fait de porter l'outil électroportatif avec le doigt sur l'interrupteur ou de brancher l'appareil sur la source de courant lorsque l'interrupteur est en position de fonctionnement peut entraîner des accidents.
- ▶ **Retirer tout outil de réglage ou toute clé avant de mettre l'outil électroportatif en fonctionnement.** Une clé ou un outil se trouvant sur une partie en rotation peut causer des blessures.
- ▶ **Adopter une bonne posture. Veiller à toujours garder une position stable et équilibrée.** Cela permet un meilleur contrôle de l'outil électroportatif dans des situations inattendues.
- ▶ **S'habiller de manière adaptée. Ne pas porter de vêtements amples ni de bijoux. Garder les cheveux, les vêtements et les gants à distance des parties en mouvement.** Des vêtements amples, des bijoux ou des cheveux longs peuvent être happés par des parties en mouvement.



- ▶ **Si des dispositifs servant à aspirer ou à recueillir les poussières doivent être utilisés, s'assurer qu'ils sont effectivement raccordés et correctement utilisés.** L'utilisation d'un dispositif d'aspiration de la poussière peut réduire les risques dus aux poussières.
- ▶ **Ne pas sous-estimer les mesures de sécurité à prendre et ne pas ignorer sciemment les règles de sécurité applicables aux outils électriques, même si l'on est utilisateur chevronné après de fréquentes utilisations de l'outil électroportatif.** Un manque d'attention peut conduire à de graves blessures en quelques fractions de seconde.

#### Utilisation et manquement de l'outil électroportatif

- ▶ **Ne pas forcer l'appareil. Utiliser l'outil électroportatif adapté au travail à effectuer.** Un outil électroportatif approprié réalisera mieux le travail et de manière plus sûre au régime pour lequel il a été conçu.
- ▶ **Ne pas utiliser d'outil électroportatif dont l'interrupteur est défectueux.** Tout outil électroportatif qui ne peut plus être mis en ou hors fonctionnement est dangereux et doit être réparé.
- ▶ **Débrancher la fiche de la prise de courant et/ou l'accu amovible avant d'effectuer des réglages sur l'appareil, de changer les accessoires, ou de ranger l'appareil.** Cette mesure de précaution empêche une mise en fonctionnement par mégarde de l'outil électroportatif.
- ▶ **Conserver les outils électroportatifs non utilisés hors de portée des enfants. Ne permettre l'utilisation de l'appareil à aucune personne qui ne soit pas familiarisée avec celui-ci ou qui n'a pas lu ces instructions.** Les outils électroportatifs sont dangereux lorsqu'ils sont entre les mains de personnes non initiées.
- ▶ **Prendre soin des outils électroportatifs et des accessoires. Vérifier que les parties en mouvement fonctionnent correctement et qu'elles ne sont pas coincées, et contrôler si des parties sont cassées ou endommagées de sorte que le bon fonctionnement de l'outil électroportatif s'en trouve entravé. Faire réparer les parties endommagées avant d'utiliser l'appareil.** De nombreux accidents sont dus à des outils électroportatifs mal entretenus.
- ▶ **Garder les outils de coupe affûtés et propres.** Des outils destinés à couper correctement entretenus avec des arêtes de coupe tranchantes sont moins susceptibles de bloquer et sont plus faciles à contrôler.
- ▶ **L'outil électroportatif, les accessoires, les outils amovibles, etc. doivent être utilisés conformément à ces instructions. Tenir également compte des conditions de travail et du travail à réaliser.** L'utilisation des outils électroportatifs à d'autres fins que celles prévues peut entraîner des situations dangereuses.
- ▶ **Veiller à ce que les poignées et surfaces de préhension soient toujours être sèches, propres et exemptes de traces de graisse ou d'huile.** Avec des poignées et surfaces de préhension glissantes, la sécurité et le contrôle de l'outil électroportatif ne peuvent être assurés dans des situations inopinées.

#### Utilisation et manquement de l'outil sur accu

- ▶ **Ne charger les accus que dans des chargeurs recommandés par le fabricant.** Si un chargeur approprié à un type spécifique d'accus est utilisé avec des accus non recommandés pour celui-ci, il y a risque d'incendie.
- ▶ **Dans les outils électroportatifs, utiliser uniquement les accus spécialement prévus pour ceux-ci.** L'utilisation de tout autre accu peut entraîner des blessures et des risques d'incendie.
- ▶ **Tenir l'accu non utilisé à l'écart de tous objets métalliques tels qu'agrafes, pièces de monnaie, clés, clous, vis ou autres, étant donné qu'un pontage peut provoquer un court-circuit.** Un court-circuit entre les contacts d'accu peut provoquer des brûlures ou un incendie.
- ▶ **En cas d'utilisation abusive, du liquide peut sortir de l'accu. Éviter tout contact avec ce liquide. En cas de contact par mégarde, rincer soigneusement avec de l'eau. Au cas où le liquide rentrerait dans les yeux, consulter en plus un médecin.** Le liquide qui sort de l'accu peut entraîner des irritations de la peau ou causer des brûlures.
- ▶ **Ne pas utiliser d'accu endommagé ou modifié.** Des accus endommagés ou modifiés peuvent avoir un comportement imprévisible et provoquer un incendie, une explosion ou engendrer un risque de blessures.
- ▶ **Ne jamais exposer l'accu au feu ou à des températures trop élevées.** Le feu ou des températures supérieures à 130 °C (265 °F) peuvent provoquer une explosion.
- ▶ **Suivre toutes les instructions de charge et ne jamais charger l'accu ou l'outil sur accu hors de la plage de températures spécifiée dans le manuel d'utilisation.** Une charge inappropriée ou hors de la plage de températures spécifiée risque d'endommager l'accu et accroître le risque d'incendie.

#### Service

- ▶ **L'outil électroportatif doit uniquement être réparé par un personnel qualifié et seulement avec des pièces de rechange d'origine.** Ceci permet d'assurer la sécurité de l'appareil.
- ▶ **N jamais entretenir d'accus endommagés.** Toutes les opérations d'entretien sur des accus doivent exclusivement être réalisées par le fabricant ou un prestataire de service client agréé.



## 2.2 Consignes de sécurité pour le sciage avec une lame de scie effectuant un mouvement de va-et-vient

- ▶ **Tenir l'outil électroportatif par les surfaces isolées des poignées lors des travaux pendant lesquels l'outil amovible utilisé risque de toucher des câbles électriques cachés.** Le contact avec un câble sous tension risque aussi de mettre les parties métalliques de l'appareil sous tension et de provoquer une décharge électrique.
- ▶ **Fixer et sécuriser l'outil à l'aide d'un serre-joint ou de tout autre manière sur un support stable.** Si l'outil est tenu seulement avec la main ou contre le corps, il reste instable ce qui peut entraîner la perte de contrôle.

## 2.3 Consignes de sécurité supplémentaires

- ▶ Utiliser le produit et les accessoires uniquement s'ils sont en parfait état.
- ▶ Ne jamais entreprendre de manipulation ni de modification sur le produit ou les accessoires.
- ▶ La poussière générée par le meulage, le ponçage, le tronçonnage et le forage peut contenir des produits chimiques dangereux. Par exemple : plomb ou peinture à base de plomb ; brique, béton et autres produits de maçonnerie, pierre naturelle et autres produits contenant des silicates ; certains bois, tels que le chêne, le hêtre et le bois traité chimiquement ; amiante ou matériaux contenant de l'amiante. Déterminer l'exposition de l'opérateur et personnes se trouvant dans l'entourage en fonction de la classe de danger des matériaux traités. Prendre les mesures nécessaires pour maintenir l'exposition à un niveau sûr, par exemple en utilisant un système de collecte des poussières ou en portant une protection respiratoire appropriée. Mesures générales visant à réduire l'exposition :
  - ▶ Travailler dans un endroit bien ventilé
  - ▶ Éviter le contact prolongé avec la poussière
  - ▶ Faire en sorte que la poussière soit dirigée loin du visage et du corps
  - ▶ Porter des vêtements de protection et laver les zones exposées à l'eau et au savon
- ▶ Risque de blessures dues à la chute d'outils et/ou d'accessoires. Avant de commencer à travailler, contrôler si l'accessoire monté est solidement fixé.
- ▶ Gardez toujours les ouïes d'aération dégagées. Risque de brûlures si les ouïes d'aération sont couvertes !
- ▶ Faire régulièrement des pauses et des exercices pour favoriser l'irrigation sanguine dans les doigts. En cas de travaux prolongés, les fortes vibrations peuvent perturber la circulation dans les vaisseaux sanguins ou le système nerveux dans les doigts, les mains ou le poignet.
- ▶ Ne pas fixer de mousqueton de ceinture à ce produit.
- ▶ Ne pas fixer l'éclairage (LED) du produit et ne pas projeter la lumière dans le visage d'autres personnes. Il y a risque d'éblouissement.
- ▶ Pendant l'utilisation du produit, l'utilisateur et les personnes se trouvant à proximité doivent porter des lunettes de protection, un casque de protection, un casque antibruit, des gants de protection et un masque respiratoire léger.
- ▶ Les éclats de matière peuvent entraîner des blessures corporelles et aux yeux. Utiliser un équipement de protection individuel et toujours porter des lunettes et des gants de protection.
- ▶ Porter des gants de protection pour changer d'outil. Risque de blessures par coupure et de brûlures au contact avec l'outil amovible.
- ▶ Bien garder les mains à distance de la zone de sciage et de la lame de scie. Si cela est nécessaire, tenir le produit avec la seconde main sur le carter du moteur. Si la scie est tenue des deux mains, celles-ci ne risquent pas d'être blessées lors du sciage.
- ▶ Attendre l'arrêt complet du produit avant de le déposer.
- ▶ Ne pas utiliser de lames de scie émoussées ou endommagées. Celles-ci entraîneraient une friction élevée, un coincement de la lame de scie et un contrecoup.
- ▶ Fixer la pièce sur un support stable. Ne jamais tenir la pièce à scier avec la main ou sur la jambe.
- ▶ Seulement mettre le produit en marche lorsqu'il est dans la position de travail.
- ▶ Toujours travailler avec le produit en l'éloignant du corps.
- ▶ Ne pas passer les mains sous la pièce travaillée.
- ▶ Travailler avec une pression d'appui modérée et une vitesse de coupe appropriée, notamment dans le cas de tuyaux de grand diamètre. Ceci évite un surchauffe du produit.
- ▶ Toujours utiliser une lame de scie de longueur appropriée. La lame de scie doit dépasser de la pièce à découper pendant toute l'opération de sciage.
- ▶ Ne pas scier dans des sous-sols de nature inconnue et libérer la surface de coupe de tout obstacle en haut et en bas.
  - ▶ Si la lame de scie heurte un objet, elle peut déclencher un mouvement de recul au niveau du produit.



- ▶ Placer les bras dans une position permettant d'amortir la force de contrecoup.
- ▶ Le produit doit être serré contre la pièce travaillée à l'aide du patin d'appui. Ceci permet de garantir un travail fiable et optimal.
- ▶ Toujours se tenir latéralement à la lame de scie, le corps de l'utilisateur ne doit jamais être dans l'alignement de la lame de scie. En cas de contrecoup, la scie risque d'être propulsée vers l'arrière !
- ▶ Si la lame de scie se coince ou que le travail est interrompu, arrêter la scie et la tenir dans le matériau sans bouger jusqu'à ce que la lame de scie s'immobilise. Ne jamais essayer de sortir la scie de la pièce travaillée ou de la tirer vers l'arrière tant que la lame de scie bouge, sans quoi un contrecoup risque de se produire.
- ▶ Si une scie qui s'est bloquée dans une pièce doit être remise en marche, centrer la lame de scie dans la fente et contrôler que les dents de la scie ne soient pas restées accrochées dans la pièce.
- ▶ Travailler avec d'autant plus de prudence pour découper des parois existantes ou d'autres zones sans visibilité. La lame plongeante risque de se coincer dans des objets cachés et de provoquer un contrecoup.
- ▶ Pour le stockage ou le transport du produit, activer la sécurité de transport.
- ▶ Respecter les instructions du fabricant relatives au maniement et au stockage des lames de scie.
- ▶ Lors de travaux d'ajourage, protéger l'espace du côté opposé aux travaux.
- ▶ Avant d'entamer le travail, vérifier qu'il n'y a pas de câbles ou gaines électriques, tuyaux de gaz ou d'eau cachés dans la zone d'intervention. Les parties métalliques externes du produit peuvent provoquer un choc électrique ou une explosion si vous endommagez une ligne électrique, une conduite de gaz ou une conduite d'eau.
- ▶ Lors du sectionnement de tuyauteries, toujours tenir le produit plus haut que la conduite à sectionner.
  - ▶ Le produit n'est pas équipé d'une protection empêchant les pénétrations d'humidité. Toute fuite de liquide peut provoquer un court-circuit dans le produit.
- ▶ En cas de séparation de conduites, d'abord s'assurer que celles-ci ne contiennent plus aucun liquide. Les vider si nécessaire.

## 2.4 Utilisation et emploi soigneux des batteries

- ▶ **Respecter les consignes de sécurité suivantes relatives à la manipulation et à l'utilisation des accus Li-Ion.** Le non-respect de telles mesures risque de provoquer des irritations cutanées, des blessures graves corrosives, des brûlures chimiques, des incendies et/ou des explosions.
- ▶ Utiliser les accus uniquement dans un état techniquement impeccable.
- ▶ Traiter les accus avec soin pour éviter les endommagement et les fuites de liquides très nocifs pour la santé !
- ▶ Les accus ne doivent en aucun cas être modifiés ou manipulés !
- ▶ Il est interdit de démonter, écraser, chauffer les accus à une température supérieure à 80 °C (176 °F) ou de les jeter au feu.
- ▶ Ne pas utiliser ni recharger d'accus ayant subi un choc ou ayant été endommagés de quel-qu'autre manière. Vérifier régulièrement l'absence de traces d'endommagement sur les accus.
- ▶ Ne jamais utiliser d'accus recyclés ou réparés.
- ▶ Ne jamais utiliser l'accu ni aucun outil électrique sans fil comme outil de percussion.
- ▶ Ne jamais exposer les accus à un rayonnement direct du soleil, des températures élevées, des étincelles ou des flammes nues. Il y a alors risque d'explosions.
- ▶ Ne jamais toucher les pôles avec les doigts, des outils, des bijoux ou tout autre objet métallique. Cela peut endommager l'accu et entraîner des dommages matériels et des blessures.
- ▶ Maintenir les accus à l'abri de la pluie, de l'humidité et des liquides. Toute pénétration d'humidité risque de provoquer un court-circuit, des chocs électriques, des brûlures, des incendies ou des explosions.
- ▶ Utiliser exclusivement les chargeurs et outils électriques prévus pour le type d'accu considéré. Respecter à ce sujet les indications du mode d'emploi correspondant.
- ▶ Ne pas utiliser ni stocker l'accu dans des environnements présentant des risques d'explosion.
- ▶ Si l'accu est trop chaud pour être touché, il est probablement défectueux. Placer l'accu dans un endroit bien visible, non inflammable et suffisamment éloigné de matériaux inflammables. Laisser l'accu refroidir. Si, après une heure, l'accu est toujours trop chaud pour être saisi, c'est qu'il est défectueux. Contacter le service après-vente **Hilti** ou consulter le document « Instructions de sécurité et d'utilisation pour les accus Li-Ion **Hilti** ».

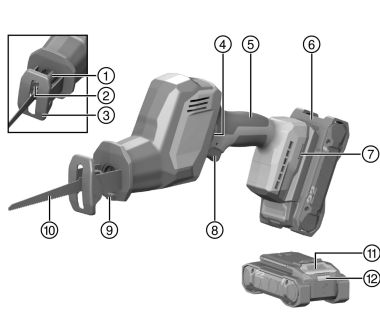


Respecter les directives spécifiques pour le transport, le stockage et l'utilisation d'accus Li-Ion. Lire les remarques relatives à la sécurité et à l'utilisation des accus Li-Ion **Hilti** que vous trouverez en scannant le code QR à la fin de ce mode d'emploi.



### 3 Description

#### 3.1 Vue d'ensemble du produit



- ① Douille de verrouillage de la lame de scie
- ② Porte-lame
- ③ Patin d'appui
- ④ Sécurité de transport
- ⑤ Poignée
- ⑥ Accu
- ⑦ Ouverture de montage pour les accessoires
- ⑧ Variateur électronique de vitesse
- ⑨ Éclairage du champ de travail (DEL)
- ⑩ Lame de scie
- ⑪ Bouton de déverrouillage de l'accu
- ⑫ Indicateur d'état - Accu

#### 3.2 Utilisation conforme à l'usage prévu

Le produit décrit est une scie sabre sans fil. Elle est destinée aux travaux de sciage dans le bois ou des matières analogues au bois, des matériaux métalliques, des briques et des plastiques.

Le produit est conçu pour un maniement à une seule main.

- Pour ce produit, utiliser exclusivement des accus Li-Ion **Hilti** Nuron de la série B 22. Pour une puissance optimale, **Hilti** recommande pour ce produit les accus indiqués dans le tableau à la fin de ce mode d'emploi.
- Pour ces accus, utiliser exclusivement des chargeurs **Hilti** des séries indiquées dans le tableau à la fin de ce mode d'emploi.

#### 3.3 Mauvaise utilisation possible

- ▶ Ne pas scier du béton, du béton cellulaire, de la pierre naturelle ou du carrelage.
- ▶ Ne pas utiliser le produit pour scier des conduites contenant encore du liquide.
- ▶ Ne pas scier dans des sous-sols de nature inconnue.

#### 3.4 Éléments livrés

Scie sabre, mode d'emploi.

D'autres produits système pour votre produit peuvent être trouvés dans votre **Hilti Store** ou à l'adresse : [www.hilti.group](http://www.hilti.group)

#### 3.5 Affichages de l'accu Li-Ion

Les accus Li-Ion **Hilti** Nuron peuvent afficher l'état de charge, les messages d'erreur et l'état de l'accu.

##### 3.5.1 Affichages de l'état de charge et des messages d'erreur

#### AVERTISSEMENT

##### Risque de blessures en cas de chute de l'accu !

- ▶ Lorsque l'accu est inséré et après avoir appuyé sur la touche de déverrouillage, s'assurer que l'accu est correctement réenclenché dans le produit utilisé.

Pour consulter un des affichages suivants, appuyer brièvement sur la touche de déverrouillage de l'accu. L'état de charge et les dysfonctionnements possibles sont affichés en permanence tant que le produit raccordé est allumé.

État	Signification
Quatre (4) DEL sont allumées en vert en continu	État de charge : de 100 % à 71 %
Trois (3) DEL sont allumées en vert en continu	État de charge : de 70 % à 51 %
Deux (2) DEL sont allumées en vert en continu	État de charge : de 50 % à 26 %



État	Signification
Une (1) DEL est allumée en vert en continu	État de charge : de 25 % à 10 %
Une (1) DEL clignote lentement en vert	État de charge : < 10 %
Une (1) DEL clignote rapidement en vert	L'accu Li-Ion est entièrement déchargé. Charger l'accu. Si la DEL continue de clignoter rapidement après la charge de l'accu, s'adresser au S.A.V. <b>Hilti</b> .
Une (1) DEL clignote rapidement en jaune	L'accu Li-Ion ou le produit correspondant est surchargé, trop chaud, trop froid ou il y a un autre défaut. Amener le produit et l'accu à la température de travail recommandée et ne pas surcharger le produit pendant son utilisation. Si le message ne disparaît pas, s'adresser au S.A.V. <b>Hilti</b> .
Une (1) DEL est allumée en jaune	L'accu Li-Ion ainsi que le produit connecté ne sont pas compatibles. Merci de s'adresser au S.A.V <b>Hilti</b> .
Une (1) DEL clignote rapidement en rouge	L'accu Li-Ion est verrouillé et ne peut plus être utilisé. Merci de s'adresser au S.A.V <b>Hilti</b> .

### 3.5.2 Affichages de l'état de l'accu

Pour consulter l'état de l'accu, maintenir la touche de déverrouillage enfoncée pendant plus de trois secondes. Le système ne détecte aucun dysfonctionnement potentiel de la batterie dû à une utilisation incorrecte, par ex. chute, piqûres, dommages externes dus à la chaleur, etc.

État	Signification
Toutes les DEL forment un chenillard, puis une (1) DEL est allumée en vert en continu.	L'accu peut continuer à être utilisé.
Toutes les DEL forment un chenillard, puis une (1) DEL clignote rapidement en jaune.	L'interrogation de l'état de l'accu n'a pas pu être terminée. Répéter la procédure ou s'adresser au S.A.V. <b>Hilti</b> .
Toutes les DEL forment un chenillard, puis une (1) DEL est allumée en rouge en continu.	Si un produit raccordé peut continuer à être utilisé, la capacité résiduelle de l'accu est inférieure à 50 %. Si un produit raccordé ne peut plus être utilisé, l'accu est arrivé à la fin de sa durée de vie et doit être remplacé. Merci de s'adresser au S.A.V <b>Hilti</b> .

## 4 Caractéristiques techniques

### 4.1 Scie sabre

	SR 4-22
Génération de produit	02
Tension de référence	21,6 V
Poids selon EPTA Procedure 01 sans accu	2 kg
Cadence de coupe	0 tr/min ... 3.000 tr/min
Course	23,2 mm
Porte-lame sans clé pour outils standard	1/2 in
Température de stockage	-20 °C ... 70 °C
Température de service en cours de service	-17 °C ... 60 °C



## 4.2 Batterie

Tension nominale de l'accu	21,6 V
Poids de l'accu	Voir à la fin de ce mode d'emploi
Température de service en cours de service	-17 °C ... 60 °C
Température de stockage	-20 °C ... 40 °C
Température de l'accu au début de la charge	-10 °C ... 45 °C

## 4.3 Valeurs d'émissions acoustiques et de vibrations

Les valeurs de pression acoustique et de vibrations mentionnées dans ces instructions ont été mesurées conformément à un procédé de mesure normalisé et peuvent être utilisées comme base de comparaison entre outils électroportatifs. Elles servent également à une évaluation préalable de l'exposition aux bruits et aux vibrations.

Les indications fournies correspondent aux principales applications de l'outil électroportatif. Ces données peuvent néanmoins différer si l'outil électroportatif est utilisé pour d'autres applications, avec des outils amovibles différents ou que l'entretien s'avère insuffisant. Ceci peut augmenter considérablement les contraintes d'exposition dans tout l'espace de travail.

Pour une évaluation précise des expositions, il convient également de prendre en compte les temps durant lesquels l'outil électroportatif est arrêté ou marche à vide. Cela peut réduire considérablement les contraintes d'exposition dans tout l'espace de travail.

Par ailleurs, il convient de prendre des mesures de sécurité supplémentaires en vue de protéger l'utilisateur des effets du bruit/ des vibrations, telles que : bien entretenir l'outil électroportatif ainsi que les outils amovibles, maintenir les mains chaudes, optimiser l'organisation des opérations.



De plus amples informations sur les versions des normes **EN 62841** appliquées ici sont fournies sur la copie de la déclaration de conformité 218.

### Informations sur le bruit

	SR 4-22
Niveau de puissance acoustique ( $L_{WA}$ )	95 dB(A)
Incertitude sur le niveau de puissance acoustique ( $K_{WA}$ )	5 dB(A)
Niveau de puissance acoustique ( $L_{pA}$ )	87 dB(A)
Incertitude sur le niveau de pression acoustique ( $K_{pA}$ )	5 dB(A)

### Informations relatives aux vibrations

Valeur d'émission des vibrations – Sciage de panneaux en aggloméré ( $a_{h,b}$ )	B 22-55	12,8 m/s <sup>2</sup>
	B 22-85	11,1 m/s <sup>2</sup>
Valeur d'émission des vibrations – Sciage de poutres de bois ( $a_{h,wb}$ )	B 22-55	11,5 m/s <sup>2</sup>
	B 22-85	12,2 m/s <sup>2</sup>
Incertitude (K)		1,5 m/s <sup>2</sup>

## 5 Utilisation

### 5.1 Recharge de l'accu

- Avant de commencer la charge, lire le mode d'emploi du chargeur.
- Veiller à ce que les contacts de l'accu et du chargeur sont propres et secs.
- Charger l'accu à l'aide d'un chargeur homologué. 18





## 5.2 Introduction de l'accu

### AVERTISSEMENT

#### Risque de blessures du fait d'un court-circuit ou de la chute de l'accu !

- ▶ Avant d'insérer l'accu dans l'appareil, s'assurer que les contacts de l'accu et les contacts sur le produit sont exempts de corps étrangers.
- ▶ S'assurer que l'accu s'encliquette toujours correctement.

1. L'accu doit être entièrement chargé avant la première mise en service.
2. Introduire l'accu dans le produit jusqu'à ce qu'il s'enclenche de manière audible.
3. Vérifier que l'accu est bien en place.

## 5.3 Retrait de l'accu

1. Appuyer sur la touche de déverrouillage de l'accu.
2. Retirer l'accu hors du produit.

## 5.4 Sécurité anti-chute

### AVERTISSEMENT

#### Risque de blessures en cas de chute de l'outil et/ou des accessoires !

- ▶ Utiliser uniquement la longue porte-outil **Hilti** recommandée pour votre produit.
- ▶ Contrôler l'état du point de fixation de la longue porte-outil avant chaque utilisation.



Respecter les directives nationales en vigueur pour les travaux en hauteur.

En tant que protection anti-chute pour ce produit, utiliser exclusivement une combinaison de la sécurité anti-chute **Hilti** #2293133 avec la longue porte-outil **Hilti** #2261970.

- ▶ Fixer la sécurité anti-chute dans les ouvertures de montage pour accessoires. Vérifier qu'elle tient bien.
- ▶ Fixer un mousqueton de la longue porte-outil dans la sécurité anti-chute et le second mousqueton sur une structure porteuse. Vérifier qu'elle tient bien.



Respecter les modes d'emploi de la sécurité anti-chute **Hilti** et de la longue porte-outil **Hilti**.

## 5.5 Mise en place de la lame de scie



Utiliser uniquement des lames de scie avec un emmanchement 1/2".

1. Vérifier si l'emmanchement de l'outil est bien propre et légèrement graissé. Le nettoyer et le graisser si nécessaire.
2. Tourner la douille de verrouillage du porte-lame dans le sens contraire des aiguilles d'une montre et la maintenir dans cette position.
3. Pousser la lame par l'avant dans le porte-lame.
4. Relâcher la douille de verrouillage jusqu'à ce qu'elle se verrouille (déclat audible).
5. Vérifier que la lame est bien enclenchée en tirant dessus.

## 5.6 Retrait de la lame de scie

### ATTENTION

#### Risque de blessures ! L'outil amovible peut être brûlant et / ou présenter des arêtes vives.

- ▶ Porter des gants de protection pour changer d'outil amovible.
- ▶ Ne jamais déposer un outil amovible chaud sur un support inflammable.

1. Tourner la douille de verrouillage du porte-lame dans le sens contraire des aiguilles d'une montre et la maintenir dans cette position.
2. Tirer la lame du porte-lame vers l'avant hors du porte-lame.



3. Relâcher la douille de verrouillage.

## 6 Utilisation

Bien respecter les consignes de sécurité et les avertissements de la présente documentation ainsi que celles figurant sur le produit.

### 6.1 Sciage

#### AVERTISSEMENT

##### Risque de blessures car la scie continue de tourner !

- ▶ Relever le produit de la pièce travaillée seulement une fois qu'il est complètement arrêté.
- ▶ Attendre jusqu'à ce que le produit soit complètement arrêté avant de le déposer.

1. Désactiver la sécurité de transport et appuyer sur le variateur électronique de vitesse.
2. Une fois l'opération de sciage terminée, relâcher le variateur électronique de vitesse.
3. Activer la sécurité de transport.

## 7 Nettoyage et entretien

#### AVERTISSEMENT

##### Risque de blessures lorsque l'accu est inséré !

- ▶ Toujours retirer l'accu avant tous travaux de nettoyage et d'entretien !

##### Entretien du produit

- Éliminer avec précaution les saletés récalcitrantes.
- Le cas échéant, nettoyer soigneusement les ouïes d'aération à l'aide d'une brosse sèche et douce.
- Nettoyer le carter de l'appareil uniquement avec un chiffon légèrement humide. Ne pas utiliser de nettoyeurs à base de silicone car ceci pourrait attaquer les pièces en plastique.
- Nettoyer et lubrifier régulièrement le porte-outil de l'extérieur. Pour ce faire, veuillez utiliser le spray **Hilti** 314648.
- Utiliser un chiffon propre et sec pour nettoyer les contacts du produit.

##### Entretien des accus Li-ion

- Ne jamais utiliser une batterie dont les ouïes d'aération sont bouchées. Nettoyer soigneusement les ouïes d'aération à l'aide d'une brosse sèche et douce.
- Éviter d'exposer inutilement l'accu à la poussière ou à la saleté. Ne jamais exposer l'accu à une forte humidité (par exemple en l'immergeant dans de l'eau ou en le laissant sous la pluie).  
Si l'accu a été trempé, le traiter comme un accu endommagé. L'isoler dans un récipient ininflammable et s'adresser au S.A.V. **Hilti**.
- Veiller à ce que l'accu soit toujours exempt de traces de graisse et d'huile étrangères. Ne pas laisser de la poussière ou de la saleté s'accumuler inutilement sur l'accu. Nettoyer l'accu avec une brosse sèche et douce ou un chiffon propre et sec. Ne pas utiliser de nettoyeurs à base de silicone car ceci pourrait attaquer les pièces en plastique.  
Ne pas toucher les contacts de l'accu et ne pas enlever la graisse appliquée en usine sur les contacts.
- Nettoyer le carter de l'appareil uniquement avec un chiffon légèrement humide. Ne pas utiliser de nettoyeurs à base de silicone car ceci pourrait attaquer les pièces en plastique.

##### Entretien

- Vérifier régulièrement qu'aucune pièce visible n'est endommagée et que les organes de commande sont parfaitement opérationnels.
- Ne pas utiliser le produit en cas d'endommagements et/ou de dysfonctionnements. Faire immédiatement réparer le produit par le S.A.V. **Hilti**.
- Après des travaux de nettoyage et d'entretien, vérifier si tous les équipements de protection sont bien en place et fonctionnent parfaitement.



Pour une utilisation en toute sécurité, utiliser uniquement des pièces de rechange et consommables d'origine. Vous trouverez les pièces de rechange, consommables et accessoires autorisés par **Hilti** convenant pour votre produit dans le centre **Hilti Store** ou sous : [www.hilti.group](http://www.hilti.group)



## 8 Transport et entreposage

### Transport des outils sans fil et des accus

#### ATTENTION

#### Mise en marche inopinée lors du transport !

- ▶ Toujours retirer les accus avant de transporter les produits !
- ▶ Retirer le ou les accus.
- ▶ Ne jamais transporter les accus en vrac. Pendant le transport, les accus doivent être protégés des vibrations et chocs excessifs, isolés de tout matériau conducteur ou autre accu, pour éviter qu'ils n'entrent en contact avec d'autres pôles de batterie et qu'ils provoquent un court-circuit. **Tenir compte des prescriptions locales pour le transport d'accus.**
- ▶ Ne pas envoyer les accus par la poste. S'adresser à un service d'expédition s'il faut envoyer des accus non endommagés.
- ▶ Contrôler l'état du produit et des accus avant chaque utilisation, ainsi qu'avant et après tout transport prolongé.

### Stockage des outils sans fil et des accus

#### AVERTISSEMENT

#### Endommagement involontaire du fait d'accus défectueux ou de chute d'accu !

- ▶ Toujours retirer les accus avant de stocker les produits !
- ▶ Stocker si possible le produit et les accus dans un endroit sec et frais. Respecter les valeurs limites de température indiquées dans les caractéristiques techniques 19.
- ▶ Ne pas stocker les accus sur le chargeur. Retirer toujours l'accu du chargeur après la charge.
- ▶ Ne jamais stocker les accus exposés au soleil, sur des sources de chaleur ou derrière des vitres.
- ▶ Stocker le produit et les accus à l'abri des enfants et des personnes non autorisées.
- ▶ Contrôler l'état du produit et des accus avant chaque utilisation, ainsi qu'avant et après tout stockage prolongé.

## 9 Aide au dépannage

Pour toutes les défaillances, tenir compte de l'indicateur d'état de charge et d'erreurs de l'accu. Voir le chapitre **Affichages de l'accu Li-Ion**.

En cas de défaillances non énumérées dans ce tableau ou auxquelles il n'est pas possible de remédier sans aide, contacter le S.A.V. **Hilti**.

Défaillance	Causes possibles	Solution
L'accu se vide plus rapidement que d'habitude.	L'état de l'accu n'est pas optimal.	▶ Interroger l'état de l'accu.  18
L'accu ne s'enclenche pas avec un clic audible.	Ergot d'encliquetage encrassé sur l'accu.	▶ Nettoyer l'ergot d'encliquetage et réinsérer l'accu.
Les LED n'indiquent rien.	L'accu n'est pas complètement encliqueté.	▶ Encliqueter l'accu d'un clic audible.
	L'accu est défectueux.	▶ S'adresser au S.A.V. <b>Hilti</b> .
Impossible de retirer la lame de scie du porte-lame.	Le levier de verrouillage n'est pas poussé jusqu'en butée.	▶ Tourner le levier de verrouillage jusqu'en butée et sortez la lame de scie.
	Porte-outil colmaté par des résidus de sciage.	▶ Éliminer les résidus de sciage et nettoyer régulièrement le porte-outil de l'extérieur. Entretien du produit.  22
Le produit n'atteint pas la pleine puissance.	Le variateur électronique de vitesse n'est pas complètement enfoncé.	▶ Enfoncer complètement l'interrupteur de commande.
	Décharger l'accu.	▶ Remplacer l'accu et charger l'accu vide.
Impossible de retirer la lame de scie du porte-lame.	La douille de verrouillage n'a pas été tournée jusqu'en butée.	▶ Tourner la douille de verrouillage jusqu'en butée et retirer la lame de scie.




## 10 Recyclage

### AVERTISSEMENT

**Risque de blessures en cas d'élimination incorrecte !** Émanations possibles de gaz et de liquides nocives pour la santé.

- ▶ Ne pas envoyer ni expédier d'accus endommagés !
- ▶ Recouvrir les raccordements avec un matériau non conducteur pour éviter tout court-circuit.
- ▶ Éliminer les accus en veillant à ce qu'ils soient hors de la portée des enfants.
- ▶ Éliminer l'accu en le déposant auprès du **Hilti Store** local ou s'adresser à l'entreprise de collecte des déchets compétente.

 Les produits **Hilti** sont fabriqués pour une grande partie en matériaux recyclables. Le recyclage pré suppose un tri adéquat des matériaux. **Hilti** reprend les appareils usagés dans de nombreux pays en vue de leur recyclage. Consulter le service clients **Hilti** ou un conseiller commercial.



- ▶ Ne pas jeter les appareils électriques, électroniques et accus dans les ordures ménagères !

## 11 Garantie constructeur

- ▶ En cas de questions sur les conditions de garantie, veuillez vous adresser à votre partenaire **Hilti** local.

## 12 Informations complémentaires



Des informations complémentaires concernant l'utilisation, la technique, l'environnement et le recyclage sont disponibles sous le lien ci-dessous : [qr.hilti.com/manual/?id=2243480&id=2243482](http://qr.hilti.com/manual/?id=2243480&id=2243482)

Ce lien figure également à la fin de la documentation sous forme de code QR.

## Original brugsanvisning

### 1 Om brugsanvisningen

#### 1.1 Om denne brugsanvisning

- **Advarsel!** Før du bruger produktet, skal du sikre dig, at du har læst og forstået produktets medfølgende brugsanvisning inklusive anvisninger, sikkerhedsanvisninger og advarsler, billeder og specifikationer. Sørg især for at blive fortrolig med alle anvisninger, sikkerhedsanvisninger og advarsler, billeder, specifikationer samt bestanddele og funktioner. Hvis du ikke gør det, er der risiko for at få elektrisk stød, brandfare og/eller risiko for alvorlige personskader. Gem brugsanvisningen inklusive alle anvisninger, sikkerhedsanvisninger og advarsler til senere brug.
- **HILTI**-produkter er beregnet til professionel brug og må kun betjenes, efterses og vedligeholdes af autoriseret og instrueret personale. Dette personale skal i særdeleshed informeres om de potentielle farer, der er forbundet med anvendelsen af denne boltepistol. Der kan opstå farlige situationer ved anvendelse af produktet og det tilhørende udstyr, hvis det anvendes af personer, der ikke er blevet undervist i dets brug, eller hvis det ikke anvendes korrekt i henhold til forskrifterne i denne brugsanvisning.



- Den medfølgende brugsanvisning svarer til den aktuelle tekniske standard på tidspunktet for trykningen. Du kan altid finde den aktuelle version online på Hiltis produktside. Følg linket eller QR-koden i denne brugsanvisning, der er markeret med symbolet .
- Sørg for, at denne brugsanvisning altid følger med ved overdragelse af produktet til andre.

## 1.2 Tegnforklaring

### 1.2.1 Advarsler

Advarsler advarer mod farer ved håndtering af produktet. Følgende signalord anvendes:

#### **FARE**

**FARE !**

- ▶ Betegner en umiddelbart truende fare, der kan medføre alvorlige kvæstelser eller døden.

#### **ADVARSEL**

**ADVARSEL !**

- ▶ Står ved en potentielt truende fare, der kan medføre alvorlige kvæstelser eller døden.

#### **FORSIGTIG**

**FORSIGTIG !**

- ▶ Advarer om en potentielt farlig situation, der kan forårsage personskader eller materielle skader.

### 1.2.2 Symboler i brugsanvisningen

Der benyttes følgende symboler i denne brugsanvisning:

	Se brugsanvisningen
	Anvisninger for anvendelse og andre nyttige oplysninger
	Håndtering af genvindbare materialer
	Elektriske maskiner og batterier må ikke bortskaffes som almindeligt husholdningsaffald
	<b>Hilti</b> Lithium-ion-batteri
	<b>Hilti</b> Lader

### 1.2.3 Symboler i illustrationer

Følgende symboler anvendes på illustrationer:

	Disse tal henviser til den pågældende illustration i begyndelsen af denne brugsanvisning.
3	Nummereringen udtrykker arbejdsrinnenes rækkefølge på illustrationen og kan afvige fra arbejdsrinnene i teksten.
	Positionsnumre anvendes i illustrationen <b>Oversigt</b> og refererer til tallene i symbolforklaringen i afsnittet <b>Produktoversigt</b> .
	Dette symbol skal sikre skærpet opmærksomhed ved omgang med produktet.

## 1.3 Produktspecifikke symboler

### 1.3.1 Symboler på produktet

Følgende symboler kan forekomme på produktet:

RPM	Slagtal pr. minut
$n_0$	Slagtal, ubelastet



	Jævnstrøm
	Produktet understøtter NFC-teknologi, som er kompatibel med iOS- og Android-platforme.
Li-Ion	Lithium-ion-batteri
	Brug aldrig batteriet som slagværktøj.
	Lad ikke batteriet falde på gulvet. Brug ikke et batteri, der har fået et slag eller på anden vis er beskadiget.

## 2 Sikkerhed

### 2.1 Generelle sikkerhedsanvisninger for elværktøj

**⚠ ADVARSEL** Læs alle sikkerhedsanvisninger, henvisninger, billedtekster og tekniske data på elværktøjet. Hvis følgende anvisninger ikke overholdes, er der risiko for elektrisk stød, brand og/eller alvorlige personskader.

**Opbevar alle sikkerhedsanvisninger og instruktioner til senere brug.**

Det benyttede begreb "elværktøj" i sikkerhedsanvisningerne refererer til elektriske maskiner (med netledning) eller batteridrevne maskiner (uden netledning).

#### Arbejdspladssikkerhed

- ▶ **Sørg for at holde arbejdsområdet ryddeligt og godt oplyst.** Uorden eller uoplyste arbejdsområder øger faren for uheld.
- ▶ **Brug ikke elværktøj i eksplosionstruede omgivelser, hvor der er brændbare væsker, gasser eller støv.** Elværktøj kan slå gnister, der kan antænde støv eller dampe.
- ▶ **Sørg for, at andre personer og ikke mindst børn holdes væk fra arbejdsområdet, når elværktøjet er i brug.** Hvis man distraheres, kan man miste kontrollen over maskinen.

#### Elektrisk sikkerhed

- ▶ **Elværktøjets stik skal passe til kontakten. Stikket må under ingen omstændigheder ændres. Brug ikke adapterstik sammen med jordforbundne elværktøj.** Uændrede stik, der passer til kontakterne, nedsætter risikoen for elektrisk stød.
- ▶ **Undgå kropskontakt med jordforbundne overflader som f.eks. rør, radiatorer, komfurer og køleskabe.** Hvis din krop er jordforbundet, øges risikoen for elektrisk stød.
- ▶ **Elværktøj må ikke udsættes for regn eller fugt.** Indtrængning af vand i elværktøj øger risikoen for elektrisk stød.
- ▶ **Brug ikke ledningen til formål, den ikke er beregnet til (f.eks. må man aldrig bære elværktøjet i ledningen, hænge det op i ledningen eller rykke i ledningen for at trække stikket ud af kontakten). Beskyt ledningen mod varme, olie, skarpe kanter eller dele, der er i bevægelse.** Beskadigede eller sammenviklede ledninger øger risikoen for elektrisk stød.
- ▶ **Hvis elværktøjet benyttes i det fri, må der kun benyttes en forlængerledning, der er egnet til udendørs brug.** Brug af forlængerledning til udendørs brug nedsætter risikoen for elektrisk stød.
- ▶ **Hvis det ikke kan undgås at anvende elværktøjet i fugtige omgivelser, skal du anvende et fejlstrømsrelæ.** Anvendelsen af et fejlstrømsrelæ nedsætter risikoen for et elektrisk stød.

#### Personlig sikkerhed

- ▶ **Det er vigtigt at være opmærksom, se, hvad man laver, og bruge maskinen fornuftigt. Anvend aldrig elværktøj, hvis du er træt eller påvirket af stoffer, alkohol eller medicin.** Et øjeblik uopmærksomhed under brugen af elværktøjet kan medføre alvorlige personskader.
- ▶ **Brug beskyttelsesudstyr, og hav altid beskyttelsesbriller på.** Brug af sikkerhedsudstyr som f.eks. støvmaske, skridsikkert fodtøj, beskyttelseshjelm eller høreværn afhængigt af elværktøjets type og anvendelse nedsætter risikoen for personskader.
- ▶ **Undgå utilsigtet igangsætning. Kontrollér, at elværktøjet er frakoblet, før du slutter det til strømforsyningen og/eller batteriet, tager det op eller transporterer det.** Undgå at bære elværktøjet med fingeren på afbryderen, og sørg for, at det ikke er tændt, når det sluttes til nettet, da dette øger risikoen for personskader.
- ▶ **Fjern indstillingsværktøj eller skruenøgler, inden elværktøjet tændes.** Hvis et stykke værktøj eller en nøgle sidder i en roterende maskindel, er der risiko for personskader.



- ▶ **Undgå at arbejde i unormale kroppsstillinger. Sørg for at stå sikkert, mens der arbejdes, og kom ikke ud af balance.** Det er derved nemmere at kontrollere elværktøjet, hvis der skulle opstå uventede situationer.
- ▶ **Brug egnet arbejdstøj. Undgå løse beklædningsgenstande eller smykker. Hold hår, tøj og handsker væk fra dele, der bevæger sig.** Dele, der er i bevægelse, kan gribe fat i løstsiddende tøj, smykker eller langt hår.
- ▶ **Hvis støvudsugnings- og opsamlingsudstyr kan monteres, er det vigtigt, at dette tilsluttes og benyttes korrekt.** Ved at anvende en støvudsugning er det muligt at nedsætte risiciene som følge af støv.
- ▶ **Man må ikke ignorere sikkerhedsreglerne for elværktøj, heller ikke selvom man er fortrolig med brugen af elværktøjet.** Uagtsomhed kan medføre alvorlig tilskadekomst inden for få sekunder.

#### Anvendelse og pleje af elværktøjet

- ▶ **Undgå at overbelaste maskinen. Brug altid en maskine, der er beregnet til det stykke arbejde, der skal udføres.** Med det rigtige værktøj arbejder man bedst og mest sikkert inden for det angivne effektområde.
- ▶ **Brug ikke elværktøj, hvis afbryderen er defekt.** En maskine, der ikke kan startes og stoppes, er farlig og skal repareres.
- ▶ **Træk stikket ud af stikkontakten, og/eller fjern batteriet fra maskinen, inden du foretager indstillinger på den, skifter tilbehør og dele eller lægger den til side.** Disse sikkerhedsforanstaltninger forhindrer utilsigtet start af elværktøjet.
- ▶ **Opbevar ubenyttede elværktøjer uden for børns rækkevidde. Lad aldrig personer, der ikke er fortrolige med maskinen eller ikke har gennemlæst sikkerhedsanvisningerne, benytte denne.** Elværktøj er farligt, hvis det benyttes af ukyndige personer.
- ▶ **Sørg for at pleje elværktøj omhyggeligt. Kontrollér, om bevægelige dele fungerer korrekt og ikke sidder fast, og om delene er brækket eller beskadiget, således at elværktøjets funktion påvirkes. Få beskadigede dele repareret, inden elværktøjet tages i brug.** Mange uheld skyldes dårligt vedligeholdte elværktøjer.
- ▶ **Sørg for, at skæreværktøjer er skarpe og rene.** Omhyggeligt vedligeholdte skæreværktøjer med skarpe skærekanter sætter sig ikke så hurtigt fast og er nemmere at føre.
- ▶ **Anvend elværktøj, tilbehør, indsatsværktøj osv. i overensstemmelse med disse anvisninger. Tag hensyn til arbejdsforholdene og det arbejde, der skal udføres.** I tilfælde af anvendelse af maskinen til formål, som ligger uden for det fastsatte anvendelsesområde, kan der opstå farlige situationer.
- ▶ **Sørg for, at greb og gribeblader er tørre, rene og fri for olie og fedt.** Glatte greb og gribeblader gør betjeningen usikker, og det kan være svært at styre elværktøjet i uforudsete situationer.

#### Anvendelse og pleje af batteridrevet elværktøj

- ▶ **Oplad kun batterier i ladere, der er anbefalet af fabrikanten.** Der er risiko for brand, hvis en lader, der er beregnet til et bestemt batteri, anvendes til opladning af en anden batteritype.
- ▶ **Brug kun de batterier, der er beregnet til elværktøjet.** Brug af andre batterier øger risikoen for personskader og er forbundet med brandfare.
- ▶ **Ikke benyttede batterier må ikke komme i berøring med kontorclips, mønter, nøgler, søm, skruer eller andre små metalgenstande, da disse kan kortslutte kontakterne.** En kortslutning mellem batterikontakterne øger risikoen for personskader i form af forbrændinger.
- ▶ **Hvis batteriet anvendes forkert, kan der løbe væske ud af batteriet. Undgå at komme i kontakt med denne væske. Hvis det alligevel skulle ske, skylles med vand. Søg læge, hvis væsken kommer i øjnene.** Batterivæske kan give hudirritation eller forbrændinger.
- ▶ **Brug aldrig et beskadiget eller ændret batteri.** Beskadigede eller ændrede batterier kan virke utilsigtet og medføre brand, eksplosion eller risiko for tilskadekomst.
- ▶ **Batterier må ikke udsættes for åben ild eller høje temperaturer.** Ild eller temperaturer over 130 °C (265 °F) kan medføre eksplosion.
- ▶ **Følg alle anvisninger vedrørende opladning, og oplad aldrig batteriet eller det batteridrevne værktøj uden for det temperaturområde, der er anført i betjeningsvejledningen.** Forkert opladning eller opladning uden for det tilladte temperaturområde kan ødelægge batteriet og øge risikoen for brand.

#### Service

- ▶ **Sørg for, at elværktøjet kun repareres af kvalificerede fagfolk, og at der altid benyttes originale reservedele.** Dermed sikres størst mulig elværktøjsikkerhed.
- ▶ **Forsøg aldrig at reparere beskadigede batterier.** Al vedligeholdelse af batterier skal foretages af producenten eller af autoriserede forhandlere.



## 2.2 Sikkerhedsanvisninger for savning med frem- og tilbagegående savklinge

- ▶ **Hold elværktøjet på de isolerede grebsflader, når du udfører opgaver, hvor indsatsværktøjet kan ramme skjulte strømledninger.** Ved kontakt med en spændingsførende ledning kan også metalliske værktøjsdele sættes under spænding, hvilket kan medføre elektrisk stød.
- ▶ **Emnet skal fastgøres og sikres på et stabilt underlag med skruetvinger eller på anden vis.** Hvis du kun holder emnet med hånden eller mod din krop, ligger det ustabil, hvilket kan medføre, at du mister kontrollen over det.

## 2.3 Yderligere sikkerhedsanvisninger

- ▶ Anvend kun produktet og tilbehøret i teknisk fejlfri stand.
- ▶ Foretag aldrig manipulationer eller ændringer på produkt eller tilbehør.
- ▶ Støv, der dannes ved slibning, skæring og boring, kan indeholde farlige kemikalier. Nogle eksempler er: Bly eller maling på blybasis; Tegl, beton og andre murværksprodukter, natursten og andre silikatholdige produkter; Bestemte træsorter som eg, bøg og kemisk behandlet træ; Asbest eller asbestholdige materialer. Bestem eksponeringen for brugeren og omkringstående personer ved hjælp af fareklassen for de materialer, der arbejdes på. Træf de nødvendige foranstaltninger for at holde eksponeringen på et sikkert niveau, f.eks. ved at bruge et støvopsamlingsystem eller brug af et passende åndedrætsværn. Generelle foranstaltninger til at reducere eksponeringen omfatter bl.a.:
  - ▶ Arbejde i et godt ventileret område,
  - ▶ Undgå længere tids kontakt med støv,
  - ▶ Lede støv bort fra ansigt og krop,
  - ▶ Brug beskyttende beklædning og vaske eksponerede områder med vand og sæbe.
- ▶ Fare for personskader på grund af værktøj og/eller tilbehør, som falder på jorden. Kontrollér før arbejdets begyndelse, at det monterede tilbehør er sikkert fastgjort.
- ▶ Hold altid ventilationsåbningerne fri. Fare for forbrændinger på grund af tildækkede ventilationsåbninger!
- ▶ Hold hyppigt pauser, og lav øvelser, så fingrene får bedre blodgennemstrømning. Ved længerevarende arbejde kan vibrationer medføre forstyrrelser af fingrenes, hændernes eller håndleddenes blodkar og nervesystem.
- ▶ Fastgør ikke en bæltékrog på dette produkt.
- ▶ Kig ikke direkte ind i produktets lampe (lysdiode), og lys ikke ind i ansigtet på andre personer. Der er fare for at blive blændet.
- ▶ Brugeren og personer, der opholder sig i nærheden, skal under brugen af produktet bære øjenværn, sikkerhedshjelm, høreværn, beskyttelseshandsker og et let åndedrætsværn.
- ▶ Splinterne fra materialet kan medføre skader på legeme og øjne. Brug personligt beskyttelsesudstyr, og hav altid øjenværn og beskyttelseshandsker på.
- ▶ Brug beskyttelseshandsker, når du skifter værktøj. Berøring af indsatsværktøjet kan medføre snitsår og forbrændinger.
- ▶ Hold hænderne væk fra saveområdet og savklingen. Hold produktet med den anden hånd på motorhuset, hvis der er brug for støtte. Når du bruger begge hænder til at holde saven, kommer du ikke til skade med hænderne på saven.
- ▶ Vent, indtil produktet er standset helt, før du lægger det fra dig.
- ▶ Anvend ikke sløve eller beskadigede savklinger. De forårsager en højere friktion, fastklemning af savklingen eller tilbageslag.
- ▶ Fastgør emnet på en stabil holder. Hold aldrig emnet i hånden eller over et ben.
- ▶ Tænd først produktet, når det er i arbejdsposition.
- ▶ Før altid produktet væk fra kroppen under arbejdet.
- ▶ Tag ikke fat under emnet.
- ▶ Arbejd med et moderat tryk på maskinen og en egnet skærehastighed, specielt ved store rørdiameter. Dette forhindrer overophedning af produktet.
- ▶ Anvend altid en savklinge med en passende længde. Savklingen skal rage ud over emnet under hele vandringeren.
- ▶ Sav aldrig i ukendte underlag, og hold skærelinjen fri for forhindringer øverst og nederst.
  - ▶ Savklingen kan slå tilbage, hvis den rammer en genstand.
- ▶ Bring armene i en position, hvor du kan absorbere tilbageslagskræfterne.
- ▶ Maskinen skal presses mod det emne, der skal bearbejdes, med anslaget. Dette garanterer et optimalt og sikkert arbejde.
- ▶ Hold dig altid på siden af savklingen, anbring aldrig kroppen på linje med savklingen. Ved et tilbageslag kan saven springe baglæns!





- ▶ Hvis savklingen sætter sig fast, eller du afbryder arbejdet, skal du slukke saven og holde saven roligt, indtil savklingen står helt stille. Forsøg aldrig at tage saven ud af emnet eller trække den baglæns, så længe savklingen bevæger sig, da der ellers er risiko for et tilbageslag.
- ▶ Hvis du vil starte en sav, som befinder sig i et emne, skal du centrere savklingen i savsporet og kontrollere, at savtænderne ikke sidder fast i emnet.
- ▶ Vær specielt forsigtig ved savning i eksisterende vægge eller andre områder, hvor du ikke kan se, hvad de indeholder. Den neddykkende savklinge kan blokere ved savning i skjulte genstande og medføre et tilbageslag.
- ▶ Aktiver transportsikringen ved opbevaring og transport af produktet.
- ▶ Overhold producentens anvisninger for håndtering og opbevaring af savklinger.
- ▶ Ved gennembrydningsarbejde skal du huske at sikre området på den modsatte side.
- ▶ Kontrollér før påbegyndelse af arbejdet arbejdsområdet for skjulte elektriske ledninger, gas- og vandrør, f.eks. med en metaldetektor. Udvendige metaldele på produktet kan medføre elektrisk stød eller forårsage en eksplosion, hvis du beskadiger en elledning, et gasrør eller et vandrør.
- ▶ Ved overskæring af rørledninger skal produktet holdes højere end den rørledning, der skal skæres over.
  - ▶ Produktet har ingen beskyttelse mod indtrængen af fugt. Udstømmende væske kan forårsage en kortslutning i produktet.
- ▶ Ved kapning af rørledninger skal du forvisse dig om, at ledningerne ikke længere indeholder væske. I givet fald skal de tømmes.

## 2.4 Omhyggelig omgang med og brug af batterier

- ▶ **Overhold følgende sikkerhedsforanstaltninger for sikker håndtering og brug af Li-ion-batterier.** I modsat fald kan det medføre hudirritation, alvorlige ætsningsskader, kemiske forbrændinger, brand og/eller eksplosion.
- ▶ Anvend kun batterier i teknisk fejlfri stand.
- ▶ Batterier skal behandles forsigtigt for at undgå beskadigelser og udslip af meget sundhedsskadelige væsker!
- ▶ Batterier må under ingen omstændigheder modificeres eller manipuleres!
- ▶ Batterierne må ikke adskilles, klemmes, opvarmes til over 80 °C eller brændes.
- ▶ Anvend og oplad ikke batterier, som har fået stød eller på anden vis er blevet beskadiget. Kontrollér regelmæssigt dine batterier for tegn på skader.
- ▶ Anvend aldrig genbrugte eller reparerede batterier.
- ▶ Anvend aldrig batteriet eller et batteridrevet elværktøj som slagværktøj.
- ▶ Udsæt aldrig batterier for direkte solstråling, høj temperatur, gnister eller åben ild. Det kan medføre eksplosion.
- ▶ Berør ikke batteripolerne med dine fingre, værktøj, smykker eller andre elektrisk ledende genstande. Det kan beskadige batteriet og medføre personskader og materielle skader.
- ▶ Hold batterier på sikker afstand af regn, fugt og væsker. Indtrængende fugt kan medføre kortslutninger, elektrisk stød, forbrændinger, brand og eksplosion.
- ▶ Brug kun ladere og elværktøj, der er beregnet til denne batteritype. Overhold i den forbindelse oplysningerne i de tilhørende brugsanvisninger.
- ▶ Anvend og opbevar ikke batteriet i eksplosionsfarlige omgivelser.
- ▶ Hvis batteriet er for varmt til at kunne røres, kan det være defekt. Anbring batteriet på et overskueligt, ikke-brændbart sted med tilstrækkelig afstand til brændbare materialer. Lad batteriet køle af. Hvis batteriet efter en time fortsat er for varmt til at kunne røres, er det et defekt. Kontakt **Hilti Service** eller læs dokumentet "Anvisninger om sikkerhed og anvendelse af **Hilti** Li-ion-batterier".



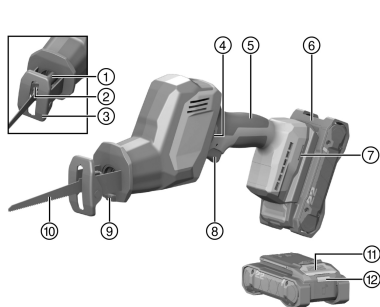
Vær opmærksom på de særlige retningslinjer, der gælder for transport, opbevaring og brug af Li-ion-batterier.

Læs anvisningerne vedrørende sikkerhed og anvendelse til **Hilti** Li-ion-batterier, som du kan finde ved at scanne QR-koden sidst i denne brugsanvisning.



### 3 Beskrivelse

#### 3.1 Produktoversigt



- ① Låseanordning, savklinge
- ② Værktøjsholder, savklinge
- ③ Anslag
- ④ Transportsikring
- ⑤ Håndgreb
- ⑥ Batteri
- ⑦ Monteringsåbning til tilbehør
- ⑧ Afbryder
- ⑨ Arbejdsområdebelysning (lysdiode)
- ⑩ Savklinge
- ⑪ Batterifrigøringsknap
- ⑫ Statusindikator for batteri

#### 3.2 Bestemmelsesmæssig anvendelse

Det beskrevne produkt er en batteridrevet bajonetsav. Den er beregnet til kapning af træ, træliggende og metalliske materialer, tegl samt kunststoffer.

Produktet er beregnet til enhåndsbetjening.

- Brug kun **Hilti** Nuron Li-ion-batterier fra serien B 22 til dette produkt. Af hensyn til en optimal effekt anbefaler **Hilti** at bruge de batterier, der fremgår af tabellen i slutningen af denne brugsanvisning, til dette produkt.
- Anvend kun **Hilti**-ladere fra de serier, der fremgår af tabellen i slutningen af denne brugsanvisning, til disse batterier.

#### 3.3 Potentiel forkert brug

- ▶ Sav ikke i beton, gasbeton, natursten eller klinker.
- ▶ Anvend ikke produktet til overskæring af rørdninger, som fortsat indeholder væske.
- ▶ Sav kun i underlag, hvor du kender indholdet.

#### 3.4 Leveringsomfang

Bajonetsav, brugsanvisning.

Andre systemprodukter, som er godkendt til dit produkt, finder du i **Hilti Store** eller på: [www.hilti.group](http://www.hilti.group)

#### 3.5 Li-ion-batteriets indikatorer

**Hilti** Nuron Li-ion-batterier kan vise ladetilstand, fejlmeddelelser og batteriets tilstand.

##### 3.5.1 Visning af ladetilstand og fejlmeddelelser

#### ADVARSEL

**Fare for personskader på grund af batteri, der falder på gulvet!**

- ▶ Sørg for, at du ved isat batteri efter tryk på frigøringsknappen bringer batteriet korrekt i indgreb igen i det anvendte produkt.

For at få en af følgende visninger skal du trykke kort på batteriets frigøringsknap.

Ladetilstanden og evt. fejl vises også konstant, så længe det tilsluttede produkt er tændt.

Tilstand	Betydning
Fire (4) LED'er lyser konstant grønt	Ladetilstand: 100 % til 71 %
Tre (3) LED 'er lyser konstant grønt	Ladetilstand: 70 % til 51 %
To (2) LED 'er lyser konstant grønt	Ladetilstand: 50 % til 26 %
En (1) LED lyser konstant grønt	Ladetilstand: 25 % til 10 %
En (1) LED blinker langsomt grønt	Ladetilstand: < 10 %



Tilstand	Betydning
En (1) LED blinker hurtigt grønt	Li-ion-batteriet er helt afladet. Oplad batteriet. Hvis LED'en stadig blinker hurtigt efter opladning af batteriet, bedes du kontakte <b>HiltiService</b> .
En (1) LED blinker hurtigt gult	Li-ion-batterier eller det dermed forbundne produkt er overbelastet, er for varmt, for koldt, eller der foreligger en anden fejl. Bring produktet og batteriet op på den anbefalede arbejdstemperatur, og overbelast ikke produktet under anvendelsen. Hvis meddelelsen stadig vises, bedes du kontakte <b>HiltiService</b> .
En (1) LED lyser gult	Li-ion-batteriet og det dermed forbundne produkt er ikke kompatible. Kontakt <b>Hilti Service</b> .
En (1) LED blinker hurtigt rødt	Li-ion-batteriet er låst og kan ikke længere anvendes. Kontakt <b>Hilti Service</b> .

### 3.5.2 Visning om batteriets tilstand

Hvis du ønsker at aflæse batteriets tilstand, skal du holde frigøringsknappen inde i mere end tre sekunder. Systemet registrerer ingen potentielle funktionsfejl for batteriet som følge af misbrug som f.eks. nedstyrning, perforeringer, eksterne varmeskader osv.

Tilstand	Betydning
Alle lysdioder lyser som løbelys, og derefter lyser én (1) lysdiode grønt.	Batteriet kan fortsat benyttes.
Alle lysdioder lyser som løbelys, og derefter blinker én (1) lysdiode hurtigt gult.	Forespørgslen om batteriets tilstand kunne ikke afsluttes. Gentag proceduren, eller kontakt <b>Hilti Service</b> .
Alle lysdioder lyser som løbelys, og derefter lyser én (1) lysdiode rødt.	Hvis et tilsluttet produkt fortsat kan benyttes, er den resterende batterikapacitet under 50%. Hvis et tilsluttet produkt ikke længere kan benyttes, er batteriet ved slutningen af sin levetid og skal udskiftes. Kontakt <b>Hilti Service</b> .

## 4 Tekniske data

### 4.1 Bajonetsav

	SR 4-22
Produktgeneration	02
Nominal spænding	21,6 V
Vægt i henhold til EPTA Procedure 01 uden batteri	2 kg
Slagtal	0/min ... 3.000/min
Slaglængde	23,2 mm
Værktøjsholder uden nøgle til standardværktøjer	1/2 in
Opbevaringstemperatur	-20 °C ... 70 °C
Omgivende temperatur under drift	-17 °C ... 60 °C

### 4.2 Batteri

Batteriets driftsspænding	21,6 V
Vægt, batteri	Se bagest i denne brugsanvisning
Omgivende temperatur under drift	-17 °C ... 60 °C



Opbevaringstemperatur	-20 °C ... 40 °C
Batteriets temperatur ved start af ladning	-10 °C ... 45 °C

### 4.3 Støjinformation og vibrationsværdier

Lydtryk- og vibrationsværdier i denne brugsanvisning er målt i henhold til en standardiseret målemetode og kan anvendes til sammenligning af forskellige elværktøjer. De kan også anvendes til en foreløbig vurdering af den eksponering, brugeren udsættes for.

De anførte data repræsenterer elværktøjets primære anvendelsesformål. Hvis elværktøjet imidlertid anvendes til andre formål, med andre indsatsværktøjer eller utilstrækkelig vedligeholdelse, kan dataene afvige. Dette kan forøge den eksponering, som brugeren udsættes for, i hele arbejdstiden markant.

For at opnå en præcis vurdering af den eksponering, som brugeren udsættes for, bør også den tid, hvor elværktøjet er slukket eller blot kører uden at blive anvendt, inddrages. Dette kan reducere den eksponering, som brugeren udsættes for, i hele arbejdstiden markant.

Fastlæg yderligere sikkerhedsforanstaltninger til beskyttelse af brugeren mod støj- og/eller vibrationspåvirkninger, f.eks. er det vigtigt at vedligeholde elværktøj og indsatsværktøj, at holde hænderne varme og at organisere arbejdsprocesserne.



Du finder detaljerede oplysninger om de anvendte versioner af de **EN 62841**-standarder, der skal anvendes, på billedet af overensstemmelseserklæringen 218.

### Støjinformation

	SR 4-22
Lydeffektniveau ( $L_{WA}$ )	95 dB(A)
Usikkerhed, lydeffektniveau ( $K_{WA}$ )	5 dB(A)
Lydtrykniveau ( $L_{pA}$ )	87 dB(A)
Usikkerhed, lydtrykniveau ( $K_{pA}$ )	5 dB(A)

### Vibrationsoplysninger

Vibrationsemissionsværdi, savning i spånbjælker ( $a_{h,B}$ )	B 22-55	12,8 m/s <sup>2</sup>
	B 22-85	11,1 m/s <sup>2</sup>
Vibrationsemissionsværdi, savning i træbjælker ( $a_{h,WB}$ )	B 22-55	11,5 m/s <sup>2</sup>
	B 22-85	12,2 m/s <sup>2</sup>
Usikkerhed (K)		1,5 m/s <sup>2</sup>

## 5 Betjening

### 5.1 Opladning af batteri

- Læs brugsanvisningen til laderen før opladning.
- Vær opmærksom på, at kontakterne på batteriet og laderen er rene og tørre.
- Oplad batteriet i en godkendt lader. 30

### 5.2 Isætning af batteri

#### ADVARSEL

**Fare for personskader på grund af kortslutning eller batteri, der falder på gulvet!**

- Før isætning af batteriet skal du kontrollere, at batteriets kontakter og kontakterne på produktet er fri for fremmedlegemer.
- Kontrollér, at batteriet altid går korrekt i indgreb.

- Lad batteriet helt op før første ibrugtagning.
- Skub batteriet ind i produktet, indtil det går hørbart i indgreb.
- Kontrollér, at batteriet er sat korrekt i.

### 5.3 Fjernelse af batteri

- Tryk på batteriets frigøringsknap.



2. Træk batteriet ud af produktet.

## 5.4 Faldsikring

### ADVARSEL

**Fare for personskader** som følge af nedfaldende værktøj og/eller tilbehør!

- ▶ Anvend kun den **Hilti**-værktøjssikkerhedsline, som er beregnet til dit produkt.
- ▶ Kontrollér værktøjssikkerhedslinens fastgørelsespunkt for mulige skader før hver brug.



Overhold nationale retningslinjer for opgaver i højden.

Brug kun en kombination af **Hilti** faldsikringen #2293133 og **Hilti** værktøjslinen #2261970 som nedstyrtnings-sikring for dette produkt.

- ▶ Fastgør faldsikringen i monteringsåbningerne for tilbehør. Kontrollér, at den sidder sikkert.
- ▶ Fastgør den ene karabinhage på værktøjslinen til faldsikringen og den anden karabinhage til en bærende struktur. Kontrollér, at begge karabinhager sidder sikkert.



Overhold brugsanvisningerne for **Hilti** faldsikringen og **Hilti** værktøjslinen.

## 5.5 Indsætning af savklinge



Anvend kun savklinger med 1/2" indstiksender.

1. Kontrollér, at indstiksenden på værktøjet er ren og let indfedtet. Rengør og smør om nødvendigt indstiksenden let.
2. Drej værktøjsholderens låseanordning mod uret, og hold den nede.
3. Tryk savklingen ind i værktøjsholderen forfra.
4. Lad låseanordningen glide tilbage, indtil den går hørbart i indgreb.
5. Kontrollér, om savklingen er gået i indgreb, ved at trække i den.

## 5.6 Fjernelse af savklinge

### FORSIGTIG

**Fare for personskader!** Indsatsværktøjet kan være meget varmt og/eller have skarpe kanter.

- ▶ Brug beskyttelseshandsker ved skift af indsatsværktøjet.
- ▶ Læg aldrig et meget varmt indsatsværktøj på et brændbart underlag.

1. Drej værktøjsholderens låseanordning mod uret, og hold den nede.
2. Træk savklingen fremad og ud af værktøjsholderen.
3. Lad låsetylen glide tilbage.

## 6 Betjening

Følg sikkerheds- og advarselshenvisningerne i denne dokumentation og på produktet.

### 6.1 Savning

#### ADVARSEL

**Fare for personskader på grund af savens efterløb !**

- ▶ Løft først produktet op fra emnet, når den er standset helt.
- ▶ Vent, indtil produktet er standset helt, før du lægger det fra dig.

1. Deaktiver transportsikringen, og tryk på afbryderen.
2. Når savearbejdet er afsluttet, skal du slippe afbryderen.
3. Aktiver transportsikringen.



## 7 Rengøring og vedligeholdelse

---

### ADVARSEL

#### Fare for personskader ved isat batteri !

- Fjern altid batteriet før alle pleje- og vedligeholdelsesarbejder!
- 

#### Pleje af produktet


- Fjern fastsiddende snavs forsigtigt.
- Rengør forsigtigt evt. ventilationsåbninger med en tør, blød børste.
- Rengør kun huset med en let fugtig klud. Brug ikke silikoneholdige plejemidler, da de kan angribe plastdelene.
- Rengør og smør regelmæssigt værktøjsholderen udefra. Anvend til dette formål **Hilti** Spray 314648.
- Brug en ren, tør klud til at rengøre kontakterne på produktet.

#### Pleje af Li-ion-batterier

- Anvend aldrig et batteri, hvis ventilationsåbningerne er tilstoppede. Rengør forsigtigt ventilationsåbningerne med en tør, blød børste.
- Undgå, at batteriet unødigt udsættes for støv og snavs. Udsæt aldrig batteriet for høj fugtighed (f.eks. dyppe det i vand eller lade det stå ude i regnvej). Hvis et batteri er blevet gennemvådt, skal det behandles som et beskadiget batteri. Isolér det i en ikke-brændbar beholder, og kontakt **Hilti** Service.
- Hold batteriet frit for udefrakommende olie og fedt. Lad ikke unødigt støv og snavs samle sig på batteriet. Rengør batteriet med en tør, blød børste eller en ren, tør klud. Brug ikke silikoneholdige plejemidler, da de kan angribe plastdelene. Berør ikke batteriets kontakter, og fjern ikke det fedt fra kontakterne, som er påført fra fabrikken.
- Rengør kun huset med en let fugtig klud. Brug ikke silikoneholdige plejemidler, da de kan angribe plastdelene.

#### Vedligeholdelse

- Kontrollér regelmæssigt alle synlige dele for skader og betjeningslementerne for fejlfri funktion.
  - Anvend ikke produktet i tilfælde af beskadigelse og/eller funktionsfejl. Få straks produktet repareret af **Hilti** Service.
  - Monter alle beskyttelsesanordninger efter pleje- og vedligeholdelsesarbejder, og kontrollér dem for korrekt funktion.
- 

-  Anvend kun originale reservedele og forbrugsmaterialer af hensyn til en sikker drift. Reservedele, forbrugsmaterialer og tilbehør til dit produkt, som **Hilti** har godkendt, finder du i din **Hilti** Store eller under: [www.hilti.group](http://www.hilti.group)
- 

## 8 Transport og opbevaring

---

### Transport af batteridrevne værktøjer og batterier

#### FORSIGTIG

#### Utilisiget start ved transport !

- Transportér altid dine produkter uden isat batteri!
- Tag batteriet/batterierne af.
- Transportér aldrig batterier liggende løst og ubeskyttet. Under transporten bør batterierne beskyttes mod hårde slag og vibrationer og isoleres fra enhver form for ledende materialer eller andre batterier, så de ikke kommer i kontakt med andre batteripoler og forårsager en kortslutning. **Overhold de lokale transportforskrifter for batterier.**
- Batterier må ikke sendes med posten. Henvend dig til et transportfirma, hvis du ønsker at sende ubeskadigede batterier.
- Kontrollér produktet og batterierne for skader hver gang før brug og før og efter længere transport.

#### Opbevaring af batteridrevne værktøjer og batterier

#### ADVARSEL

#### Utilisiget beskadigelse på grund af defekte eller utætte batterier !

- Opbevar altid dine produkter uden isat batteri!
- 



- ▶ Opbevar produkt og batterier køligt og tørt. Overhold de temperaturgrænser, der fremgår af de tekniske data 31.
- ▶ Opbevar ikke batterier i laderen. Tag batteriet ud af laderen, når opladningen er gennemført.
- ▶ Opbevar aldrig batterier i direkte sollys, på varmekilder eller i et vindue.
- ▶ Opbevar produkt og batterier utilgængeligt for børn og uvedkommende personer.
- ▶ Kontrollér produktet og batterierne for skader hver gang før brug og før og efter længere tids opbevaring.

## 9 Fejlafhjælpning

Vær opmærksom på batteriets ladetilstand- og fejlindikator ved alle fejl. Se kapitlet **Li-ion-batteriets indikatorer**.

Ved fejl, som ikke fremgår af denne tabel, eller som du ikke selv kan afhjælp, beder vi dig om at kontakte **Hilti Service**.

Fejl	Mulig årsag	Løsning
Batteriet aflades hurtigere end normalt.	Batteritilstanden er ikke optimal.	▶ Aflæs batteriets tilstand.  30
Batteriet går ikke i indgreb med et hørbart klik.	Holdetappen på batteriet er snavset.	▶ Rengør låsetappen, og sæt batteriet i igen.
Lysdioder er ikke aktive.	Batteriet er ikke korrekt isat.	▶ Bring batteriet i indgreb med et hørbart klik.
	Batteriet er defekt.	▶ Kontakt <b>Hilti Service</b> .
Savklingen kan ikke fjernes fra værktøjsholderen.	Låsegrebet ikke trykket ned indtil anslag.	▶ Drej låsegrebet indtil anslag, og tag savklingen ud.
	Værktøjsholder med tilstoppet med saverester.	▶ Fjern saveresterne, og rengør regelmæssigt værktøjsholderen udefra. Pleje af produktet.  34
Produktet har ikke fuld ydelse.	Afbryderen er ikke trykket helt ind.	▶ Tryk afbryderen helt i bund.
	Aflad batteri.	▶ Udskift batteriet, og oplad det tomme batteri.
Savklingen kan ikke fjernes fra værktøjsholderen.	Låseanordningen er ikke drejet til anslag.	▶ Drej låseanordningen til anslag, og tag savklingen ud.

## 10 Bortskaffelse

### ADVARSEL

**Fare for personskader på grund af ukorrekt bortskaffelse!** Sundhedsfare på grund af udtrængen af gasser eller væsker.

- ▶ Beskadede batterier må under ingen omstændigheder sendes!
- ▶ Tildæk kontakterne med et ikke-ledende materiale, så kortslutninger undgås.
- ▶ Bortskaf batterier på en sådan måde, at børn ikke kan få fat på dem.
- ▶ Bortskaf batteriet hos din **Hilti Store**, eller henvend dig til det ansvarlige renovationsfirma.

Størstedelen af de materialer, som anvendes ved fremstillingen af **Hilti**-produkter, kan genvindes. Materialerne skal dog sorteres, før de kan genvindes. I mange lande kan du aflevere dine udtjente produkter til **Hilti**, som derefter genvinder dem. Spørg **Hilti**s kundeservice eller din forhandler.



- ▶ Elværktøj, elektriske maskiner og batterier må ikke bortskaffes sammen med almindeligt husholdningsaffald!

## 11 Producentgaranti

- ▶ Hvis du har spørgsmål vedrørende garantibetingelserne, bedes du henvende dig til din lokale **Hilti**-partner.






Yderligere oplysninger vedrørende betjening, teknik, miljø og recycling finder du under følgende link: [qr.hilti.com/manual/?id=2243480&id=2243482](http://qr.hilti.com/manual/?id=2243480&id=2243482)

Denne link finder du også sidst i dokumentationen som QR-kode.

## Originalbruksanvisning

### 1 Anvisninger om bruksanvisning

#### 1.1 Om denna bruksanvisning

- **Varning!** Innan du använder produkten ska du se till att du har läst och förstått den bruksanvisning som medföljer produkten, inklusive instruktioner, säkerhets- och varningsanvisningar, bilder och specifikationer. Gör dig särskilt förtrogen med alla anvisningar, säkerhets- och varningsanvisningar, bilder, specifikationer samt beståndsdelar och funktioner. Vid underlåtenhet att göra detta finns fara för elstötar, brand och/eller allvarliga personskador. Spara bruksanvisningen med alla anvisningar, säkerhets- och varningsanvisningar för senare användning.
- **HILTI**-produkter är avsedda för professionella användare och får endast användas, underhållas och repareras av auktoriserad, utbildad personal. Personalen måste vara särskilt informerad om de risker som finns. Produkten och dess tillbehör kan utgöra en risk om den används på ett felaktigt sätt av utbildad personal eller inte används enligt föreskrifterna.
- Den bifogade bruksanvisningen motsvarar den aktuella tekniska nivån vid tidpunkten för tryckningen. Du hittar alltid den senaste versionen online på Hiltis produktsida. Följ länken eller QR-koden i denna bruksanvisning, som är markerad med symbolen .
- Produkten bör endast överlämnas till andra personer tillsammans med denna bruksanvisning.

#### 1.2 Teckenförklaring

##### 1.2.1 Varningar

Varningarna är till för att varna för risker i samband med användning av produkten. Följande riskindikeringar används:

 **FARA**

**FARA !**

- ▶ Anger överhängande risker som kan leda till svåra personskador eller dödsolycka.

 **VARNING**

**VARNING !**

- ▶ Anger potentiella risker som kan leda till svåra personskador eller dödsfall.

 **FÖRSIKTIGHET**

**FÖRSIKTIGHET !**

- ▶ Används för att uppmärksamma om en potentiell risksituation som kan leda till skador på person eller utrustning.





### 1.2.2 Symboler i bruksanvisningen

I den här bruksanvisningen används följande symboler:

	Observera bruksanvisningen
	Anmärkningar och annan praktisk information
	Hantering av återvinningsbara material
	Elverktyg och batterier får inte kastas i hushållssoporna
	<b>Hilti</b> Litiumjonbatteri
	<b>Hilti</b> Batteriladdare

### 1.2.3 Symboler i bilderna

Följande symboler används i bilderna:

	Dessa siffror hänvisar till motsvarande bild i början av bruksanvisningen.
	Numreringen återger ordningsföljden hos arbetsmomenten på bilden och kan skilja sig från arbetsmomenten i texten.
	På bilden <b>Översikt</b> används positionsnummer som hänvisar till siffrorna i teckenförklaringen i avsnittet <b>Produktöversikt</b> .
	Det här tecknet används när du bör vara särskilt uppmärksam vid hantering av produkten.

## 1.3 Produktberoende symboler

### 1.3.1 Symboler på produkten

Följande symboler kan förekomma på produkten:

	Slaghastighet per minut
	Tomgångsslagastighet
	Likström
	Produkten stöder NFC-teknik, som är kompatibel med iOS- och Android-plattformar.
	Litiumjonbatteri
	Använd aldrig batteriet som slagverktyg.
	Låt inte batteriet falla ner på marken. Använd inte batterier som har utsatts för slag eller på annat sätt har skadats.

## 2 Säkerhet

### 2.1 Allmänna säkerhetsföreskrifter för elverktyg

**⚠ VARNING** Läs noga igenom alla säkerhetsföreskrifter, anvisningar, avbildningar och tekniska data som medföljer detta elverktyg. Om nedanstående anvisningar inte följs, finns risk för elektriska stötar, brand och/eller svåra skador.

**Förvara alla säkerhetsföreskrifter och anvisningarna på ett säkert ställe för framtida användning.**

Begreppet "elverktyg" som används i säkerhetsföreskrifterna avser nätdrivna elverktyg (med nätkabel) och batteridrivna elverktyg (sladdlösa).



## Säker arbetsmiljö

- ▶ **Håll arbetsområdet rent och väl belyst.** Oordning eller bristfällig belysning på arbetsplatsen kan leda till olyckor.
- ▶ **Arbeta inte med elverktyget i omgivningar med explosionsrisk där det finns brännbara vätskor, gaser eller damm.** Elverktyg alstrar gnistor som kan antända dammet eller gaserna.
- ▶ **Håll barn och obehöriga personer på betryggande avstånd under arbetet med elverktyget.** Om du störs av obehöriga personer kan du förlora kontrollen över verktyget.

## Elsäkerhet

- ▶ **Elverktygets elkontakt måste passa till vägguttaget. Elkontakten får absolut inte ändras. Använd inte adapterkontakter tillsammans med skyddsjordade elverktyg.** Originalkontakter och lämpliga vägguttag minskar risken för elstötar.
- ▶ **Undvik kroppskontakt med jordade ytor som rör, värmeelement, spisar och kylskåp.** Det finns en större risk för elstötar om din kropp är jordad.
- ▶ **Skydda elverktyget från regn och väta.** Tränger vatten in i ett elverktyg ökar risken för elstötar.
- ▶ **Använd inte anslutningskabeln på ett felaktigt sätt, t.ex. genom att bära eller hänga upp elverktyget i den eller dra i den för att lossa elkontakten ur vägguttaget. Håll anslutningskabeln på avstånd från värmekällor, olja, vassa kanter och rörliga delar.** Skadade eller tilltrasslade anslutningskablar ökar risken för elstötar.
- ▶ **När du arbetar med ett elverktyg utomhus, använd endast förlängningskablar som är avsedda för utomhusbruk.** Genom att använda en lämplig förlängningskabel för utomhusbruk minskar du risken för elstötar.
- ▶ **Om det är alldeles nödvändigt att använda verktyget i fuktig miljö ska du använda en jordfelsbrytare.** Användning av jordfelsbrytare minskar risken för elstötar.

## Personsäkerhet

- ▶ **Var uppmärksam, ha uppsikt över vad du gör och använd elverktyget med förnuft. Använd aldrig elverktyg om du är trött eller påverkad av droger, alkohol eller medicin.** En kort sekund av bristande uppmärksamhet när du arbetar med ett elverktyg kan leda till att du skadar dig själv eller någon annan svårt.
- ▶ **Bär alltid personlig skyddsutrustning och skyddsglasögon.** Genom att använda personlig skyddsutrustning som t.ex. dammskyddsmask, halkfria säkerhetsskor, hjälm eller hörselskydd, beroende på vilket elverktyg du använder och till vad, minskar du risken för kroppsskada.
- ▶ **Undvik oavsiktlig igångsättning. Se till att elverktyget är fränkopplat innan du ansluter det till nätströmmen och/eller batteriet, tar upp det eller bär det.** Om du bär elverktyget med fingret på strömbrytaren eller ansluter ett tillkopplat verktyg till nätströmmen kan en olycka inträffa.
- ▶ **Ta bort alla inställningsverktyg och skruvnycklar innan du kopplar in elverktyget.** Ett verktyg eller en nyckel i en roterande komponent kan leda till skador.
- ▶ **Undvik en onormal kroppshållning. Se till att du står stadigt och håller balansen.** Då kan du lättare kontrollera elverktyget i oväntade situationer.
- ▶ **Bär lämpliga kläder. Bär inte löst hängande kläder eller smycken. Håll håret, kläderna och handskarna på avstånd från rörliga delar.** Löst hängande kläder, smycken och långt hår kan dras in av roterande delar.
- ▶ **När du använder elverktyg med anordningar för uppsugning och uppsamling av damm, bör du kontrollera att dessa anordningar är rätt monterade och används korrekt.** Används en dammsugare kan faror som orsakas av damm minskas.
- ▶ **Invagga dig inte i falsk säkerhet och strunta inte säkerhetsreglerna för elverktyg även om du har stor vana vid att arbeta med elverktyget.** Oförsiktig hantering kan leda till allvariga skador inom bråkdelar av en sekund.

## Användning och hantering av elverktyg

- ▶ **Överbelasta inte verktyget. Använd elverktyg som är avsedda för det aktuella arbetet.** Med ett lämpligt elverktyg kan du arbeta bättre och säkrare inom angivet effektområde.
- ▶ **Använd aldrig elverktyget om strömbrytaren är defekt.** Ett elverktyg som inte kan kopplas in eller ur är farligt och måste repareras.
- ▶ **Dra ut elkontakten ur uttaget och/eller ta i förekommande fall bort det löstagbara batteriet innan du gör inställningar, byter tillbehör eller lägger ifrån dig verktyget.** Denna skyddsåtgärd förhindrar att du eller någon annan råkar sätta igång elverktyget av misstag.
- ▶ **Förvara elverktyg oåtkomligt för barn. Verktyget får inte användas av personer som inte är vana eller inte har läst dessa anvisningar.** Elverktyg är farliga om de används av oerfarna personer.
- ▶ **Underhåll elverktygen och tillbehören noggrant. Kontrollera att rörliga komponenter fungerar felfritt och inte kärvar och att komponenter inte har brustit eller skadats så att elverktygets**



**funktion påverkas negativt. Se till att skadade delar repareras innan verktyget används igen.** Många olyckor orsakas av dåligt skötta elverktyg.

- ▶ **Håll insatsverktygen skarpa och rena.** Omsorgsfullt skötta insatsverktyg med skarpa egg kommer inte så lätt i kläm och går lättare att styra.
- ▶ **Använd elverktyg, tillbehör, insatsverktyg osv. enligt dessa anvisningar. Ta hänsyn till arbetsvillkoren och arbetsmomenten.** Används elverktyget på icke ändamålsenligt sätt kan farliga situationer uppstå.
- ▶ **Se till att handtaget och greppytorna är torra, rena och fria från olja och fett.** Med hala handtag och gripytor går det inte att hantera och kontrollera elverktyget säkert i oväntade situationer.

#### Användning och hantering av batteriverktyg

- ▶ **Ladda endast batterierna i de laddare som tillverkaren har rekommenderat.** Brandrisk kan uppstå om en laddare som är avsedd för en viss typ av batterier används för andra batterityper.
- ▶ **Använd endast batterier som är avsedda för aktuellt elverktyg.** Används andra batterier finns det risk för kroppsskada och brand.
- ▶ **Håll gem, mynt, nycklar, spikar, skruvar och andra små metallföremål på avstånd från reservbatterier för att undvika kortslutning av kontakterna.** En kortslutning av batteriets kontakter kan leda till brännskador eller brand.
- ▶ **Om batteriet används på fel sätt kan vätska rinna ur batteriet. Undvik kontakt med vätskan. Vid oavsiktlig kontakt, skölj med vatten. Om vätska kommer i kontakt med ögonen, uppsök dessutom läkare.** Batterivätskan kan orsaka hudirritation eller brännskada.
- ▶ **Använd aldrig skadade eller egenhändigt modifierade batterier.** Skadade eller modifierade batterier kan bete sig oförutsägbart och orsaka brand, explosioner eller risk för skador.
- ▶ **Utsätt aldrig batterier för öppen eld eller för höga temperaturer.** Öppen eld eller temperaturer över 130 °C (265 °F) kan orsaka explosion.
- ▶ **Följ alla anvisningar för laddning och ladda aldrig batteriet eller batteriverktyget vid temperaturer som ligger utanför det intervall som anges i bruksanvisningen.** Felaktigt utförd laddning eller laddning vid temperaturer utanför det tillåtna intervallet kan förstöra batteriet och öka risken för brand.

#### Service

- ▶ **Låt endast kvalificerad fackpersonal reparera elverktyget och använd då endast originalreservdelar.** Detta garanterar att verktygets säkerhet upprätthålls.
- ▶ **Utför aldrig underhåll på skadade batterier.** Underhåll av batterier får endast utföras av tillverkaren eller av auktoriserade kundservicecenter.

## 2.2 Säkerhetsanvisningar för sågar med fram- och återgående sågklinga

- ▶ **Håll i elverktygets isolerade greppytor när du utför arbeten där insatsverktyget riskerar att stöta på dolda elledningar.** Vid kontakt med en spänningssatt ledning kan metalldelar på verktyget spänningssättas och ge dig en stöt.
- ▶ **Fäst och säkra verktyget till exempel med tvingar vid ett stabilt underlag.** Om du håller arbetsstycket med handen eller mot kroppen förblir det labilt, vilket kan leda till att du förlorar kontrollen över verktyget.

## 2.3 Extra säkerhetsföreskrifter

- ▶ Använd bara produkten och dess tillbehör om de är fullt funktionsdugliga.
- ▶ Produkten eller dess tillbehör får inte byggas om eller ändras.
- ▶ Damm som uppstår vid slipning, polering, kapning och borring kan innehålla farliga kemikalier. Exempel på sådana är: bly eller blybaserade färger, tegel, betong och andra murverksprodukter, natursten och andra produkter som innehåller silikat, Vissa träslag som ek och bok samt kemiskt behandlat trä, asbest eller material som innehåller asbest. Fastställ exponeringen för användaren och personer i närheten av arbetsområdet genom att kontrollera vilken riskklass det material som ska bearbetas tillhör. Vidta nödvändiga åtgärder för att hålla exponeringen på en säker nivå. Använd t.ex. ett dammuppsamlingsssystem eller bär lämpligt andningsskydd. Allmänna åtgärder för att minska exponeringen är:
  - ▶ Arbeta i ett välventilerat utrymme,
  - ▶ Undvik längre kontakt med damm,
  - ▶ Led bort damm från ansiktet och kroppen,
  - ▶ Bär skyddskläder och tvätta exponerade områden med tvål och vatten.
- ▶ Risk för personskada på grund av nedfallande verktyg och/eller tillbehör. Innan arbetet påbörjas ska du kontrollera att den monterade tillbehöret är korrekt fastsatt.
- ▶ Håll alltid ventilationsspringorna fria. Risk för brännskador om ventilationsspringorna är övertäckta!



- ▶ Ta ofta paus i arbetet och utför fingerövningar som ökar blodgenomströmningen i fingrarna. Vid långvarigt, ihållande arbete kan de starka vibrationerna ge besvär i blodkärl och nerver i fingrarna, händerna och handlederna.
- ▶ Fäst inga bälteshakar på denna produkt.
- ▶ Titta inte direkt in i produktens LED-belysning och undvik att lysa i ansiktet på andra personer. Risk för bländning.
- ▶ Användaren och personer som befinner sig i närheten måste under användningen bära skyddsglasögon, skyddshjälm, hörselskydd, skyddshandskar och lätt andningsskydd.
- ▶ Splitter kan skada oskyddade kroppsdelar och ögon. Använd personlig skyddsutrustning och bär alltid skyddsglasögon och skyddshandskar.
- ▶ Använd skyddshandskar vid verktygsbyte. Det finns risk för skär- och brännskador vid beröring av nys användbara insatsverktyg.
- ▶ Håll händerna borta från sågklingan och området omkring den. Håll i produkten med andra handen på motorkåpan om du behöver extra stöd. Om du håller sågen med båda händerna kan de inte skadas vid sågningen.
- ▶ Vänta tills produkten har stannat helt innan du lägger den ifrån dig.
- ▶ Använd inte slöa eller skadade sågklingor. Dessa orsakar ökad friktion, klämning eller kast hos sågklingan.
- ▶ Fäst arbetsstycket vid ett stabilt underlag. Håll aldrig fast arbetsstycket som ska sågas med handen eller stödd på ena benet.
- ▶ Slå inte på produkten förrän den är i arbetsläge.
- ▶ Rikta alltid produkten bort från kroppen när du arbetar.
- ▶ Håll inte händerna under arbetsstycket.
- ▶ Arbeta med måttligt anpressningstryck och avsedd såghastighet, särskilt vid stora rördiameter. På så vis undviks överhettning av produkten.
- ▶ Använd alltid sågklingor med lämplig längd. Sågklingan måste skjuta ut över arbetsstycket vid komplett slaglängd.
- ▶ Säg aldrig i okända underlag och håll såglinjen fri från hinder på både ovan- och undersidan.
  - ▶ Om sågklingan stöter på ett hårt föremål kan det ge en rekyl upp i produkten.
- ▶ Se till att armarna är i en position där de kan hantera krafter som uppstår vid ett kast.
- ▶ Produkten måste tryckas mot det arbetsstycke som ska bearbetas med kontaktskon. Detta garanterar optimalt och säkert arbete.
- ▶ Håll sågklingan sidledes och se till att aldrig hålla den i linje med kroppen. Vid ett kast kan sågen hoppa bakåt!
- ▶ Om sågklingan fastnar eller om du avbryter arbetet ska du koppla från sågen och hålla kvar sågen stilla tills sågklingan har stannat helt. Försök aldrig att dra ut sågen ur arbetsstycket eller att dra den bakåt så länge klingan roterar och kan göra ett kast.
- ▶ Om du vill starta en såg igen som är instucken i ett arbetsstycke centererar du klingan i sågspåret och kontrollerar att tänderna inte har fastnat i arbetsstycket.
- ▶ Var extra försiktig vid sågning i befintliga väggar eller andra områden som du inte har full uppsikt över. Sågklingan kan fastna i dolda föremål och ett kast kan uppstå.
- ▶ Aktivera tillverkarens anvisningar om hantering och transport av produkten.
- ▶ Observera tillverkarens anvisningar om hantering och förvaring av sågklingor.
- ▶ Vid genombrottsarbeten, tänk på att säkra området på motstående sida.
- ▶ Undersök om det finns dolda el-, gas- och vattenledningar inom arbetsområdet innan du påbörjar arbetet. Utanpåliggande metalldelar på produkten kan orsaka elstöt eller explosion om du skadar en el-, gas- eller vattenledning.
- ▶ Håll produkten högre än den ledning som ska kapas vid kapning av rörledningar.
  - ▶ Produkten är inte skyddad mot fukt. Vätska som rinner ut kan orsaka kortslutning i produkten.
- ▶ När du ska kapa rörledningar, se alltid efter att det inte är någon vätska kvar i ledningarna. Töm dem vid behov.

## 2.4 Omsorgsfull hantering och användning av batterier

- ▶ **Observera följande säkerhetsanvisningar för säker hantering och användning av litiumjonbatterier.** Om åtgärderna inte följs kan det leda till hudirritation, svåra frätskador, kemiska brännskador, bränder och/eller explosioner.
- ▶ Använd endast batterier som är fullt funktionsdugliga.
- ▶ Hantera batterierna varsamt för att undvika skador och läckage av hälsovådliga syror!
- ▶ Batterier får absolut inte modifieras eller manipuleras!



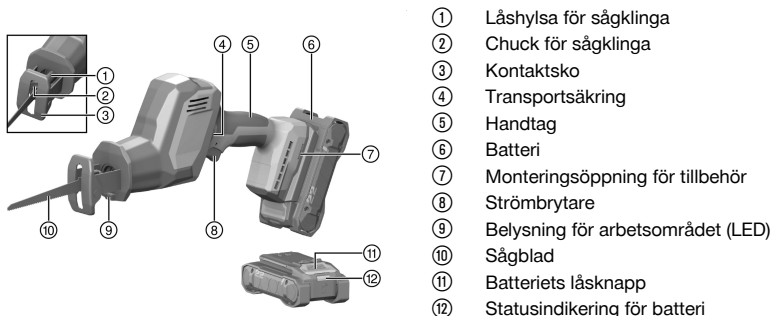
- ▶ Batterier får inte tas isär, klämmas, upphettas till mer än 80 °C (176 °F) eller brännas upp.
- ▶ Använd inte och ladda inte batterier som har utsatts för slag eller på annat sätt är skadade. Kontrollera batterierna regelbundet för att se om de uppvisar tecken på skador.
- ▶ Använd aldrig återvunna eller reparerade batterier.
- ▶ Använd aldrig batteriet eller ett batteridrivet elverktyg som slagverktyg.
- ▶ Utsätt aldrig batterierna för direkt solljus, förhöjda temperaturer, gnistor eller öppna lågor. Detta kan leda till explosioner.
- ▶ Rör inte batteripolerna med dina fingrar, verktyg, smycken eller andra elektriskt ledande föremål av metall. Detta kan skada batteriet och orsaka såväl materiella skador som personskador.
- ▶ Håll batterierna borta från regn, väta och vätskor. Fukt som tränger sig in kan orsaka kortslutningar, elstötar, brännskador och explosioner.
- ▶ Använd endast batteriladdare och elverktyg som är avsedda för denna typ av batteri. Läs också igenom uppgifterna i motsvarande bruksanvisning.
- ▶ Använd inte och förvara inte batteriet i explosionsfarliga miljöer.
- ▶ Om batteriet är så hett att du inte kan ta i det kan det vara defekt. Ställ batteriet på en plats där inget riskerar att fatta eld och på betryggande avstånd från brännbart material. Låt batteriet svalna. Om batteriet efter en timme fortfarande är så hett att det inte går att ta i är det defekt. Kontakta **Hilti**-service eller läs dokumentet "Säkerhetsanvisningar vid användning av **Hilti** litiumjonbatterier".



Följ de särskilda föreskrifter som gäller för transport, förvaring och användning av litiumjonbatterier. Läs säkerhetsanvisningarna för användning av **Hilti** litiumjonbatterier som du hittar genom att skanna QR-koden i slutet av denna bruksanvisning.

### 3 Beskrivning

#### 3.1 Produktöversikt



- ① Låshylsa för sågklinga
- ② Chuck för sågklinga
- ③ Kontaktsko
- ④ Transportsäkring
- ⑤ Handtag
- ⑥ Batteri
- ⑦ Monteringsöppning för tillbehör
- ⑧ Strömbrytare
- ⑨ Belysning för arbetsområdet (LED)
- ⑩ Sågblad
- ⑪ Batteriets låsknapp
- ⑫ Statusindikering för batteri

#### 3.2 Avsedd användning

Den beskrivna produkten är en batteridrivna tigersåg. Den är avsedd för kapning av trä, träliknande material, metall, tegel och plast.

Produkten är avsedd att användas med en hand.

- Använd bara **Hilti** Nuron-litiumjonbatterier av typen B 22 med den här produkten. För optimal effekt rekommenderar **Hilti** att batterierna som anges i tabellen i slutet av bruksanvisningen används för denna produkt.
- Använd endast **Hilti**-batteriladdare från de typserier som anges i tabellen i slutet av bruksanvisningen för dessa batterier.

#### 3.3 Möjlig felanvändning

- ▶ Såga inte i betong, lättbetong, natursten eller kakel.
- ▶ Använd inte produkten för kapning av ledningar som fortfarande kan innehålla vätska.
- ▶ Såga inte i okända material.



### 3.4 Leveransinnehåll

Tigersåg, bruksanvisning.

Dessutom finns fler systemprodukter för din produkt både i närmaste **Hilti Store** och på nätet: [www.hilti.group](http://www.hilti.group)

### 3.5 Indikering för litiumjonbatteriet

**Hilti** Nuron litiumjonbatterier kan visa laddningsstatus, felmeddelanden och batteristatus.

#### 3.5.1 Visning av laddningsstatus och felmeddelanden

##### VARNING

**Risk för personskada på grund av nedfallande batterier.**

- När du har satt i batteriet och tryckt ner frigöringsknappen, kontrollera att batteriet har hakat i korrekt i verktyget igen.

För att visa följande indikeringar, tryck ner batteriets frigöringsknapp.

Laddningsstatus och eventuella störningar visas så länge den anslutna produkten är påslagen.

Status	Betydelse
Fyra (4) lysdioder lyser med fast grönt sken	Laddningsstatus: 100 % till 71 %
Tre (3) lysdioder lyser med fast grönt sken	Laddningsstatus: 70 % till 51 %
Två (2) lysdioder lyser med fast grönt sken	Laddningsstatus: 50 % till 26 %
En (1) lysdiod lyser med fast grönt sken	Laddningsstatus: 25 % till 10 %
En (1) lysdiod blinkar långsamt grönt	Laddningsstatus: < 10 %
En (1) lysdiod blinkar snabbt grönt	Litiumjonbatteriet är helt urladdat. Ladda batteriet. Kontakta <b>Hilti-service</b> om lysdioden fortfarande blinkar snabbt efter att batteriet har laddats.
En (1) lysdiod blinkar snabbt gult	Litiumjonbatteriet eller den anslutna produkten är överbelastad, för varm, för kall eller så föreligger ett annat fel. Ställ in produkten och batteriet på den rekommenderade arbetstemperaturen och undvik att överbelasta produkten vid användning. Kontakta <b>Hilti-service</b> om meddelandet kvarstår.
En (1) lysdiod lyser gult	Litiumjonbatteriet och produkten är inte kompatibla med varandra. Kontakta <b>Hilti-service</b> .
En (1) lysdiod blinkar snabbt rött	Litiumjonbatteriet är spärrat och kan inte användas. Kontakta <b>Hilti-service</b> .

#### 3.5.2 Visning av batteristatus

För att kontrollera batteriets status, håll frigöringsknappen nedtryckt i minst tre sekunder. Systemet registrerar inga potentiella funktionsfel i batteriet till följd av missbruk som t.ex. fall, punkteringsskador, externa värmeskador osv.

Status	Betydelse
Alla lysdioder lyser i turordning och därefter lyser en (1) lysdiod grönt.	Batteriet kan fortfarande användas.
Alla lysdioder lyser i turordning och därefter blinkar en (1) lysdiod snabbt gult.	Begäran om batteristatus kunde inte slutföras. Upprepa proceduren eller kontakta <b>Hilti-service</b> .
Alla lysdioder lyser i turordning och därefter lyser en (1) lysdiod med fast rött sken.	Om en ansluten produkt kan fortsätta användas är den kvarvarande batterikapaciteten under 50 %. Om en ansluten produkt inte kan användas längre har batteriet nått slutet på sin livslängd och måste bytas ut. Kontakta <b>Hilti-service</b> .



## 4 Teknisk information

### 4.1 Tigersåg

	SR 4-22
Produktgeneration	02
Märkspänning	21,6 V
Vikt enligt EPTA Procedure 01 utan batteri	2 kg
Slagtal	0 varv/min ... 3 000 varv/min
Slaglängd	23,2 mm
Nyckelfri chuck för standardverktyg	1/2 in
Förvaringstemperatur	-20 °C ... 70 °C
Omgivningstemperatur vid drift	-17 °C ... 60 °C

### 4.2 Batteri

Batteriets driftspänning	21,6 V
Batteriets vikt	Se slutet av denna bruksanvisning
Omgivningstemperatur vid drift	-17 °C ... 60 °C
Förvaringstemperatur	-20 °C ... 40 °C
Batteritemperatur när laddningen påbörjas	-10 °C ... 45 °C

### 4.3 Bullerinformation och vibrationsvärden

De ljudtrycks- och vibrationsvärden som anges i anvisningarna har uppmätts med en standardiserad mätmetod och kan användas för att jämföra olika elverktyg med varandra. De kan också användas för att göra en preliminär uppskattning av exponeringarna.

De angivna värdena representerar elverktygets huvudsakliga användning. När elverktyget begagnas inom andra områden, med andra insatsverktyg eller med otillräckligt underhåll, kan mätning ge avvikande värden. Det innebär att exponeringen under den totala arbetstiden kan ökas betydligt.

För att uppskattningen av exponeringarna ska bli exakt bör man också räkna in de tider då elverktyget är avstängt eller då det är påslaget men inte används. Det kan betydligt minska exponeringen under den totala arbetstiden.

Vidta även andra säkerhetsåtgärder för att skydda användaren mot effekterna av buller och vibrationer, exempelvis: underhåll av elverktyg och insatsverktyg, möjlighet att hålla händerna varma, välorganiserade arbetsförlopp.



Detaljerad information om de versioner som tillämpas av **EN 62841**-standarderna hittar du på bilden av försäkringen om överensstämmelse 218.

### Bullerinformation

	SR 4-22
Ljudeffektnivå ( $L_{WA}$ )	95 dB(A)
Osäkerhet ljudeffektnivå ( $K_{WA}$ )	5 dB(A)
Ljudtrycksnivå ( $L_{pA}$ )	87 dB(A)
Osäkerhet ljudtrycksnivå ( $K_{pA}$ )	5 dB(A)


### Vibrationsinformation

Vibrationsemissionsvärde vid sågning av spånskivor ( $a_{h,B}$ )	B 22-55	12,8 m/s <sup>2</sup>
	B 22-85	11,1 m/s <sup>2</sup>
Vibrationsemissionsvärde vid sågning av träbjälkar ( $a_{h,wb}$ )	B 22-55	11,5 m/s <sup>2</sup>
	B 22-85	12,2 m/s <sup>2</sup>
Osäkerhet (K)		1,5 m/s <sup>2</sup>



## 5 Användning

### 5.1 Laddning av batteri

1. Läs batteriladdarens bruksanvisning innan du laddar batteriet.
2. Se till att batteriets och batteriladdarens sladdar är rena och torra.
3. Ladda batteriet i en godkänd batteriladdare.  41

### 5.2 Sätta i batteriet

#### VARNING

#### Risk för personskada på grund av kortslutning eller nedfallande batteri!

- ▶ Kontrollera innan du sätter in batteriet i produkten att både batteriets och produktens kontakter är fria från smuts och andra hinder.
  - ▶ Säkerställ att batteriet alltid hakar i ordentligt.
- 
1. Ladda batterierna helt innan de används första gången.
  2. Skjut in batteriet i produkten tills det hakar i med ett klick.
  3. Kontrollera att batteriet sitter stadigt.

### 5.3 Ta ut batteriet

1. Tryck in upplåsningsknappen till batteriet.
2. Dra ut batteriet ur produkten.

### 5.4 Fallskydd

#### VARNING

#### Risk för personskada på grund av nedfallande verktyg och/eller tillbehör!

- ▶ Använd bara den **Hilti**-verktygslina som är rekommenderad för din produkt.
- ▶ Kontrollera om verktygslinans fästpunkt är skadad inför varje användning.


 Observera nationella föreskrifter för arbeten på höga höjder.

Använd uteslutande en kombination av **Hilti** fästband #2293133 med **Hilti** verktygslina #2261970 som fallskydd för denna produkt.

- ▶ Haka fast fästbandet i öppningen för tillbehör. Kontrollera att det sitter stadigt fast.
- ▶ Fäst verktygslinans ena karbinhake i fästbandet och den andra karbinhaken i en bärande struktur. Kontrollera att båda karbinhakarna sitter stadigt fast.

 Följ bruksanvisningen till **Hilti** fästband samt **Hilti** verktygslina.

### 5.5 Sätta i sågbladet

 Använd enbart sågblad med 1/2"-insticksände.

1. Kontrollera att mejselns insticksände är ren och lätt infettad. Rengör och smörj in insticksändan vid behov.
2. Vrid låshylsan på chucken moturs och håll den nedtryckt.
3. Tryck sågbladet framåt in i chucken.
4. Släpp upp låshylsan tills du hör att den snäpper fast.
5. Kontrollera att den sitter fast genom att dra i sågbladet.





## 5.6 Ta bort sågklinga 3

### FÖRSIKTIGHET

**Risk för personskada!** Insatsverktyget kan vara hett och/eller ha skarpa kanter.

- ▶ Använd alltid skyddshandskar när du byter insatsverktyg.
- ▶ Lägg aldrig varma insatsverktyg på ett brännbart underlag.

1. Vrid låshylsan på chucken moturs och håll den nedtryckt.
2. Dra sågklingan framåt ur chucken.
3. Låt låshylsan glida tillbaka.

## 6 Användning

Observera de säkerhets- och varningsanvisningar som du hittar i dokumentationen och på själva enheten.

### 6.1 Sågning

#### VARNING

**Risk för personskada då sågklingans rörelse avklingar efter stopp. !**

- ▶ Lyft inte produkten från arbetsstycket förrän den har stannat fullständigt.
- ▶ Vänta tills produkten stannat helt innan du lägger den ifrån dig.

1. Avaktivera transportsäkring och tryck in strömbrytaren.
2. När du har sågat färdigt släpper du upp strömbrytaren.
3. Aktivera transportsäkring.

## 7 Skötsel och underhåll

#### VARNING

**Risk för personskada vid anslutet batteri !**

- ▶ Ta alltid bort batteriet innan skötsel och underhåll utförs!

### Skötsel av produkten

- Ta försiktigt bort smuts som sitter fast.
- Rengör ventilationsspringorna försiktigt med en torr och mjuk borste i förekommande fall.
- Rengör höljet bara med en lätt fuktad trasa. Använd inte rengöringsmedel med silikon, eftersom det kan skada plastdelarna.
- Rengör och smörj chuckens utsida regelbundet. Använd vår **Hilti**-spray 314648 för detta.
- Använd en ren och torr trasa för att rengöra produktens kontakter.

### Skötsel av litiumjonbatterier

- Använd aldrig ett batteri med tilltäppta ventilationsspringor. Rengör ventilationsspringorna försiktigt med en torr och mjuk borste.
- Undvik att utsätta batteriet för damm eller smuts i onödan. Utsätt aldrig batteriet för hög fuktighet (t.ex. sänka ner det i vatten eller lämna det ute i regnet).  
Om ett batteri har blivit blött behandlar du det som ett skadat batteri. Isolera det i en icke brännbar behållare och kontakta **Hilti**-service.
- Håll batteriet fritt från främmande olja och fett. Låt inte onödigt mycket damm eller smuts ansamlas på batteriet. Rengör batteriet med en mjuk borste eller en ren och torr trasa. Använd inte rengöringsmedel med silikon, eftersom det kan skada plastdelarna.  
Rör inte vid batteriets kontakter och ta inte bort fett på kontakterna som har applicerats i fabriken.
- Rengör höljet bara med en lätt fuktad trasa. Använd inte rengöringsmedel med silikon, eftersom det kan skada plastdelarna.

### Underhåll

- Kontrollera regelbundet att inga synliga delar har skadats och att alla reglage fungerar som de ska.
- Använd inte produkten om den uppvisar skador eller funktionsstörningar. Låt **Hilti Service** reparera produkten omgående.
- Efter skötsel- och underhållsarbeten ska alla skyddsanordningar monteras igen och kontrolleras.



**i** Använd endast originalreservdelar och förbrukningsmaterial för säker drift. Godkända reservdelar, förbrukningsmaterial och tillbehör till din produkt från **Hilti** hittar du i närmaste **Hilti Store** eller på: [www.hilti.group](http://www.hilti.group)

## 8 Transport och förvaring

### Transport av batteridrivna insatsverktyg och batterier

#### FÖRSIKTIGHET

#### Oavsiktlig start under transport. !

- ▶ Transportera alltid produkten utan insatta batterier.
- ▶ Ta ut batteriet/batterierna.
- ▶ Transportera aldrig batterierna löst liggande. Under transport ska batterierna skyddas mot alltför hårda stötar och vibrationer samt hållas isolerade från eventuella ledande material eller andra batterier så att de inte kommer i kontakt med andra batteripoler och orsakar en kortslutning. **Observera lokala transportföreskrifter för batterier.**
- ▶ Batterier får inte skickas per post. Vänd dig till ett fraktbolag om du vill skicka intakta batterier.
- ▶ Kontrollera produkt och batterier före varje användning samt före och efter längre transport för att se till att de inte är skadade.

### Förvaring av batteridrivna insatsverktyg och batterier

#### VARNING

#### Oavsiktlig skada på grund av trasiga eller läckande batterier. !

- ▶ Förvara alltid produkten utan insatta batterier.
- ▶ Förvara produkt och batterier svalt och torrt. Följ de temperaturgränsvärden som anges i den tekniska informationen 43.
- ▶ Förvara inte batterierna i batteriladdaren. Ta alltid ur batteriet ur laddaren när laddningen är klar.
- ▶ Förvara aldrig batterier i solen, på värmekällor eller bakom glas.
- ▶ Förvara produkt och batterier utom räckhåll för barn och obehöriga personer.
- ▶ Kontrollera produkt och batterier före varje användning samt före och efter längre tids förvaring för att se till att de inte är skadade.

## 9 Felsökning

Observera batteriets laddningsstatus- och felindikering vid alla störningar. Se kapitel **Indikeringar för litiumjonbatteri**.

Kontakta **Hilti-service** om det uppstår ett fel som inte finns med i den här tabellen eller som du inte lyckas åtgärda på egen hand.

Fel	Möjlig orsak	Lösning
Batteriet laddas ur fortare än vanligt.	Batteriet fungerar inte optimalt.	▶ Kontrollera batteriets funktion.  42
Batteriet snäpper inte fast med ett hörbart "klick".	Batteriets låsmekanism är smutsig.	▶ Rengör låsmekanismen och sätt i batteriet igen.
Lysdioderna visar inget.	Batteriet har inte satts in helt.	▶ Tryck in batteriet tills du hör ett "klick".
	Fel på batteriet.	▶ Kontakta <b>Hilti-service</b> .
Det går inte att ta ut sågklingan ur chucken.	Fastlåsningssspaken är inte intryckt hela vägen.	▶ Vrid på fastlåsningssspaken tills det tar stopp och ta ut sågklingan.
	Chucken har satts igen av sågresten.	▶ Ta bort sågresterna och rengör regelbundet utsidan av chucken. Skötsel av produkten.  45
Produkten har inte full effekt.	Strömbrytaren är inte helt intryckt.	▶ Tryck in strömbrytaren helt.
	Batteriet är urladdat.	▶ Byt batteri och ladda det tomma batteriet.



Fel	Möjlig orsak	Lösning
Det går inte att ta ur sågbladet ut chucken.	Låshylsan har inte vridits tillräckligt.	► Vrid låshylsan till ändläget och ta ut sågbladet.

## 10 Avfallshantering

### VARNING

**Risk för personskada på grund av felaktig avfallshantering!** Hälsorisk på grund av läckande gaser eller syror.

- Skicka aldrig iväg skadade batterier!
- Täck anslutningarna med ett icke ledande material för att förhindra kortslutningar.
- Kassera batterier så att de inte kan hamna i händerna på barn.
- Kassera batteriet hos din **Hilti Store** eller vänd dig till närmaste återvinningscentral.

**Hilti**-produkter är till stor del tillverkade av återvinningsbara material. En förutsättning för återvinning är att materialen separeras på rätt sätt. I många länder tar **Hilti** tillbaka din gamla enhet för återvinning. Fråga **Hilti** kundservice eller din säljare.



- Kasta inte elverktyg, elektronisk apparatur och batterier i hushållssoporna.

## 11 Tillverkargaranti

- Vänd dig till din lokala **Hilti**-representant om du har frågor om garantivillkoren.

## 12 Ytterligare information



Ytterligare information om drift, teknik, miljö och återvinning hittar du via följande länk: [qr.hilti.com/manual/?id=2243480&id=2243482](http://qr.hilti.com/manual/?id=2243480&id=2243482)

Länken finns också som en QR-kod i slutet av dokumentationen.

## Original bruksanvisning

### 1 Informasjon om bruksanvisningen

#### 1.1 Om denne bruksanvisningen

- **Advarsel!** Før du tar i bruk produktet må du sørge for å ha lest og forstått den medfølgende bruksanvisningen, herunder instruksjonene, sikkerhets- og varselinformasjon, illustrasjoner og spesifikasjoner. Gjør deg særlig kjent med alle instruksjoner, sikkerhets- og varselinformasjon, illustrasjoner, spesifikasjoner samt deler og funksjoner. Ved manglende overholdelse er det fare for elektrisk støt, brann og/eller for alvorlige personskader. Oppbevar bruksanvisningen med alle instruksjoner, sikkerhets- og varselinformasjon for senere bruk.
- **HILTI**-produkter er laget for profesjonell bruk og må kun brukes, vedlikeholdes og repareres av kyndig personale. Dette personalet må informeres spesielt om eventuelle farer som kan oppstå. Produktet



og tilleggsutstyret kan utgjøre en fare hvis det betjenes av ukvalifisert personale eller ikke brukes på tiltenkt måte.

- Den medfølgende bruksanvisningen er i tråd med det aktuelle tekniske nivået på trykktidspunktet. Du finner alltid den mest oppdaterte versjonen på nettet på Hiltis produktside. Følg lenken eller QR-koden i denne bruksanvisningen, merket med symbolet .
- Pass på at bruksanvisningen følger med produktet når det overlates til andre personer.

## 1.2 Symbolforklaring

### 1.2.1 Farehenvisninger

Farehenvisninger advarer mot farer under håndtering av produktet. Følgende signalord brukes:

#### **FARE**

##### **FARE !**

- ▶ For en umiddelbart truende fare som kan føre til alvorlige personskader eller død.

#### **ADVARSEL**

##### **ADVARSEL !**

- ▶ Varsler en mulig fare som kan føre til alvorlige personskader eller død.

#### **FORSIKTIG**

##### **FORSIKTIG !**

- ▶ Varsler om en mulig farlig situasjon som kan føre til personskade eller materiell skade.

### 1.2.2 Symboler i bruksanvisningen

Følgende symboler benyttes i denne bruksanvisningen:

	Følg bruksanvisningen
	Bruksanvisninger og andre nyttige opplysninger
	Håndtering av resirkulerbare materialer
	Ikke kast elektriske apparater eller batterier i husholdningsavfallet
	<b>Hilti</b> li-Ion-batteri
	<b>Hilti</b> Lader

### 1.2.3 Symboler i illustrasjoner

Følgende symboler brukes i illustrasjonene:

	Disse tallene viser til illustrasjonen i begynnelsen av denne bruksanvisningen.
	Nummereringen angir rekkefølgen for arbeidstrinnene på bildet og kan avvike fra arbeidstrinnene i teksten.
	Posisjonsnumrene brukes i illustrasjonen <b>Oversikt</b> og henviser til numrene på teksten i avsnittet <b>Produktoversikt</b> .
	Dette symbolet betyr at håndtering av produktet krever stor grad av oppmerksomhet.

## 1.3 Produktavhengige symboler

### 1.3.1 Symboler på produktet

Følgende symboler kan brukes på produktet:

RPM	Slag tall per minutt
-----	----------------------



$n_0$	Tomgangsslag tall
	Likestrøm
	Produktet støtter NFC-teknologi som er kompatibel med iOS- og Android-plattformer.
Li-Ion	Li-ion-batteri
	Bruk aldri batteriet som slagverktøy.
	Ikke mist ned batteriet. Ikke bruk et batteri som har vært utsatt for støt eller er skadet på annen måte.

## 2 Sikkerhet

### 2.1 Generelle sikkerhetsregler for elektroverktøy

**⚠ ADVARSEL** Les alle sikkerhetsanvisninger, instruksjoner, illustrasjoner og tekniske data som elektroverktøyet er utstyrt med. Manglende overholdelse av anvisningene nedenfor kan medføre elektrisk støt, brann og/eller alvorlige personskader.

**Overhold alle sikkerhetsanvisninger og instruksjoner i hele bruksperioden.**

Begrepet "elektroverktøy" som er brukt i sikkerhetsanvisningene, viser til nettdrevne elektroverktøy (med nettkabel) eller til batteridrevne elektroverktøy (uten nettkabel).

#### Sikkerhet på arbeidsplassen

- ▶ **Hold arbeidsområdet rent og godt opplyst.** Rotete eller dårlig belyste arbeidsområder kan føre til ulykker.
- ▶ **Bruk ikke elektroverktøyet i eksplosjonsfarlige omgivelser hvor det befinner seg brennbare flytende stoffer, gasser eller støv.** Elektroverktøy lager gnister som kan antenne støv eller damp.
- ▶ **Hold barn og andre personer på sikker avstand mens elektroverktøyet brukes.** Hvis du blir forstyrret under arbeidet, kan du miste kontrollen over verktøyet.

#### Elektrisk sikkerhet

- ▶ **Elektroverktøyet støpsel må passe i stikkontakten. Støpselet må ikke forandres på noen som helst måte. Bruk ikke adapterkontakt på jordete elektroverktøy.** Uendrede støpsler og egnede stikkontakter minsker risikoen for elektrisk støt.
- ▶ **Unngå kroppskontakt med jordete overflater som rør, radiatorer, komfyrer eller kjøleskap.** Risikoen for elektriske støt er høyere når kroppen er jordet.
- ▶ **Hold elektroverktøyet unna regn og fuktighet.** Risikoen for elektrisk støt øker ved inntrenging av vann i et elektroverktøy.
- ▶ **Bruk ikke ledningen til å bære elektroverktøyet, henge det opp eller til å dra støpselet ut av stikkontakten. Hold ledningen unna varme, olje, skarpe kanter og deler som beveger seg.** Skadde eller sammenviklede ledninger øker risikoen for elektriske støt.
- ▶ **Bruk kun skjoteledninger som også er godkjent for utendørs bruk når du arbeider med et elektroverktøy utendørs.** Bruk av skjoteledning som er egnet til utendørs bruk, minsker risikoen for elektrisk støt.
- ▶ **Må elektroverktøyet brukes i fuktige omgivelser, er det nødvendig å bruke en jordfeilbryter.** Bruk av en jordfeilbryter reduserer risikoen for elektrisk støt.

#### Personssikkerhet

- ▶ **Vær oppmerksom, pass på hva du gjør, og gå fornuftig fram under arbeidet med et elektroverktøy. Ikke bruk elektroverktøy når du er trøtt eller påvirket narkotika, alkohol eller medikamenter.** Et øyeblikks uoppmerksomhet ved bruk av elektroverktøyet kan være nok til å forårsake alvorlige personskader.
- ▶ **Bruk alltid personlig verneutstyr og vernebriller.** Bruk av personlig verneutstyr som støvmaske, sklisikre vernesko, hjelm eller hørselsvern – avhengig av type og bruk av elektroverktøyet – reduserer risikoen for skader.
- ▶ **Unngå utilsiktet start. Forsikre deg om at elektroverktøyet er slått av før du setter i stikkontakten eller batteriet og før du løfter eller flytter elektroverktøyet.** Hvis du holder fingeren på bryteren når du bærer elektroverktøyet, eller kobler elektroverktøyet til strøm i innkoblet tilstand, kan dette føre til uhell.



- ▶ **Fjern justeringsverktøy og skrunøkkel før du slår på elektroverktøyet.** Et verktøy eller en nøkkel som befinner seg i en roterende maskindel, kan føre til skader.
- ▶ **Unngå uhensiktsmessige arbeidsposisjoner. Sørg for å stå stødig og i balanse.** Dermed kan du kontrollere elektroverktøyet bedre i uventede situasjoner.
- ▶ **Bruk egnede klær. Ikke bruk vide klær eller smykker. Hold hår, tøy og hansker unna deler som beveger seg.** Løstsittende tøy, smykker eller langt hår kan komme inn i deler som beveger seg.
- ▶ **Hvis det er montert støvavsugs- og oppsamlingsinnretninger, må det kontrolleres at disse er koblet til og blir brukt på riktig måte.** Bruk av støvavsug kan redusere faremomentene i forbindelse med støv.
- ▶ **Ikke føl deg for trygg og ikke bryt sikkerhetsreglene for elektroverktøy, heller ikke når du etter lang tids bruk er blitt fortrolig med elektroverktøyet.** Et øyeblikks uaktsomhet kan føre til alvorlige personskader.

#### **Bruk og behandling av elektroverktøyet**

- ▶ **Ikke overbelast verktøyet. Bruk et elektroverktøy som er beregnet til den type arbeid du vil utføre.** Med et passende elektroverktøy arbeider du bedre og sikrer i det angitte effektområdet.
- ▶ **Ikke bruk elektroverktøy med defekt bryter.** Et elektroverktøy som ikke lenger kan slås av eller på, er farlig og må repareres.
- ▶ **Dra ut støpselet fra stikkkontakten og/eller ta ut et uttakbart batteri før du foretar maskinnstillinger, bytter tilleggsutstyr eller legger bort verktøyet.** Disse tiltakene forhindrer utilsiktet start av elektroverktøyet.
- ▶ **Oppbevar elektroverktøy som ikke brukes, utenfor barns rekkevidde. La ikke personer som ikke er fortrolige med verktøyet eller ikke har lest disse instruksjonene, bruke verktøyet.** Elektroverktøy er farlige når de brukes av uerfarne personer.
- ▶ **Sørg for grundig stell og vedlikehold av elektroverktøyet med tilbehør. Kontroller at bevegelige deler på elektroverktøyet fungerer feilfritt og ikke klemmes fast, og at ingen deler er brukket eller skadet, slik at dette innvirker på elektroverktøyet funksjon. La skadde deler repareres før elektroverktøyet brukes.** Mange ulykker er et resultat av dårlig vedlikeholdte elektroverktøy.
- ▶ **Hold skjæreverktøy skarpe og rene.** Godt vedlikeholdte skjæreverktøy med skarpe skjærekanten blir sjeldnere fastklemt og er lettere å styre.
- ▶ **Bruk elektroverktøy, tilbehør, arbeidsverktøy osv. i overensstemmelse med denne anvisningen. Ta hensyn til arbeidsforholdene og arbeidet som skal utføres.** Bruk av elektroverktøy til andre formål enn det som er angitt, kan føre til farlige situasjoner.
- ▶ **Hold håndtak og gripeflater tørre, rene og frie for olje og fett.** Glatte håndtak og gripeflater gir ikke sikker betjening og kontroll av elektroverktøyet i uforutsette situasjoner.

#### **Bruk og behandling av det batteridrevne elektroverktøyet**

- ▶ **Bruk kun ladere som er anbefalt av produsenten når du skal lade batteriene.** Det oppstår brannfare når det brukes andre batterier i en lader enn den laderen er egnet for.
- ▶ **Bruk bare batterier som er beregnet for de forskjellige elektroverktøyene.** Bruk av andre batterier kan medføre skader og brannfare.
- ▶ **Unngå å oppbevare ubrukte batterier i nærheten av binders, mynter, nøkler, nagler, skruer eller andre små metallgjenstander som kan forårsake kortslutning av kontakten.** En kortslutning mellom batterikontaktene kan føre til forbrenninger eller brann.
- ▶ **Ved feil bruk kan væske lekke fra batteriet. Unngå kontakt med denne væsken. Ved tilfeldig kontakt må det skylles med vann. Hvis det kommer væske i øynene, må du i tillegg oppsøke lege.** Batterivæske som renner ut, kan føre til irritasjoner på huden eller forbrenninger.
- ▶ **Ikke bruk batterier som er skadde eller modifiserte.** Skadde eller modifiserte batterier kan oppføre seg uforutsigbart og forårsake brann, eksplosjon eller personskade.
- ▶ **Ikke utsett batteriet for åpen ild eller høye temperaturer.** Ild eller temperaturer over 130 °C (265 °F) kan forårsake eksplosjon.
- ▶ **Følg alle anvisningene for lading, og lad aldri batteriet eller det batteridrevne verktøyet utenfor temperaturområdet som er angitt i bruksanvisningen.** Feil lading eller lading utenfor det tillatte temperaturområdet kan ødelegge batteriet og øke brannfaren.

#### **Service**

- ▶ **Elektroverktøyet må kun repareres av kvalifisert fagpersonale og kun med originale reservedeler.** Slik opprettholdes maskinens sikkerhet.
- ▶ **Vedlikehold ikke skadde batterier.** Alt vedlikehold på batterier skal utføres av produsenten eller et godkjent serviceverksted.



## 2.2 Sikkerhetsanvisninger for saging med sagblad med frem- og tilbakebevegelse

- ▶ **Hold elektroverktøyet i de isolerte håndtakene når du utfører arbeid der verktøyet kan komme i kontakt med elektriske ledninger.** Kontakt med en spenningsførende ledning kan også sette maskinens metalldele under spenning og føre til elektrisk støt.
- ▶ **Bruk skrutvinge eller annet egnet hjelpemiddel til å feste og sikre verktøyet på et stabilt underlag.** Når du holder arbeidsområdet fast bare med hendene eller mot kroppen, er det ustabil, og dette kan føre til tap av kontrollen.

## 2.3 Ekstra sikkerhetsanvisninger

- ▶ Bruk produktet og tilbehøret bare i teknisk feilfri stand.
- ▶ Ikke foreta manipulering eller endring av produktet eller tilbehør.
- ▶ Støv som oppstår ved sliping, smerpling, kapping og boring kan inneholde farlige kjemikalier. Noen eksempler er: bly eller blybasert maling; tegl, betong og andre murverksprodukter, naturstein og andre silikatholdige produkter; bestemt tresorter, slik som eik, bøk og kjemisk behandlet trevirke; asbest eller asbestholdige materialer. Kartlegg hvor eksponert brukeren og personer i nærheten er ved hjelp av fareklassen til materialene som det arbeides med. Treff nødvendige tiltak for å holde eksponeringen på et trygt nivå, f.eks. ved å bruke et støvoppsamlingsystem eller egnet åndedrettsvern. Til de generelle tiltakene for å redusere eksponeringen hører:
  - ▶ arbeid i et godt ventilert område,
  - ▶ unngå langvarig kontakt med støv,
  - ▶ led bort støv fra ansikt og kropp,
  - ▶ bruk verneutstyr og vask eksponerte områder med vann og såpe.
- ▶ - Fare for personskade på grunn av verktøy og/eller tilbehør som faller ned. Kontroller før arbeidet starter at det monterte tilbehøret er sikkert festet.
- ▶ Hold alltid ventilasjonsåpningene rene. Fare for forbrenning hvis ventilasjonsåpningene er blokkert!
- ▶ Ta hyppige pauser og gjør øvelser for å øke blodgjennomstrømmingen i fingrene. Ved langvarig arbeid kan kraftige vibrasjoner føre til forstyrrelser i blodkar eller nervesystemet i fingre, hender eller håndledd.
- ▶ Ikke fest noen beltekrok til dette produktet.
- ▶ Ikke se rett inn i belysningen (LED) på produktet, og ikke lys inn i ansiktet til andre personer. Du kan bli blendet.
- ▶ Brukeren og personer som befinner seg i nærheten, må bruke vernebriller, vernehjelm, hørselsvern, vernehansker og en lett støvmaske når produktet er i drift.
- ▶ Splintret materiale kan skade kroppen og øynene. Bruk alltid personlig verneutstyr, vernebriller og vernehansker.
- ▶ Bruk vernehansker ved skifte av verktøy. Berøring av innsatsverktøyet kan føre til kuttskader og forbrenninger.
- ▶ Hold hendene unna sagområdet og sagbladet. Hold produktet, når det er nødvendig som støtte, med den andre hånden på motorhuset. Hvis du holder sagen med begge hender, kan ikke hendene bli skadd av sagingen.
- ▶ Vent til produktet har stanset helt før du legger det fra deg.
- ▶ Bruk aldri sløve eller skadde sagblad. Dette fører til økt friksjon og kan forårsake forkiling eller rekyll av sagbladet.
- ▶ Sikre arbeidsstykket med et stabilt feste. Hold aldri arbeidsstykket du sager fast med hånden eller bena.
- ▶ Ikke slå på produktet før det er i arbeidsposisjon.
- ▶ Før alltid produktet bort fra kroppen når du arbeider.
- ▶ Hold ikke under arbeidsstykket.
- ▶ Arbeid med moderat presstrykk og egnet skjærehastighet, især ved store rørdiametre. Da unngår du overoppheting av produktet.
- ▶ Bruk et passende langt sagblad. Sagbladet må stikke ut av arbeidsstykket under hele slaget.
- ▶ Ikke sag i ukjent underlag, og hold saglinjen fri for hindringer oppe og nede.
  - ▶ Hvis sagbladet rammer en fast gjenstand, kan produktet bli utsatt for rekyll.
- ▶ Sørg for at armene i en stilling der du kan fange opp rekyllkraften.
- ▶ Produktet må presses mot arbeidsstykket med presskoen. Dette sikrer optimalt og sikkert arbeid.
- ▶ Hold deg alltid på siden av sagbladet, og plasser aldri sagbladet på linje med kroppen. Ved rekyll kan sagen slenges bakover!
- ▶ Hvis sagbladet forkiler seg eller du avbryter arbeidet, må du slå av slagen og holde sagen i ro i arbeidsstykket til sagbladet har stanset helt. Prøv aldri å fjerne sagen fra arbeidsstykket eller trekke den bakover så lenge sagbladet er i bevegelse, ellers er det fare for rekyll.



- ▶ Når du skal starte en sag som sitter fast i arbeidsstykket, sentrerer du sagbladet i spalten og kontrollerer at sagtennene ikke har haket seg fast i arbeidsstykket.
- ▶ Vær ekstra forsiktig ved saging i eksisterende vegger eller i andre usynlige områder. Sagbladet som stikkes inn, kan blokkeres av skjulte objekter under saging, noe som kan forårsake rekyll.
- ▶ Aktiver transportsikringen ved lagring og transport av produktet.
- ▶ Følg produsentens anvisninger om håndtering og oppbevaring av sagblad.
- ▶ Ved gjennombruddsarbeider må området på den andre siden sikres.
- ▶ Kontroller før arbeidet påbegynnes at det ikke finnes skjulte strømledninger, gass- eller vannrør i arbeidsområdet. Utvendige metalleder på produktet kan forårsake elektrisk støt eller en eksplosjon dersom du skader en strømledning, et gass- eller vannrør.
- ▶ Hold produktet høyere enn røret ved kapping av rør.
  - ▶ Produktet er ikke beskyttet mot inntrengning av fuktighet. Væske som strømmer ut, kan forårsake kortslutning i produktet.
- ▶ Hvis du skal kappe rør, må du kontrollere at det ikke finnes væske i rørene. Tøm i så fall ut væsken.

## 2.4 Aktsom håndtering og bruk av batterier

- ▶ **Ta hensyn til følgende sikkerhetsanvisninger for sikker håndtering og bruk av li-ion-batterier.** Manglende overholdelse kan føre til hudirritasjoner, alvorlige korrosive skader, kjemiske forbrenninger, brann og/eller eksplosjoner.
- ▶ Bruk kun batterier i teknisk feilfri stand.
- ▶ Behandle batterier med omhu for å unngå skader og forhindre at svært helseskadelige væsker lekker ut!
- ▶ Batterier må under ingen omstendigheter modifiseres eller manipuleres!
- ▶ Batteriene må ikke tas fra hverandre, klemmes, varmes opp over 80 °C (176 °F) eller brennes.
- ▶ Ikke bruk eller lad opp batterier som har vært utsatt for et støt eller er skadd på annen måte. Kontroller batteriene regelmessig for å se etter tegn på skader.
- ▶ Bruk aldri resirkulerte eller reparerte batterier.
- ▶ Ikke bruk batteriet eller et batteridrevet elektroverktøy som slagverktøy.
- ▶ Utsett aldri batterier for direkte sollys, høy temperatur, gnistdannelse eller åpen flamme. Dette kan føre til eksplosjoner.
- ▶ Ikke berør batteripolene med fingrene, verktøy, smykker eller andre elektrisk ledende gjenstander. Dette kan skade batteriet samt forårsake materielle skader og personskader.
- ▶ Hold batteriene unna regn, fuktighet og væsker. Hvis fuktighet trenger inn, kan dette føre til kortslutning, elektrisk støt, forbrenninger, brann og eksplosjoner.
- ▶ Bruk kun ladere og elektroverktøy som er beregnet på denne batteritypen. Følg i den forbindelse opplysningene i de tilhørende bruksanvisningene.
- ▶ Ikke bruk eller oppbevar batteriet i eksplosjonsfarlige omgivelser.
- ▶ Hvis batteriet er for varmt til at du kan ta på det, kan det være defekt. Plasser batteriet på et synlig, ikke brennbart sted med tilstrekkelig avstand til brennbare materialer. La batteriet kjølnes. Hvis batteriet fremdeles er for varmt til at du kan ta på det etter en time, er det defekt. Kontakt **Hilti** service eller les dokumentet "Informasjon om sikkerhet og bruk av **Hilti** li-ion-batterier".



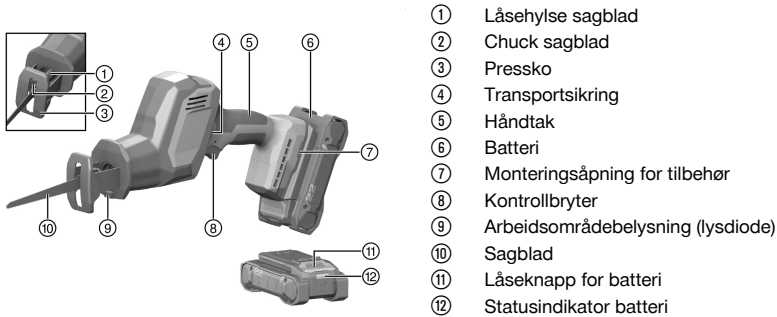
Ta hensyn til spesielle retningslinjer som gjelder for transport, lagring og bruk av litium-ion-batterier. Les informasjonen om sikkerhet og bruk av **Hilti** li-ion-batterier, som du finner ved å skanne QR-koden bakerst i denne bruksanvisningen.





## 3 Beskrivelse

### 3.1 Produktoversikt



- ① Låsehylse sagblad
- ② Chuck sagblad
- ③ Pressko
- ④ Transportsikring
- ⑤ Håndtak
- ⑥ Batteri
- ⑦ Monteringsåpning for tilbehør
- ⑧ Kontrollbryter
- ⑨ Arbeidsområdebelysning (lysdiode)
- ⑩ Sagblad
- ⑪ Låseknapp for batteri
- ⑫ Statusindikator batteri

### 3.2 Forskriftsmessig bruk

Det beskrevne produktet er en batteridrevet bajonettsag. Den er beregnet til kapping av tre, trelignende og metalliske materialer, tegl og plast.

Produktet er beregnet for bruk med en hånd.

- Til dette produktet må det bare benyttes **Hilti** Nuron Li-Ion-batterier i serien B 22. For optimal ytelse anbefaler **Hilti** å bruke batteriene som er angitt i tabellen på slutten av denne bruksanvisningen til produktet.
- Til disse batteriene må det bare brukes **Hilti**-ladere i seriene som er står oppført i tabellen bakerst i denne bruksanvisningen.

### 3.3 Mulig feilbruk

- ▶ Ikke sag i betong, lettbetong, naturstein eller fliser.
- ▶ Ikke bruk produktet til kapping av rør og slanger som kan inneholde væske.
- ▶ Ikke sag i ukjent underlag.

### 3.4 Dette følger med

bajonettsag, bruksanvisning.

I tillegg finner du tillatte systemprodukter til produktet hos nærmeste **Hilti Store** eller under: [www.hilti.group](http://www.hilti.group)

### 3.5 Indikatorer for li-ion-batteriet

**Hilti** Nuron Li-ion-batterier kan indikere ladetilstand, feilmeldinger og batteriets tilstand.

#### 3.5.1 Indikatorer for ladetilstand og feilmeldinger

#### ADVARSEL

**Fare for personskader på grunn av batteri som faller ned!**

- ▶ Når du har satt i batteriet og trykt på låseknappen, må du kontrollere at batteriet igjen klikker på plass i produktet som brukes.

For å få frem en av følgende indikatorer trykker du kort på batteriets utløserknapp.

Ladetilstanden samt eventuelle feil indikeres også hele tiden så lenge det tilkoblede produktet er slått på.

Tilstand	Betydning
Fire (4) lysdioder (LED) lyser konstant grønt	Ladetilstand: 100 % til 71 %
Tre (3) lysdioder (LED) lyser konstant grønt	Ladetilstand: 70 % til 51 %
To (2) lysdioder (LED) lyser konstant grønt	Ladetilstand: 50 % til 26 %
Én (1) lysdiode (LED) lyser konstant grønt	Ladetilstand: 25 % til 10 %
Én (1) lysdiode (LED) blinker langsomt grønt	Ladetilstand: < 10 %



Tilstand	Betydning
Én (1) lysdiode (LED) blinker raskt grønt	Li-ion-batteriet er helt utladet. Lad batteriet. Hvis lysdioden fortsatt blinker raskt etter at batteriet er ladet, kontakter du <b>Hilti</b> service.
Én (1) lysdiode (LED) blinker raskt gult	Li-ion-batteriet eller det tilkoblede produktet er overbelastet, for varmt eller for kaldt eller det foreligger en annen feil. Bring produktet og batteriet til anbefalt arbeids-temperatur, og ikke overbelast produktet når du bruker det. Hvis meldingen vedvarer, kontakter du <b>Hilti</b> service.
Én (1) lysdiode (LED) lyser gult	Li-ion-batteriet og det tilkoblede produktet er ikke kompatible. Kontakt <b>Hilti</b> service.
Én (1) lysdiode (LED) blinker raskt rødt	Li-ion-batteriet er sperret og kan ikke brukes lenger. Kontakt <b>Hilti</b> service.

### 3.5.2 Indikering av batteriets tilstand

For å sjekke tilstanden til batteriet holder du utløserknappen inne i over tre sekunder. Systemet registrerer ikke mulige funksjonsfeil på batteriet som følge av skjodesløs bruk, som f.eks. at det er mistet ned, er påført hull eller skader forårsaket av eksterne varmekilder osv.

Tilstand	Betydning
Alle LED-ene lyser som løpelys og deretter lyser én (1) LED konstant grønt.	Batteriet kan brukes videre.
Alle LED-ene lyser som løpelys og deretter blinker én (1) LED raskt gult.	Kartlegging av batteriets tilstand kunne ikke fullføres. Gjenta prosedyren eller kontakt <b>Hilti</b> service.
Alle LED-ene lyser som løpelys og deretter lyser én (1) LED konstant rødt.	Hvis et tilkoblet produkt fortsatt kan brukes, er den gjenværende batterikapasiteten under 50 %. Hvis et tilkoblet produkt ikke lenger kan brukes, er batteriets levetid over og batteriet må skiftes ut. Kontakt <b>Hilti</b> service.

## 4 Tekniske data

### 4.1 Bajonettsag

	SR 4-22
Produktgenerasjon	02
Merkespennning	21,6 V
Vekt i henhold til EPTA Procedure 01 uten batteri	2 kg
Slagttall	0 o/min ... 3 000 o/min
Slaglengde	23,2 mm
Nøkkelfri chuck for standardverktøy	1/2 in
Lagringstemperatur	-20 °C ... 70 °C
Omgivelsestemperatur under drift	-17 °C ... 60 °C

### 4.2 Batteri

Batteriets driftsspennning	21,6 V
Vekt batteri	Se bakerst i bruksanvisningen
Omgivelsestemperatur under drift	-17 °C ... 60 °C
Lagringstemperatur	-20 °C ... 40 °C
Batteritemperatur ved ladestart	-10 °C ... 45 °C



### 4.3 Støyinformasjon og vibrasjonsverdier

Lydtrykk- og vibrasjonsverdiene som er angitt i denne bruksanvisningen, er målt i samsvar med en normert målemetode og kan brukes til sammenligning av elektroverktøy. De egner seg også til en foreløpig vurdering av eksponeringene.

De angitte dataene representerer de viktigste bruksområdene for elektroverktøyet. Men hvis elektroverktøyet brukes til andre formål, med avvikende innsatsverktøy eller med utilstrekkelig vedlikehold, kan dataene avvike. Dette kan øke eksponeringene betraktelig gjennom hele arbeidsperioden.

For å få en nøyaktig vurdering av eksponeringene må man også ta hensyn til tidsrommene da elektroverktøyet er slått av eller er i gang, men ikke i bruk. Dette kan redusere eksponeringene betraktelig gjennom hele arbeidsperioden.

Fastsett ekstra sikkerhetstiltak for å beskytte operatøren mot effekten av støy og/eller vibrasjoner, for eksempel: Vedlikehold av elektroverktøy og innsatsverktøy, holde hendene varme, organisering av arbeidsprosesser.



Du finner nærmere informasjon om hvilke versjoner av **EN 62841**-standardene som er benyttet på bildet av samsvarserklæringen 218.

#### Støyinformasjon

	SR 4-22
Lydeffektnivå ( $L_{WA}$ )	95 dB(A)
Usikkerhet lydeffektnivå ( $K_{WA}$ )	5 dB(A)
Lydtrykknivå ( $L_{pA}$ )	87 dB(A)
Usikkerhet lydtrykknivå ( $K_{pA}$ )	5 dB(A)

#### Vibrasjonsinformasjon

Vibrasjonsutslippsverdi ved saging av sponplater ( $a_{h, B}$ )	B 22-55	12,8 m/s <sup>2</sup>
	B 22-85	11,1 m/s <sup>2</sup>
Vibrasjonsutslippsverdi ved saging av trebjelker ( $a_{h, WB}$ )	B 22-55	11,5 m/s <sup>2</sup>
	B 22-85	12,2 m/s <sup>2</sup>
Usikkerhet (K)		1,5 m/s <sup>2</sup>

## 5 Betjening

### 5.1 Lade batteriet

1. Les bruksanvisningen for laderen før lading.
2. Kontaktene på batteriet og laderen må være rene og tørre.
3. Lad opp batteriet i en godkjent lader. 53

### 5.2 Sette i batteri

#### ADVARSEL

**Fare for personskader på grunn av kortslutning eller ved at batteriet faller ned!**

- ▶ Forsikre deg om at det ikke er fremmedlegemer ved kontaktene på batteriet og kontaktene på produktet før du setter batteriet inn i maskinen.
- ▶ Kontroller at batteriet alltid går riktig i inngrep.

1. Lad batteriet helt opp før første gangs bruk.
2. Skyv batteriet inn i produktet til det klikker hørbart på plass.
3. Kontroller at batteriet sitter godt fast.

### 5.3 Ta ut batteri

1. Trykk på batteriets opplåsningsknapp.
2. Trekk batteriet ut av produktet.



## 5.4 Fallsikring

### **ADVARSEL**

**Fare for personskader** som følge av at verktøy og/eller tilbehør faller ned!

- ▶ Bruk bare verktøysnoren som er anbefalt av **Hilti** til produktet.
- ▶ Kontroller festepunktet for verktøysnoren for mulige skader før hver bruk.



Følg nasjonale retningslinjer for arbeid i høyden.

Bruk som fallsikring til dette produktet kun en kombinasjon av **Hilti** fallsikringen #2293133 med **Hilti** verktøysnor #2261970.

- ▶ Fest fallsikringen i monteringsåpningene for tilbehør. Kontroller at den sitter forsvarlig fast.
- ▶ Fest den ene karabinkroken på verktøysnoren til fallsikringen og den andre karabinkroken til en bærende konstruksjon. Kontroller at begge karabinkrokene sitter forsvarlig fast.



Følg bruksanvisningene for **Hilti** fallsikring samt **Hilti** verktøysnor.

## 5.5 Isetting av sagblad 2



Bruk bare sagblad med 1/2"-innstikkender.

1. Sørg for at innstikkenden på verktøyet er ren og satt inn med litt fett. Gjør den ren og ta på litt fett hvis nødvendig.
2. Vri låsehylsen på chucken mot urviseren og hold den inne.
3. Trykk sagbladet forfra inn i chucken.
4. La låsehylsen gli tilbake til den smekker hørbart på plass.
5. Trekk i sagbladet for å kontrollere om det er smekket på plass.

## 5.6 Ta av sagbladet 3

### **FORSIKTIG**

**Fare for personskader!** Innsatsverktøyet kan være varmt og/eller ha skarpe kanter.

- ▶ Bruk vernehansker når du skifter innsatsverktøy.
- ▶ Ikke legg et varmt innsatsverktøy på brennbare underlag.

1. Vri låsehylsen på chucken mot urviseren og hold den inne.
2. Trekk sagbladet fremover og ut av chucken.
3. La låsehylsen gli tilbake.

## 6 Betjening

Følg sikkerhetsanvisningene og advarslene i denne dokumentasjonen og på produktet.

### 6.1 Sage

#### **ADVARSEL**

**Fare for personskade på grunn av sagens etterløp !**

- ▶ Ikke løft produktet opp fra emnet før det har stanset helt.
- ▶ Vent til produktet har stanset helt før du legger det fra deg.

1. Deaktiver transportsikringen og trykk på kontrollbryteren.
2. Når du har avsluttet sagingen, slipper du kontrollbryteren.
3. Aktiver transportsikringen.



## 7 Service og vedlikehold

### ADVARSEL

**Fare for personskader på grunn av isatt batteri !**

- ▶ Ta alltid ut batteriet før stell og vedlikeholdsarbeid!

#### Pleie av produktet

- Fjern forsiktig gjenstridig smuss.
- Rengjør ventilasjonsåpningene, der slike finnes, forsiktig med en tørr og myk børste.
- Rengjør huset bare med en lett fuktet klut. Ikke bruk silikonholdige pleiemidler, ettersom dette kan angripe plastdelene.
- Rengjør og smør chuciken regelmessig fra utsiden. Bruk **Hilti** spray 314648 til dette arbeidet.
- Bruk en ren og tørr klut for å rengjøre kontaktene på produktet.

#### Vedlikehold av li-ion-batterier

- Bruk aldri et batteri med blokkerte ventilasjonsåpninger. Rengjør ventilasjonsåpningene forsiktig med en tørr og myk børste.
- Unngå at batteriet unødig utsettes for støv eller smuss. Utsett aldri batteriet for høy fuktighet (f.eks. ved å senke det ned i vann eller la det stå i regn). Hvis et batteri blir gjennomvått, skal du behandle det som et skadd batteri. Isoler det i en ikke-brennbar beholder og kontakt **Hilti** service.
- Hold batteriet fritt for uønsket olje og fett. Ikke la unødige støv eller smuss samle seg på batteriet. Rengjør batteriet med en tørr og myk børste eller en ren og tørr klut. Ikke bruk silikonholdige pleiemidler, ettersom dette kan angripe plastdelene. Ikke berør kontaktene på batteriet og ikke fjern det fabrikkpåførte fett fra kontaktene.
- Rengjør huset bare med en lett fuktet klut. Ikke bruk silikonholdige pleiemidler, ettersom dette kan angripe plastdelene.

#### Vedlikehold

- Kontroller alle synlige deler regelmessig mht. skade og alle betjeningselementer mht. feilfri funksjon.
- Ved skader og/eller funksjonsfeil må produktet ikke brukes. Få produktet omgående reparert av **Hilti** service.
- Monter alle beskyttelsesinnretninger etter pleie- og vedlikeholdsarbeid, og kontroller at de fungerer feilfritt.



Av hensyn til sikkerheten må du bare bruke originale reservedeler og forbruksmateriell. Reservedeler, forbruksmaterialer og tilbehør som er godkjent av **Hilti**, finner du hos **Hilti Store** eller på: [www.hilti.group](http://www.hilti.group)

## 8 Transport og lagring

### Transport av batteridrevne verktøy og batterier

#### FORSIKTIG

**Utsiaktet start under transport !**

- ▶ Transporter alltid produktene dine uten batterier!
- ▶ Ta ut batteri(er).
- ▶ Batterier må aldri transporteres løst. Under transport må batteriene beskyttes mot kraftige støt og vibrasjoner og isoleres fra ledende materialer og andre batterier, slik at de ikke kan komme i berøring med andre batteripoler og dermed forårsake kortslutning. **Følg lokale transportforskrifter for batterier.**
- ▶ Batterier må ikke sendes i posten. Kontakt et transportfirma hvis du vil sende uskadde batterier.
- ▶ Kontroller produkt og batterier med henblikk på skader før hver bruk samt før og etter lengre transport.

#### Lagring av batteridrevne verktøy og batterier

#### ADVARSEL

**Utsiaktet skade på grunn av defekte batterier eller lekkasje fra batterier !**

- ▶ Oppbevar alltid produktene dine uten batterier!
- ▶ Oppbevar produktet og batterier kjølig og tørt. Ta hensyn til temperaturrensene som er angitt under tekniske data 54.
- ▶ Ikke oppbevar batterier på laderen. Ta alltid batteriet ut av laderen etter lading.



- ▶ Batterier må aldri oppbevares i solen, på varmekilder eller bak glass.
- ▶ Oppbevar produktet og batterier utenfor barns og uvedkommendes rekkevidde.
- ▶ Kontroller produkt og batterier med henblikk på skader før hver bruk samt før og etter lengre tids lagring.

## 9 Feilsøking

Ved alle feil må du sjekke batteriets indikator for ladetilstand og feil. Se kapittelet **Indikatorer for li-ion-batteriet**.

Ved feil som ikke står i denne tabellen eller som du selv ikke kan utbedre, må du kontakte **Hilti service**.

Feil	Mulig årsak	Løsning
Batteriet blir tomt raskere enn vanlig.	Batteriets tilstand er ikke optimal.	▶ Sjekk batteriets tilstand.  53
Batteriet klikker ikke på plass.	Festetappen på batteriet er skitten.	▶ Rengjør festetappen og sett batteriet inn igjen.
LED-ene vises ikke.	Batteriet er ikke satt helt inn.	▶ Sett batteriet på plass med et hørbart klikk.
	Batteriet er defekt.	▶ Kontakt <b>Hilti service</b> .
Sagbladet lar seg ikke fjerne fra chucken.	Låsespaken er ikke trykt til endestopp.	▶ Drei låsespaken til endestopp, og ta ut sagbladet.
	Chuck tilstoppet av sagerester.	▶ Fjern sagerestene og rengjør chucken regelmessig fra utsiden. Stell av produktet.  57
Produktet yter ikke maksimalt.	Kontrollbryteren er ikke trykket helt inn.	▶ Trykk kontrollbryteren inn så langt det går.
	Utladet batteri.	▶ Skift batteri og lad tomt batteri.
Sagbladet lar seg ikke fjerne fra chucken.	Låsehylsen er ikke dreid til anslag.	▶ Drei låsehylsen til anslag og ta ut sagbladet.

## 10 Kassering

### ADVARSEL

**Fare for personskade ved ikke-forskriftsmessig kassering!** Gasser eller væsker som lekker ut, utgjør en helsefare.

- ▶ Ikke send skadde batterier i posten eller på annen måte!
- ▶ Dekk til kontaktene med et ikke-ledende materiale for å unngå kortslutning.
- ▶ Kasser batterier slik at de er utilgjengelige for barn.
- ▶ Lever inn batteriet i nærmeste **Hilti Store**, eller kontakt et lokalt renovasjonsfirma.

**Hilti** produkter er i stor grad laget av gjenvinnbare materialer. Riktig materialsortering er en forutsetning for gjenvinning. I mange land tar **Hilti** imot ditt gamle apparat for gjenvinning. Spør **Hilti** kundeservice eller forhandleren.



- ▶ Kast aldri elektroverktøy, elektronisk utstyr eller batterier i husholdningsavfallet!

## 11 Produsentgaranti

- ▶ Når det gjelder spørsmål om garantibetingelser, ber vi deg kontakte din lokale **Hilti**-partner.






Du finner mer informasjon om betjening, teknologi, miljø og resirkulering under følgende lenke: [qr.hilti.com/manual/?id=2243480&id=2243482](http://qr.hilti.com/manual/?id=2243480&id=2243482)

Denne lenken finner du også som QR-kode bakerst i dokumentasjonen.

## Alkuperäiset ohjeet

### 1 Tämän käyttöohjeen tiedot

#### 1.1 Tästä käyttöohjeesta

- **Varoitus!** Ennen tuotteen käyttämistä varmista, että olet lukenut ja ymmärtänyt tuotteen mukana toimitetun käyttöohjeen ja sen sisältämät ohjeet, neuvot sekä turvallisuus- ja varoitushuomautukset, kuvat ja tekniset erittelyt. Perehdy etenkin kaikkiin ohjeisiin, turvallisuus- ja varoitushuomautuksiin, kuviin, teknisiin erittelyihin sekä tuotteen osiin ja toimintoihin. Ellei määräyksiä, ohjeita ja neuvoja noudateta, aiheutuu sähköiskun, tulipalon ja/tai vakavien vammojen vaara. Säilytä käyttöohje ja kaikki ohjeet sekä turvallisuus- ja varoitushuomautukset myöhempää käyttötarvetta varten.
- **HILTI** -tuotteet on tarkoitettu ammattikäyttöön, ja niitä saa käyttää, huoltaa tai korjata vain valtuutettu, koulutettu henkilö. Käyttäjän pitää olla hyvin perillä käyttöön liittyvistä vaaroista. Tuote ja sen varusteet saattavat aiheuttaa vaaratilanteita, jos kokemattomat henkilöt käyttävät tuotetta ohjeiden vastaisesti tai muutoin asiattomasti.
- Oheinen käyttöohje vastaa tekniikan tasoa painatushetkellä. Katso uusin versio internetistä Hiltin tuotesivustolta. Sinne pääset tässä käyttöohjeessa olevasta linkistä tai QR-koodilla, joka on merkitty symbolilla .
- Varmista, että tämä käyttöohje on mukana, kun luovutat tuotteen toiselle henkilölle.

#### 1.2 Merkkien selitykset

##### 1.2.1 Varoitushuomautukset

Varoitushuomautukset varoittavat tuotteen käyttöön liittyvistä vaaroista. Seuraavia varoitustekstejä käytetään:

#### VAKAVA VAARA

##### VAKAVA VAARA !

- ▶ Varoittaa uhaavasta vaaratilanteesta, josta voi seurauksena olla vakava loukkaantuminen tai jopa kuolema.

#### VAARA

##### VAARA !

- ▶ Varoittaa mahdollisesta vaarasta, josta voi seurauksena olla vakava loukkaantuminen tai kuolema.

#### VAROITUS

##### HUOMIO !

- ▶ Varoittaa mahdollisesta vaaratilanteesta, josta voi seurata loukkaantuminen tai aineellinen vahinko.



### 1.2.2 Symbolit käyttöohjeessa

Tässä käyttöohjeessa käytetään seuraavia symboleita:

	Noudata käyttöohjetta
	Toimintaohjeita ja muuta hyödyllistä tietoa
	Kierrätyskelpoisten materiaalien käsittely
	Älä hävitä sähkölaitteita ja akkuja tavallisen sekajätteen mukana
	<b>Hilti</b> Litiumioniakku
	<b>Hilti</b> Laturi

### 1.2.3 Symbolit kuvissa

Kuvissa käytetään seuraavia symboleita:

	Nämä numerot viittaavat vastaavaan kuvaan tämän käyttöohjeen alussa.
	Numerointi kertoo työvaiheiden järjestyksen kuvissa ja saattaa poiketa numeroinnista tekstissä.
	Kohtanumeroita käytetään kuvassa <b>Yleiskuva</b> , ja ne viittaavat kuvatekstien numerointiin kappa-leessa <b>Tuoteyhteenveto</b> .
	Tämän merkin tarkoitus on kiinnittää erityinen huomiosi tuotteen käyttöön ja käsittelyyn.

## 1.3 Tuotekohtaiset symbolit

### 1.3.1 Symbolit tuotteessa

Tuotteessa voidaan käyttää seuraavia symboleita:

RPM	Iskuluku minuutissa
$n_0$	Joutokäynti-iskuluku
---	Tasavirta
	Tämä tuote tukee iOS- ja Android-alustojen kanssa yhteensopivaa NFC-teknologiaa.
Li-Ion	Litiumioniakku
	Älä koskaan käytä akkua lyöntityökaluna.
	Älä päästä akkua putoamaan. Älä käytä akkua, johon on kohdistunut isku tai joka on muutoin vaurioitunut.

## 2 Turvallisuus

### 2.1 Sähkötyökaluja koskevat yleiset turvallisuusohjeet

**⚠ VAKAVA VAARA** Lue kaikki turvallisuus- ja käyttöohjeet, selostukset ja tekniset tiedot, jotka liittyvät tähän sähkötyökaluun. Seuraavien ohjeiden noudattamatta jättäminen saattaa johtaa sähköiskuun, tulipaloon ja/tai vakavaan loukkaantumiseen.

**Säilytä kaikki turvallisuus- ja käyttöohjeet huolellisesti vastaisen varalle.**

Turvallisuusohjeissa käytetty käsite "sähkötyökalu" tarkoittaa verkkokäyttöisiä sähkötyökaluja (joissa verkkojohto) ja akkukäyttöisiä sähkötyökaluja (joissa ei verkkojohtoa).

#### Työpaikan turvallisuus

- **Pidä työskentelyalue siistinä ja hyvin valaistuna.** Työpaikan epäjärjestys ja valaisemattomat työalueet voivat johtaa tapaturmiin.





- ▶ **Älä käytä sähkötyökalua räjähdyssaltiliissa ympäristössä, jossa on syttyvää nestettä, kaasua tai pölyä.** Sähkötyökalut synnyttävät kipinöitä, jotka saattavat sytyttää pölyn tai höyryt.
- ▶ **Pidä lapset ja sivulliset loitolla sähkötyökalua käyttäessäsi.** Voit menettää koneen hallinnan huomiosi suuntautuessa muualle.

### Sähköturvallisuus

- ▶ **Sähkötyökalun pistokkeen pitää sopia pistorasiaan. Pistoketta ei saa muuttaa millään tavalla. Älä käytä pistorasia-adaptoreita suojamaadotettujen sähkötyökalujen yhteydessä.** Alkuperäisessä kunnossa olevat pistokkeet ja sopivat pistorasiat vähentävät sähköiskun vaaraa.
- ▶ **Vältä koskettamasta sähköä johtaviin pintoihin kuten putkiin, pattereihin, liesiin ja jääkaappeihin.** Sähköiskun vaara kasvaa, jos kehosi maadottuu.
- ▶ **Älä aseta sähkötyökalua alttiiksi sateelle tai kosteudelle.** Veden tunkeutuminen sähkötyökalun sisään lisää sähköiskun vaaraa.
- ▶ **Älä kannata tai ripusta sähkötyökalua verkkojohdostaan äläkä vedä pistoketta irti pistorasiasta johdosta vetämällä. Pidä johto loitolla kuumuudesta, öljystä, terävistä reunoista ja liikkuvista osista.** Vahingoittuneet tai toisiinsa kietoutuneet johdot lisäävät sähköiskun vaaraa.
- ▶ **Kun käytät sähkötyökalua ulkona, käytä ainoastaan ulkokäyttöön soveltuvia jatkojohtoja.** Ulko-käyttöön soveltuvan jatkojohdon käyttö pienentää sähköiskun vaaraa.
- ▶ **Jos sähkötyökalua on välttämätöntä käyttää kosteassa ympäristössä, käytä vikavirtasuojakytkintä.** Vikavirtasuojakytkimen käyttö pienentää sähköiskun vaaraa.

### Henkilöturvallisuus

- ▶ **Ole valpas, kiinnitä huomiota työskentelyysi ja noudata tervettä järkeä sähkötyökalua käyttäessäsi. Älä käytä sähkötyökalua, jos olet väsynyt tai huumeiden, alkoholin tai lääkkeiden vaikutuksen alaisena.** Sähkötyökalua käytettäessä hetkellisenkin varomattomuus saattaa aiheuttaa vakavia vammoja.
- ▶ **Käytä henkilökohtaisia suojavarusteita ja aina suojalaseja.** Henkilökohtaiset suojavarusteet, kuten hengityssuojain, luistamattomat turvajalkineet, kypärä ja kuulosuojaimet, pienentävät oikein käytettyinä loukkaantumisriskiä sähkötyökalun käyttötilanteesta riippuen.
- ▶ **Varo tahatonta käynnistämistä. Varmista, että sähkötyökalu on kytketty pois päältä, ennen kuin liität sen verkkovirtaan ja/tai liität siihen akun, otat sen käteesi tai kannat sitä.** Jos kannat sähkötyökalua sormi käyttökytkimellä tai liität pistokkeen pistorasiaan käyttökytkimen ollessa käyntiasennossa, altistat itsesi onnettomuuksille.
- ▶ **Poista kaikki säätötyökalut ja ruuvitaltat, ennen kuin käynnistät sähkötyökalun.** Työkalu tai avain, joka sijaitsee koneen pyörivässä osassa, saattaa johtaa loukkaantumiseen.
- ▶ **Vältä vaikeita työskentelyasentoja. Varmista aina tukeva seisoma-asento ja tasapaino.** Siten voit paremmin hallita sähkötyökalua odottamattomissa tilanteissa.
- ▶ **Käytä työhösi soveltuvia vaatteita. Älä käytä löysiä työvaatteita tai koruja. Pidä hiukset, vaatteet ja käsiineet loitolla liikkuvista osista.** Vältä vaatteet, korut ja pitkät hiukset voivat takertua liikkuviin osiin.
- ▶ **Jos pölynpoisto- ja keräilylaitteita voidaan asentaa, sinun on tarkastettava, että ne on liitetty oikein ja että niitä käytetään oikealla tavalla.** Pölynpoistovarustuksen käyttö vähentää pölyn aiheuttamia vaaroja.
- ▶ **Älä tuudittaudu virheelliseen turvallisuuden tunteeseen äläkä laiminlyö sähkötyökaluja koskevia turvallisuusohjeita silloinkaan, kun mielestäsi jo olet kokenut sähkötyökalun käyttäjä. Harkitsema-ton ja huolimaton toiminta voi sekunnin murto-osissa johtaa vakaviin loukkaantumisiin.**

### Sähkötyökalun käyttö ja käsittely

- ▶ **Älä ylikuormita konetta. Käytä kyseiseen työhön tarkoitettua sähkötyökalua.** Sopivaa sähkötyökalua käyttäen työskentelet paremmin ja varmemmin tehoalueella, jolle sähkötyökalu on tarkoitettu.
- ▶ **Älä käytä sähkötyökalua, jonka käyttökytkin ei toimi.** Sähkötyökalu, jota ei enää voida käynnistää ja pysäyttää käyttökytkimellä, on vaarallinen ja se täytyy korjata.
- ▶ **Irrota pistoke pistorasiasta ja/tai irrota akku ennen kuin muutat säätöjä, vaihdat terää tai lisävarusteita ja kun lopetat koneen käyttämisen.** Tämä turvatoimenpide estää sähkötyökalun tahattoman käynnistysriskin.
- ▶ **Säilytä sähkötyökalut poissa lasten ulottuvilta, kun niitä ei käytetä. Älä anna toisten henkilöiden käyttää konetta, elleivät he ole perehtyneet sen käyttöön ja lukeneet käyttöohjeita.** Sähkötyökalut ovat vaarallisia, jos niitä käyttävät kokemattomat henkilöt.
- ▶ **Hoida sähkötyökaluja ja niiden varusteita huolella. Tarkasta, että liikkuvat osat toimivat moitteettomasti eivätkä ole puristuksissa, ja tarkasta myös, ettei sähkötyökalussa ole murtuneita tai vaurioituneita osia, jotka saattaisivat haitata sen toimintaa. Korjauta vaurioituneet osat ennen koneen käyttämistä.** Usein loukkaantumisten ja tapaturmien syynä on sähkötyökalujen laiminlyöty huolto.



- **Pidä terät terävinä ja puhtaina.** Huolella hoidetut terät, joiden leikkausreunat ovat teräviä, eivät jumitu herkästi, ja niillä työnteko on kevyempää.
- **Käytä sähkötyökalua, lisävarusteita ja tarvikkeita, teriä jne. niiden käyttöohjeiden mukaisesti. Ota tällöin työolosuhteet ja suoritettava työtehtävä huomioon.** Sähkötyökalun käyttö muuhun kuin sille tarkoitettuun käyttöön saattaa johtaa vaarallisiin tilanteisiin.
- **Pidä käsikahvat ja tartuntapinnat kuivina, puhtaina, öljyttöminä ja rasvattomina.** Jos käsikahvat tai tartuntapinnat ovat liukkaat, sähkötyökalun turvallinen käyttö ja hallinta voi yllättävissä tilanteissa olla mahdollonta.

#### Akkukäyttöisen sähkötyökalun käyttö ja käsittely

- **Lataa akku vain valmistajan suositamalla laturilla.** Jos laturi on tarkoitettu vain tietyn akkumallin lataamiseen, palovaara on olemassa, jos laturia käytetään muiden akkujen lataamiseen.
- **Käytä ainoastaan juuri kyseiseen sähkötyökaluun tarkoitettua akkua.** Jonkun muun akun käyttö saattaa johtaa loukkaantumiseen ja tulipaloon.
- **Pidä irrallinen akku loitolla metalliesineistä, kuten paperinliittimistä, kolikoista, avaimista, nau-loista, ruuveista tai muista pienistä metalliesineistä, jotka voivat oikosulkea akun liittimet.** Akun liittimien välinen oikosulku saattaa aiheuttaa palovammoja tai johtaa tulipaloon.
- **Väärästä käytöstä johtuen saattaa akusta vuotaa nestettä, jota ei saa koskettaa. Vältä kosketusta sen kanssa. Tarvittaessa huuhtelee kosketuskohta vedellä. Jos nestettä pääsee silmiin, tarvitaan lisäksi lääkärin apua.** Akusta vuotava neste saattaa aiheuttaa ärsytystä ja palovammoja.
- **Älä käytä akkua, joka on vaurioitunut tai johon on tehty muutoksia.** Vaurioitunut akku tai akku, jota on muutettu, saattaa käyttäytyä yllättävästi ja aiheuttaa tulipalon, räjähdysksen ja vammoja.
- **Varjele akkua avotulelta ja korkeilta lämpötiloilta.** Avotuli tai yli 130 °C:n (265 °F) lämpötila voi aiheuttaa räjähdysksen.
- **Noudata kaikkia akun lataamisesta annettuja ohjeita, ja lataa akku tai akun sisältävä sähkötyökalu aina käyttöohjeessa mainittuja lämpötilarajoja noudattaen.** Akun virheellinen lataaminen tai lataami-nen sallitun lämpötila-alueen lämpötiloja noudattamatta saattaa johtaa akun tuhoutumiseen ja aiheuttaa tulipalovaaran.

#### Huolto

- **Anna koulutettujen ammattihenkilöiden korjata sähkötyökalusi ja hyväksy korjauksiin vain alkupe-räisiä varaosia.** Siten varmistat koneen turvallisuuden säilymisen.
- **Älä koskaan yritä huoltaa vaurioitunutta akkua.** Akkujen kaikki huoltotyöt saa suorittaa vain valmistaja tai sen valtuuttama huoltopiste.

## 2.2 Turvallisuusohjeet koskien edestakaisin liikkuvalla sahanterällä tehtäviä sahausia

- **Pidä sähkötyökalusta kiinni vain sen eristetyistä kahvapinnoista, jos teet työtä, jossa sähkötyökalun terä saattaa osua rakenteen sisällä olevaan virtajohtoon.** Jos terä osuu virtajohtoon, koneen metalliosiin saattaa johtua virta, jolloin voit saada sähköiskun.
- **Kiinnitä työkaluun puristimilla tai muulla vastaavalla tavalla tukevaan alustaan.** Työkappaleen pitäminen paikallaan käsin tai keholla painaen ei ole riittävän tukevaa, joten saatat menettää koneen ja työkaluun hallinnan.

## 2.3 Muut turvallisuusohjeet

- Käytä vain tuotetta ja lisävarusteita, jotka ovat teknisesti moitteettomassa kunnossa.
- Älä koskaan tee tuotteeseen tai lisävarusteisiin minkäänlaisia muutoksia.
- Hiottaessa, kiillotettaessa, leikattaessa ja porattaessa syntyvä pöly saattaa sisältää vaarallisia kemikaaleja. Niistä esimerkkejä ovat: lijy tai lijyypitoiset maalit; tiili, betoni ja muut muuraustuotteet, luonnonkivi ja muut siikaatteja sisältävät tuotteet; tietyt puulajit kuten tammi, pyökki ja kemiallisesti käsitellyt puut; asbesti tai asbestia sisältävät materiaalit. Määritä työstettävien materiaalien vaaraluokituksen perusteella käyttäjän ja lähellä olevien henkilöiden altistumisvaara. Ryhdy tarvittaviin toimenpiteisiin altistumisen pitämiseksi turvallisella tasolla, esimerkiksi käytettävä pölynkeräysjärjestelmää tai soveltuva hengityssuojainta. Altistumisen määrää pienentäviä yleisluonteisia toimenpiteitä ovat:
  - työn tekeminen hyvin tuulettuvassa tilassa,
  - pitkään kestävä pölyaltistuksen välttäminen,
  - pölyn ohjaaminen pois kasvoilta ja keholta,
  - suojavaatetuksen käyttö ja kehon altistuneiden kohtien pesu vedellä ja saippualla.
- Putoamaan pääsevät työkalut ja/tai lisävarusteet aiheuttavat loukkaantumisaaran. Ennen työn aloitta-mista tarkasta, että asennettu lisävaruste on kunnolla kiinnitetty.



- ▶ Pidä jäähdytysilmaraot aina puhtaina. Jäähdytysilmarakojen peittyminen tai tukkeutuminen aiheuttaa palovaaran!
- ▶ Pidä työssäsi usein taukoja, joiden aikana tee sormien verenkiertoa parantavia sormivoimisteluliikkeitä. Pitempään jatkuva työnteko saattaa tänä vuoksi aiheuttaa verenkiertohäiriöitä tai sormien, käsien ja ranteiden hermokipuja.
- ▶ Älä kiinnitä vyökoukkuja tähän tuotteeseen.
- ▶ Älä katso suoraan tuotteen valoon (LED) äläkä suuntaa valoa muiden henkilöiden kasvoihin. Sokaistumisvaara on olemassa.
- ▶ Tuotteen käyttämisen aikana käyttäjän ja välittömässä läheisyydessä olevien henkilöiden on käytettävä silmäsuojaimia, suojakypärää, kuulosuojaimia, suojakäsineitä ja kevyitä hengityssuojaimia.
- ▶ Sirpaleet saattavat aiheuttaa vammoja ja vahingoittaa silmiä. Käytä henkilökohtaisia suojavarusteita ja aina silmäsuojaimia ja suojakäsineitä.
- ▶ Käytä työkaluterän vaihdossa suojakäsineitä. Työkaluterän koskettaminen saattaa aiheuttaa haavoja ja palovammoja.
- ▶ Älä vie käsiäsi sahausalueelle tai lähelle sahanterää. Tarvittaessa tue tuotetta toisella kädelläsi moottori-kotelosta. Kun pidät sahasta kiinni molemmiin käsiin, et voi satuttaa käsiäsi terään.
- ▶ Odota, että tuote on täysin pysähtynyt, ennen kuin lasket sen kädestäsi.
- ▶ Älä käytä tylsiä tai vaurioituneita sahanteräiä. Ne lisäävät kitkaa sekä sahanterän kiinni tarttumisen ja takaiskun vaaraa.
- ▶ Saha työkalupaleet aina tukevalla alustalla. Älä koskaan pidä sahattavaa työkappaletta paikallaan käsin tai jalalla.
- ▶ Kytke tuote päälle vasta, kun olet juuri aloittamassa työn.
- ▶ Työskennellessäsi ohjaa tuotetta aina itsestäsi pois päin.
- ▶ Älä tartu työkappaleeseen kiinni sen alapinnalta.
- ▶ Paina kohtuullisella voimalla ja käytä sopivaa sahausnopeutta, etenkin jos putken halkaisija on suuri. Näin vältät tuotteen ylikuumentumisen.
- ▶ Käytä aina riittävän pitkää sahanterää. Sahanterän pitää koko liikkeensä myötä tulla ulos sahattavasta työkappaleesta.
- ▶ Älä koskaan sahaa materiaaleja, joista et tiedä mitä niiden sisällä on, ja pidä sahauskohdan ylä- ja alapinta vapaana.
  - ▶ Esteeseen osuva sahanterä voi aiheuttaa tuotteen takaiskun.
- ▶ Pidä käsivarsiasi asennossa, jossa pystyt vastustamaan takaiskuvoimia.
- ▶ Tuotteen painotalla on painettava vasten työstettävää pintaa. Siten varmistat siistin ja turvallisen työnteon.
- ▶ Pysyttele aina sahanterän sivulla, älä koskaan asetu samaan linjaan sahanterän kanssa. Takaisku voi saada sahan ponnahtamaan taaksepäin!
- ▶ Jos sahanterä tarttuu kiinni tai keskeytät työnteon, kytke saha pois päältä ja odota rauhallisesti, kunnes sahanterä on kokonaan pysähtynyt. Älä koskaan yritä nostaa sahaa irti työkappaleesta tai vetää sahaa taaksepäin sahanterän vielä pyöriessä, sillä muutoin takaisku saattaa yllättää.
- ▶ Kun haluat käynnistää uudelleen sahan, jonka terä on työkappaleessa, keskitä ensin sahanterä sahausrakoon ja tarkasta, ettei sahanterän yksikään hammas ole kiinni työkappaleessa.
- ▶ Ole erityisen varovainen upottaessasi terää seinään tai muuhun kohteeseen, jonka rakennetta et näe tarkasti. Materiaaliin upotettava sahanterä saattaa tarttua kiinni materiaalin sisällä oleviin kappaleisiin tai esineisiin, minkä seurauksena kone iskee takaisin.
- ▶ Aktivoi kuljetusvarmistin aina, kun varastoit tuotteen tai kuljetat sitä.
- ▶ Noudata valmistajan antamia ohjeita koskien sahanterien käsittelyä ja säilyttämistä.
- ▶ Kun teet reikiä, varmista työstettävän kohdan taustapuoli.
- ▶ Tarkasta ennen työn aloittamista, onko työskentelyalueella rakenteiden sisälle asennettuja sähköjohtoja tai kaasu- ja vesiputkia. Tuotteen ulkopinnan metalliosista saatat saada sähköiskun tai aiheuttaa räjähdyksen, jos vahingossa osut sähköjohtoon, kaasuputkeen tai vesiputkeen.
- ▶ Kun katkaiset putkea, pidä tuote katkaistavan putken yläpuolella.
  - ▶ Tuotetta ei ole suojattu kosteuden sisään tunkeutumiselta. Tuotteen sisään pääsevä neste voi aiheuttaa oikosulun.
- ▶ Putkia katkaistessasi varmista, ettei putkissa enää ole nestettä. Tarvittaessa tyhjennä ne ensin.

## 2.4 Akkujen käyttö ja hoito

- ▶ **Noudata seuraavia turvallisuusohjeita, jotka varmistavat litiumioniakkujen turvallisen käsittelyn ja käytön.** Ohjeiden noudattamatta jättäminen saattaa aiheuttaa ihoärsytystä, vakavia syöpymisvammoja, kemiallisia palovammoja, tulipalon ja/tai räjähdyksen.



- ▶ Käytä vain akkua, joka on teknisesti moitteettomassa kunnossa.
- ▶ Käsittele akkuja huolellisesti, jotta vältät vauriot ja terveydelle vakavasti vaarallisten nesteiden vuotamisen ulos!
- ▶ Akkuja ei saa mitenkään muuttaa tai manipuloida!
- ▶ Akkuja ei saa avata, puristaa, kuumentaa lämpötilaan yli 80 °C (176 °F) tai polttaa.
- ▶ Älä käytä tai lataa akkua, johon on kohdistunut isku tai joka muutoin on vaurioitunut. Tarkasta akustasi vaurioiden merkit säännöllisin välein.
- ▶ Älä koskaan käytä kierrätettyä tai korjattua akkua.
- ▶ Älä käytä akkua tai akkukäyttöistä sähkötyökalua koskaan lyöntityökaluna.
- ▶ Älä koskaan altista akkua suoralle auringonpaisteelle, korkealle lämpötilalle, kipinöille tai avotulelle. Siitä voi aiheutua räjähdys.
- ▶ Älä kosketa akun napoja sormilla, työkaluilla, koruilla tai muilla metallisilla esineillä. Seurauksena akku voi vaurioitua ja aiheuttaa aineellisia vahinkoja tai vammoja.
- ▶ Älä altista akkua sateelle, kosteudelle tai nesteille. Sisään tunkeutunut kosteus voi aiheuttaa oikosulun, sähköiskun, palovammoja tai räjähdyksen.
- ▶ Käytä aina vain tälle akkutyypille tarkoitettuja latureita ja sähkötyökaluja. Noudata niiden käyttöohjeissa annettuja ohjeita.
- ▶ Älä käytä tai varastoi akkua räjähdysvaarallisessa ympäristössä.
- ▶ Jos akku on liian kuuma koskea, se saattaa olla vaurioitunut. Laita akku palovaarattomaan paikkaan ja riittävän etäälle syttyvistä materiaaleista. Anna akun jäähtyä. Jos akku vielä tunnin kuluutuakin on liian kuuma koskea, akku on vaurioitunut. Ota yhteys **Hilti**-huoltoon tai lue dokumentti "Hilti-litiumioniakkujen turvallisuuteen ja käyttöön liittyviä ohjeita".

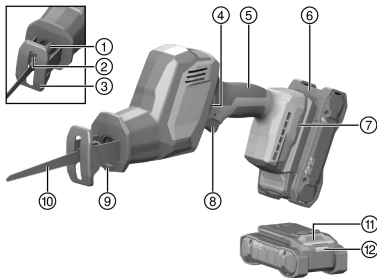


Noudata erityisiä ohjeita ja direktiivejä, jotka koskevat litiumioniakkujen kuljettamista, varastointia ja käyttöä.

Lue **Hilti**-litiumioniakkujen turvallisuuteen ja käyttöön liittyvät ohjeet, jotka saat skannaamalla tämän käyttöohjeen lopussa olevan QR-koodin.

### 3 Kuvaus

#### 3.1 Tuoteyhteenveto



- ① Sahanterän lukitusholkki
- ② Sahanterän istukka
- ③ Painotalla
- ④ Kuljetusvarmistin
- ⑤ Käsikahva
- ⑥ Akku
- ⑦ Lisävarusteiden kiinnitysaukko
- ⑧ Käyttökytkin
- ⑨ Työaluevalo (LED)
- ⑩ Sahanterä
- ⑪ Akun lukituksen vapautuspainike
- ⑫ Akun tilanäyttö

#### 3.2 Tarkoituksenmukainen käyttö

Kuvattu tuote on akkukäyttöinen puukkosaha. Se on tarkoitettu puun, puun kaltaisten ja metallisten materiaalien sekä tiilen ja muovien sahaamiseen.

Tuote on tarkoitettu yhdellä kädellä käytettäväksi.

- Käytä tässä tuotteessa vain tyyppisarjan B 22 **Hilti** Nuron -litiumioniakkuja. Parhaan tehon saavuttamiseksi **Hilti** suosittelee, että tässä tuotteessa käytetään vain tämän käyttöohjeen lopussa olevassa taulukossa mainittuja akkuja.
- Käytä näiden akkujen lataamiseen vain tämän käyttöohjeen lopussa olevassa taulukossa mainittujen tyyppisarjojen **Hilti**-latureita.



### 3.3 Mahdollinen väärä käyttö

- ▶ Älä sahaa betonia, kaasubetonia, luonnonkiveä tai laattoja.
- ▶ Älä käytä tuotetta nestettä sisältävien putkien katkaisemiseen.
- ▶ Älä sahaa materiaalia, jonka sisällä olevaa rakennetta tai materiaaleja et tiedä.

### 3.4 Toimituksen sisältö

Puukkosaha, käyttöohje.

Muita tälle tuotteelle hyväksytyjä järjestelmätuotteita löydät **Hilti Store** -liikkeestä tai nettiosoitteesta: [www.hilti.group](http://www.hilti.group)

### 3.5 Litiumioniakun näyttö

**Hilti** Nuron -litiumioniakuissa on lataustilan, vikailmoitusten ja akun kunnan näyttö.

#### 3.5.1 Lataustilan ja vikailmoitusten näyttö



**VAARA**

**Loukkaantumisvaara akun putoamisesta aiheutuva!**

- ▶ Varmista, että akku on kunnolla lukittunut tuotteeseen, jos akun paikalleen laittamisen jälkeen olet painanut lukituksen vapautuspainiketta.

Jotta jokin seuraavista näytöistä voi tulla näyttöön, paina akun lukituksen vapautuspainiketta lyhyesti.

Lataustila ja mahdolliset häiriöt pysyvät näytössä niin kauan, kuin liitetty tuote on päälle kytkettyinä.

Tila	Merkitys
Neljä (4) LED-merkkivaloa palaa jatkuvasti vihreänä	Lataustila: 100...71 %
Kolme (3) LED-merkkivaloa palaa jatkuvasti vihreänä	Lataustila: 70...51 %
Kaksi (2) LED-merkkivaloa palaa jatkuvasti vihreänä	Lataustila: 50...26 %
Yksi (1) LED palaa jatkuvasti vihreänä	Lataustila: 25...10 %
Yksi (1) LED-merkkivalo vilkkuu hitaasti vihreänä	Lataustila: < 10 %
Yksi (1) LED-merkkivalo vilkkuu nopeasti vihreänä	Litiumioniakku on täysin tyhjentynyt. Lataa akku. Jos LED-merkkivalo akun lataamisen jälkeenkin vielä vilkkuu nopeasti, ota yhteys <b>Hilti</b> -huoltoon.
Yksi (1) LED-merkkivalo vilkkuu nopeasti keltaisena	Litiumioniakku tai siihen liitetty tuote on ylikuormittunut, liian kuuma tai liian kylmä tai jokin muu vika on olemassa. Saata tuote ja akku suositeltuun käyttölämpötilaan ja älä ylikuormita tuotetta sitä käyttäessäsi. Jos viesti edelleen on näytössä, ota yhteys <b>Hilti</b> -huoltoon.
Yksi (1) LED-merkkivalo palaa keltaisena	Litiumioniakku ja siihen liitetty tuote eivät ole yhteensopivat. Ota yhteys <b>Hilti</b> -huoltoon.
Yksi (1) LED-merkkivalo vilkkuu nopeasti punaisena	Litiumioniakku on estetty eikä sitä voida käyttää. Ota yhteys <b>Hilti</b> -huoltoon.

#### 3.5.2 Akun kunnan näyttö

Litiumioniakun kunnan voit hakea näyttöön painamalla akun lukituksen vapautuspainiketta yli kolmen sekunnin ajan. Järjestelmä tunnistaa akun mahdollisen virheellisen toiminnan väärin käyttämisen seurauksena, esimerkiksi akku päässyt putoamaan, akussa reikä, akussa ulkoisen lämmön aiheuttama vaurio jne.

Tila	Merkitys
Kaikki LED-merkkivalot syttyvät juoksevasti ja sitten yksi (1) LED-merkkivalo jää palamaan vihreänä.	Акун käyttämistä voidaan jatkaa.
Kaikki LED-merkkivalot syttyvät juoksevasti ja sitten yksi (1) LED-merkkivalo vilkkuu nopeasti keltaisena.	Kyselyä akun kunnosta ei saatu tehtyä loppuun saakka. Toista tämä vaihe tai ota yhteys <b>Hilti</b> -huoltoon.



Tila	Merkitys
Kaikki LED-merkkivalot syttyvät juoksevasti ja siten yksi (1) LED-merkkivalo jää palamaan punaise-na.	Jos liitettyä tuotetta voi edelleen käyttää, jäljellä oleva akkukapasiteetti on alle 50 %. Jos liitettyä tuotetta ei enää voi käyttää, akku on tullut käyttöikänsä päähän ja vaihdettava. Ota yhteys <b>Hilti</b> -huoltoon.

## 4 Tekniset tiedot

### 4.1 Puukkosaha

	SR 4-22
Tuotesukupolvi	02
Nimellisjännite	21,6 V
Paino EPTA Procedure 01 mukaan ilman akkua	2 kg
Iskuluku	0/min ... 3 000/min
Iskupituus	23,2 mm
Istukka, käyttö ilman työkaluja standarditerille	1/2 in
Varastointilämpötila	-20 °C ... 70 °C
Ympäristön lämpötila käytettäessä	-17 °C ... 60 °C

### 4.2 Akku

Akkutoimintajännite	21,6 V
Akun paino	Ks. tämän käyttöohjeen loppu
Ympäristön lämpötila käytettäessä	-17 °C ... 60 °C
Varastointilämpötila	-20 °C ... 40 °C
Akun lämpötila lataamisen alkaessa	-10 °C ... 45 °C

### 4.3 Melutiedot ja värinäärvot

Tässä käyttöohjeessa annetut äänenpaine- ja värinäärvot on mitattu standardoitujen mittausmenetelmien mukaisesti, ja näitä arvoja voidaan käyttää sähkötyökalujen vertailussa. Ne soveltuvat myös altistumisten tilapäiseen arviointiin.

Annetut arvot koskevat sähkötyökalun pääasiallisia käyttötarkoituksia. Jos sähkötyökalua kuitenkin käytetään muihin tarkoituksiin, poikkeavia työkaluteriä käyttäen tai puutteellisesti huollettuna, arvot voivat poiketa tässä ilmoitetuista. Tämä saattaa merkittävästi lisätä altistumista koko työskentelyajan aikana.

Altistumisia tarkasti arvioitaessa on otettava huomioon myös ne ajat, jolloin sähkötyökalu on kytketty pois päältä tai jolloin sähkötyökalu on päällä, mutta sillä ei tehdä varsinaista työtä. Tämä saattaa merkittävästi vähentää altistumista koko työskentelyajan aikana.

Käyttäjän suojaamiseksi melun ja/tai värinän vaikutukselta ryhdy tarpeellisiin turvatoimenpiteisiin kuten: Sähkötyökalun ja siihen kiinnitettävien työkaluterien huolto, käsien lämpimänä pitäminen, työtehtävien organisointi.

Yksityiskohtaista tietoa tässä sovelletuista **EN 62841**-standardin versioista löydät kohdasta Vaatimus-tenmukaisuusvakuutuksen kuva 219.

### Meluarvot

	SR 4-22
Äänitehotaso ( $L_{WA}$ )	95 dB(A)
Äänitehotason epävarmuus ( $K_{WA}$ )	5 dB(A)
Äänenpainetaso ( $L_{pA}$ )	87 dB(A)
Äänenpainetaso epävarmuus ( $K_{pA}$ )	5 dB(A)



## Tärinäarvot

Tärinäarvo sahattaessa lastulevyä ( $a_{h,B}$ )	B 22-55	12,8 m/s <sup>2</sup>
	B 22-85	11,1 m/s <sup>2</sup>
Tärinäarvo sahattaessa puupalkkia ( $a_{h,WB}$ )	B 22-55	11,5 m/s <sup>2</sup>
	B 22-85	12,2 m/s <sup>2</sup>
Epävarmuus (K)		1,5 m/s <sup>2</sup>

## 5 Käyttö

### 5.1 Akun lataus

- Ennen lataamista lue laturin käyttöohje.
- Varmista, että liittimet akussa ja laturissa ovat puhtaat ja kuivat.
- Lataa akku hyväksytyllä laturilla. 64

### 5.2 Akun kiinnitys

#### VAARA

#### Loukkaantumisvaara akun oikosulun tai putoamisen seurauksena!

- Ennen akun paikalleen laittamista varmista, ettei akun liittimissä akussa ja tuotteessa ole vieraita esineitä.
- Varmista, että akku aina lukittuu kunnolla paikalleen.

- Lataa akku täyteen ennen ensimmäistä käyttökertaa.
- Työnnä akku tuotteeseen siten, että akku kuultavasti lukittuu paikalleen.
- Tarkasta, että akku on kunnolla kiinni.

### 5.3 Akun irrotus

- Paina akun lukituksen vapautuspainiketta.
- Vedä akku irti tuotteesta.

### 5.4 Putoamissuoja

#### VAARA

#### Loukkaantumisvaara työkalun ja/tai lisävarusteen putoamisvaaran vuoksi!

- Käytä vain tuotteellesi suositeltua **Hilti**-työkäluiliinaa.
- Aina ennen käyttöä tarkasta työkaluliinan kiinnityspisteen mahdolliset vauriot.



Noudata maassasi voimassa olevia korkealla tehtävien töiden määräyksiä ja ohjeita.

Käytä tämän tuotteen putoamissuojana ainoastaan **Hilti**-putoamisvarmistimen #2293133 ja **Hilti**-työkäluiliinan #2261970 yhdistelmää.

- Kiinnitä putoamisvarmistin lisävarusteelle tarkoitettuihin kiinnitysaukkoihin. Tarkasta kunnollinen kiinnitys.
- Kiinnitä toinen karbiinikoukku putoamisvarmistuksen työkaluliinaan ja toinen karbiinikoukku kantavaan rakenteeseen. Tarkasta kummankin karbiinikoukun kunnollinen kiinnitys.



Noudata **Hilti**-putoamisvarmistimen ja **Hilti**-työkäluiliinan käyttöohjeita.

### 5.5 Sahanterän kiinnittäminen



Käytä vain sahanteriä, joissa on 1/2"-kiinnityspää.

- Tarkasta, että työkalun kiinnityspää on puhdas ja kevyesti rasvattu. Tarvittaessa puhdista ja rasvaa kiinnityspää.
- Kierrä istukan lukitsinholkkia vastapäivään ja pidä se painettuna.



3. Paina sahanterä edestäpäin istukkaan.
4. Anna lukitsinholkin palautua perusasentoonsa siten, että se kuultavasti lukittuu.
5. Tarkasta sahanterästä vetämällä, että se on lukittunut paikalleen.

## 5.6 Sahanterän irrotus

### VAROITUS

**Loukkaantumisvaara!** Työkaluterä voi olla kuuma ja/tai teräväreunainen.

- ▶ Käytä suojakäsineitä, kun vaihdat työkaluterää.
- ▶ Älä koskaan laske työkaluterää syttyvälle alustalle.

1. Kierrä istukan lukitsinholkkia vastapäivään ja pidä se painettuna.
2. Vedä sahanterä eteenpäin irti istukasta.
3. Anna lukitsinholkin palautua perusasentoonsa.

## 6 Käyttö

Noudata tässä dokumentaatioissa ja tuotteessa olevia turvallisuus- ja varoitushuomautuksia.

### 6.1 Sahaaminen

#### VAARA

**Loukkaantumisvaara jos saha ei ole täysin pysähtynyt !**

- ▶ Nosta tuote työkappaleesta vasta, kun tuote on täysin pysähtynyt.
- ▶ Odota, että tuote on täysin pysähtynyt, ennen kuin lasket sen kädestäsi.

1. Deaktivoi kuljetusvarmistin ja paina sitten käyttökytkintä.
2. Sahaamisen päätteeksi vapauta käyttökytkin.
3. Aktivoi kuljetusvarmistin.

## 7 Huolto, hoito ja kunnossapito

### VAARA

**Loukkaantumisvaara jos akku paikallaan !**

- ▶ Irrota akku aina ennen hoito- ja kunnostustöitä!

#### Tuotteen hoito

- Puhdista pinttynyt lika varovasti.
- Jos tuotteessa on jäähdytysilmaraot, puhdista ne varovasti kuivalla ja pehmeällä harjalla.
- Puhdista kotelon pinnat vain kevyesti kostutetulla kankaalla. Älä käytä siilikonia sisältäviä hoitoaineita, sillä ne saattavat vaurioittaa muoviosia.
- Voitele istukka ulko- ja sisäpuolelta säännöllisesti. Käytä siihen **Hilti**-spraytä 314648.
- Käytä tuotteen liittimien puhdistamiseen vain puhdasta ja kuivaa kangaspalaa.

#### Litiumioniakkujen hoito

- Älä koskaan käytä akkua, jos sen jäähdytysilmaraot ovat tukkeutuneet. Puhdista jäähdytysilmaraot varovasti kuivalla, pehmeällä harjalla.
- Vältä altistamista akkua tarpeettomasti pölylle tai lialle. Älä koskaan altista akkua suurelle kosteudelle (esimerkiksi upota veteen tai jätä sateeseen).  
Jos akku on pahoin kastunut, käsittele sitä kuin vaurioitunutta akkua. Eristä akku palamattomasta materiaalista valmistettuun astiaan ja ota yhteys **Hilti**-huoltoon.
- Pidä akku öljyttömänä ja rasvattomana. Älä anna pölyn ja lian kertyä akun pintaan. Puhdista akku kuivalla, pehmeällä harjalla tai puhtaalla, kuivalla kankaalla. Älä käytä siilikonia sisältäviä hoitoaineita, sillä ne saattavat vaurioittaa muoviosia.  
Älä kosketa akun liittimiä äläkä poista akun liittimiin tehtaalla laitettua rasvaa.
- Puhdista kotelon pinnat vain kevyesti kostutetulla kankaalla. Älä käytä siilikonia sisältäviä hoitoaineita, sillä ne saattavat vaurioittaa muoviosia.





## Kunnossapito

- Tarkasta säännöllisin välein kaikkien näkyvien osien mahdolliset vauriot ja käyttöelementtien moitteeton toiminta.
- Jos havaitset vaurioita ja/tai toimintahäiriöitä, älä käytä tuotetta. Korjauta tuote viipymättä **Hilti**-huollossa.
- Hoito- ja kunnostustöiden jälkeen kiinnitä kaikki suojalaitteet takaisin ja tarkasta niiden moitteeton toiminta.



Käyttöturvallisuuden varmistamiseksi käytä vain alkuperäisiä varaosia ja käyttömateriaaleja. **Hiltin** tälle tuotteelle hyväksymiä varaosia, kulutusmateriaaleja ja lisävarusteita löydät **Hilti Store** -liikkeestä tai osoitteesta: [www.hilti.group](http://www.hilti.group)

## 8 Kuljetus ja varastointi

### Akkuyökalujen ja akkujen kuljetus



#### VAROITUS

#### Käynnistyminen vahingossa kuljetuksen aikana !

- ▶ Kuljeta tuotteesi aina akku irrotettuna!
- ▶ Irrota akku/akut.
- ▶ Älä koskaan kuljeta akkuja irrallaan muiden tavaroiden joukossa. Akut on suojattava kuljetuksen ajaksi kovilta iskuilta ja värinäältä, ja ne on eristettävä kaikenlaisista sähköä johtavista materiaaleista ja muista akuista, jotta niiden navat eivät pääse kosketuksiin muiden akkujen napojen kanssa. Seurauksena saattaisi olla oikosulku. **Noudata maakohtaisia akkujen kuljetusmääräyksiä.**
- ▶ Akkuja ei saa koskaan lähettää postitse. Käännä kuljetusyrityksen puoleen, kun haluat lähettää vaurioittomia akkuja.
- ▶ Tarkasta tuotteen ja akun mahdolliset vauriot aina ennen käyttöä sekä ennen pitkää kuljetusta ja sen jälkeen.

### Akkuyökalujen ja akkujen varastointi



#### VAARA

#### Viallinen tai vuotava akku voi aiheuttaa vaurioita !

- ▶ Varastoi tuotteesi aina akku irrotettuna!
- ▶ Varastoi tuote ja akut viileässä ja kuivassa paikassa. Ota huomioon lämpötilarajat, jotka on annettu kohdassa Tekniset tiedot 66.
- ▶ Akkuja ei saa säilyttää laturissa. Irrota akku laturista aina latauksen päätyttyä.
- ▶ Älä koskaan varastoi akkuja auringonpaisteessa, lämmönlähteen päällä tai ikkunan vieressä.
- ▶ Varastoi tuote ja akut lasten ja asiattomien henkilöiden ulottumattomissa.
- ▶ Tarkasta tuotteen ja akun mahdolliset vauriot aina ennen käyttöä sekä ennen pitkää varastointia ja sen jälkeen.

## 9 Apua häiriötilanteisiin

Kaikissa häiriötilanteissa tarkkaile lataustilan ja vikojen näytön merkkivaloja. Ks. kappale **Litiumioniakun merkkivalot**.

Häiriöissä, joita ei ole kuvattu tässä taulukossa tai joita et itse pysty poistamaan, ota yhteys **Hilti**-huoltoon.

Häiriö	Mahdollinen syy	Ratkaisu
Akku tyhjenee tavallista nopeammin.	Akun kunto ei optimaalinen.	▶ Tarkasta akun kunto.  65
Akku ei lukitu paikalleen selvästi naksauttaen.	Akun korvake likaantunut.	▶ Puhdista salpanokka ja kiinnitä akku uudelleen paikalleen.
LED-merkkivalot eivät näytä mitään.	Akku ei kunnolla kiinni.	▶ Kiinnitä akku siten, että se kuultavasti lukittuu paikalleen.
	Akku rikki.	▶ Ota yhteys <b>Hilti</b> -huoltoon.
Sahanterää ei saa irrotettua istukasta.	Lukitusvipu ei vasteeseen saakka painettuna.	▶ Kierrä lukitusvipu vasteeseen saakka ja irrota sahanterä.



Häiriö	Mahdollinen syy	Ratkaisu
Sahanterää ei saa irrotettua istukasta.	Istukka sahausjäänteiden tukkima.	► Poista sahausjäänteet ja puhdista istukka ulkopuolelta säännöllisesti. Tuotteen hoito.  68
Tuotteen teho heikko.	Käyttökytkin ei täysin pohjaan painettuna.	► Paina käyttökytkin täysin pohjaan.
	Akku tyhjentynyt.	► Vaihda akku ja lataa tyhjentynyt akku.
Sahanterää ei saa irrotettua istukasta.	Lukitusohlokkia ei ole kierretty vasteeseen saakka.	► Kierrä lukitsinohlokki vasteeseen saakka ja irrota sahanterä.

## 10 Hävittäminen

### VAARA

**Määräystenvastaisten hävittäminen aiheuttaa loukkaantumisvaaran!** Ulos vuotavat kaasut tai nesteet vaarantavat terveyden.

- Älä lähetä vaurioituneita akkuja!
- Peitä liitännät sähköä johtamattomalla materiaalilla oikosulkujen välttämiseksi.
- Hävitä akut siten, etteivät ne voi joutua lasten käsiin.
- Hävitä akku viemällä se **Hilti Store** -liikkeeseen tai käänny vastuullisen jätteenkäsittely-yrityksen puoleen.

**Hilti**-tuotteet on pääosin valmistettu kierrätyskelpoisista materiaaleista. Kierrätyksen edellytys on materiaalien asianmukainen lajittelu. Useissa maissa **Hilti** ottaa vanhat koneet ja laitteet vastaan kierrätystä ja hävitystä varten. Lisätietoja saat **Hilti**-huollosta tai -edustajalta.



- Älä hävitä sähkötyökaluja, elektronia laitteita ja akkuja tavallisen sekajätteen mukana!

## 11 Valmistajan myöntämä takuu

- Jos sinulla on takuuehtoihin liittyviä kysymyksiä, ota yhteys paikalliseen **Hilti**-edustajaan.

## 12 Lisätietoja



Lisätietoa käytöstä, tekniikasta, ympäristöstä ja kierrätyksestä saat seuraavan linkin kautta: [qr.hilti.com/manual/?id=2243480&id=2243482](http://qr.hilti.com/manual/?id=2243480&id=2243482)

Sama linkki on myös QR-koodina dokumentaation lopussa.



# Originaalkasutusjuhend

## 1 Andmed kasutusjuhendi kohta

### 1.1 Käesoleva käsitlemisjuhendi kohta

- **Hoiatus!** Enne toote kasutamist veenduge, et olete tootele lisatud kasutusjuhendi, sealhulgas juhised, ohutus- ja hoiatusviited, joonised ja spetsifikatsioonid, läbi lugenud ja sellest aru saanud. Tutvuge eriti kõigi juhiste, ohutus- ja hoiatusviidete, jooniste, spetsifikatsioonide ning komponentide ja funktsioonidega. Selle eiramisel esineb elektrilöögi, tulekahju ja/või raskete vigastuste oht. Hoidke kasutusjuhend koos kõigi juhiste, ohutus- ja hoiatusviidetega hilisemaks kasutamiseks alles.
- **HILTI** tooted on ette nähtud professionaalsele kasutajale ja neid tohivad käsitseda, hooldada ja korras hoida ainult volitatud ja asjaomase väljaõppega isikud. Nimetatud personal peab olema teadlik kõikidest kaasnevatest ohtudest. Seade ja sellega ühendatavad abivahendid võivad osutada ohtlikuks, kui neid ei kasutata nõuetekohaselt või kui nendega töötab vastava väljaõppeta isik.
- Lisatud kasutusjuhend vastab tehnika käesolevale tasemele trükki andmise ajal. Uusima versiooni leiate alati veebist Hilti toote leheküljelt. Järgige selleks sümboliga tähistatud linki või QR-koodi käesolevas kasutusjuhendis.
- Andke toode teistele edasi ainult koos käesoleva kasutusjuhendiga!

### 1.2 Märkide selgitus

#### 1.2.1 Hoiatused

Hoiatused annavad märku toote kasutamisel tekkivatest ohtudest. Kasutatakse järgmisi märksõnu:



**OHT!**

- ▶ Võimalikud ohtlikud olukorrad, mis võivad põhjustada kasutaja raskeid kehavigastusi või hukkamist.



**HOIATUS!**

- ▶ Võimalik ohtlik olukord, mis võib põhjustada kasutaja raskeid kehavigastusi või hukkamist.



**ETTEVAATUST!**

- ▶ Võimalikud ohtlikud olukorrad, mis võivad põhjustada kehavigastusi või varalist kahju.

#### 1.2.2 Sümbolid kasutusjuhendis

Käesolevas kasutusjuhendis kasutatakse järgmisi sümboleid:

	Järgige kasutusjuhendit
	Soovitused seadme kasutamiseks ja muu kasulik teave
	Taaskasutatavate materjalide käsitlemine
	Elektrilisi tööriistu ja akusid ei tohi visata olmejäätmete hulka
	<b>Hilti</b> Li-Ion-aku
	<b>Hilti</b> Laadimisseade

#### 1.2.3 Joonistel kasutatud sümbolid

Joonistel kasutatakse järgmisi sümboleid.

<b>2</b>	Numbrid viitavad vastavatele joonistele kasutusjuhendi juhendi alguses.
<b>3</b>	Numeratsioon kajastab tööetappide järjekorda pildi kujul ja võib tekstis kirjeldatud tööetappidest kõrvale kalduda.



<b>11</b>	Positsiooninumbreid kasutatakse joonisel <b>Ülevaade</b> ja need viitavad selgituste numbritele lõigus <b>Toote ülevaade</b> .
	See märk näitab, et toote käsitlemisel tuleb olla eriti tähelepanelik.

### 1.3 Tootest sõltuvad sümbolid

#### 1.3.1 Sümbolid tootel

Tootel võib kasutada alljärgnevat sümboleid:

RPM	Käiku minutis
$n_0$	Tühikäigusagedus
---	Alalisvool
	Toote toetab NFC-tehnoloogiat, mis ühildub iOS- ja Android-platvormidega.
Li-Ion	Liitumioonaku
	Ärge kasutage akut kunagi lõõgiriistana.
	Ärge laske akul kunagi maha kukkuda. Ärge kasutage akut, mis on saanud löögi või on muul moel kahjustatud.

## 2 Ohutus

### 2.1 Üldised ohutusnõuded elektriliste tööriistade kasutamisel

**⚠ HOIATUS! Lugege kõiki selle elektrilise tööriista juurde kuuluvaid ohutusjuhiseid, nõuandeid, jooniseid ja tehnilisi andmeid!** Järgmistest juhistest eiramise tagajärg võib olla elektrilöök, tulekahju ja/või rasked vigastused.

**Hoidke kõik ohutusnõuded ja juhised edaspidiseks kasutamiseks alles.**

Ohutusjuhistes kasutatud mõiste "elektriline tööriist" käib võrgutoitega (toitejuhtmega) elektriliste tööriistade või akutoitega (toitejuhtmeta) elektriliste tööriistade kohta.

#### Ohutus töökohal

- ▶ **Hoidke oma töökoht puhas ja valgustage seda korralikult.** Korrastamata ja valgustamata töökoht võib põhjustada õnnetusi.
- ▶ **Ärge kasutage elektrilist tööriista plahvatusohtlikus keskkonnas, kus leidub tuleohtlikke vedelikke, gaase või tolmu.** Elektrilistest tööriistadest lööb sädemeid, mis võivad tolmu või auru süüdata.
- ▶ **Hoidke lapsed ja kõik teised töökohast eemal, kui kasutate elektrilist tööriista!** Kui teie tähelepanu juhitakse kõrvale, võib seade teie kontrolli alt väljuda.

#### Elektriohutus

- ▶ **Elektrilise tööriista pistik peab sobima pistikupessa. Pistiku juures ei tohi teha mingeid muudatusi. Kaitsemaandusega seadmete puhul ei tohi kasutada adapterpistikuid.** Muutmata pistikud ja sobivad pistikupesad vähendavad elektrilöögiohtu.
- ▶ **Vältige keha kontakti maandatud pindadega (nt toru, radiaator, pliit, külmik).** Kui teie keha on maandatud, on elektrilöögi oht suurem.
- ▶ **Kaitske elektrilist tööriista vihma ja niiskuse eest.** Kui elektrilise tööriista sisemusse satub vett, suurendab see elektrilöögiohtu.
- ▶ **Ärge kasutage ühenduskaablit elektrilise tööriista kandmiseks, riputamiseks ega pistiku stepslist väljatõmbamiseks!** Hoidke ühenduskaablit eemal kuumusest, õlidest, teravatest servadest ja liikuvatest osadest. Kahjustatud või keerdu ühenduskaablid suurendavad elektrilöögiohtu.
- ▶ **Kui töotate elektrilise tööriistaga vabas õhus, kasutage ainult selliseid pikendusjuhtmeid, mida tohib kasutada ka välitingimustes.** Välitingimustesse sobiva pikendusjuhtme kasutamine vähendab elektrilöögiohtu.
- ▶ **Kui seadmega töötamine niiskes keskkonnas on vältimatu, kasutage rikkevoolu kaitselülitiit.** Rikkevoolu kaitselülitiit kasutamine vähendab elektrilöögiohtu.



## Inimeste ohutus

- ▶ **Olge tähelepanelik, jälgige, mida teete, ja toimige elektrilise tööriistaga töötades kaalutletult. Ärge töötage elektrilise tööriistaga, kui olete väsinud või alkoholi, narkootikumide või ravimite mõju all!** Hetkeline tähelepanematus elektrilise tööriista kasutamisel võib põhjustada raskeid kehavigastusi ja varalist kahju.
- ▶ **Kandke isiklikke kaitsevahendeid ja alati kaitseprille.** Isiklike kaitsevahendite, nt tolmu maski, libisemiskindlate turvajalatsite, kaitsekiivri või kuulmiskaitsevahendite kandmine (sõltuvalt elektrilise tööriista tüübist ja kasutusala) vähendab vigastusohtu.
- ▶ **Vältige elektrilise tööriista soovimatut käivitamist! Enne elektrilise tööriista ühendamist vooluvõrku ja/või elektrilise tööriista aku paigaldamist, tööriista ülestõstmist ja kandmist veenduge, et elektrilise tööriista on välja lülitatud!** Kui hoiate elektrilise tööriista kandmisel sõrme lülil või ühendate vooluvõrku sisselülitatud tööriista, võib juhtuda õnnetus.
- ▶ **Enne elektrilise tööriista sisselülitamist eemaldage selle küljest seade- ja mutrivõtmed.** Elektrilise tööriista pöörleva osa küljes olev seade- või mutrivõti võib põhjustada vigastusi.
- ▶ **Vältige ebataavalist töösandit! Võtke stabiilne töösand ja säilitage alati tasakaal.** Nii saate elektrilist tööriista ootamatutes olukordades paremini kontrollida.
- ▶ **Kandke sobivat rõivastust. Ärge kandke laiu riideid ega ehteid! Hoidke juuksed, rõivad ja kindad seadme liikuvatest osadest eemal.** Lotendavad riided, ehted ja pikad juuksed võivad sattuda seadme liikuvate osade vahele.
- ▶ **Kui elektrilise tööriista külge on võimalik paigaldada tolmueemaldus- ja kogumisseadiseid, veenduge, et need on tööriistaga ühendatud ja et neid kasutatakse nõuetekohaselt.** Tolmueemaldusseadise kasutamine võib vähendada tolmu st tngitud ohte.
- ▶ **Ärge laske tekkida petlikul turvatundel ega eirake elektrilise tööriista ohutusreegleid isegi siis, kui olete pärast paljukordset kasutamist elektrilise tööriistaga harjunud.** Tähelepanematu käsitsemine võib sekundi mürdosa jooksul kaasa tuua raskeid vigastusi.

## Elektrilise tööriista kasutamine ja käsitsemine

- ▶ **Ärge koormake seadet üle! Kasutage konkreetseks tööks sobivat elektrilist tööriista.** See töötab ettenähtud jõudluspiirides tõhusamalt ja ohutumalt.
- ▶ **Ärge kasutage elektrilist tööriista, mille lüliti on rikkis!** Elektriline tööriist, mida ei saa enam lülitist korralikult sisse ja välja lülitada, on ohtlik ning tuleb viia parandusse.
- ▶ **Tõmmake enne seadme mis tahes seadetöid, tarvikute vahetamist ja seadme hoiolepanekut pistikupesast välja ja/või eemaldage äravõetav aku.** See ettevaatusabinõu hoiab ära seadme soovimatu käivitumise.
- ▶ **Kasutusvälisel ajal hoidke elektrilist tööriista lastele kättesaamatus kohas. Ärge laske seadet kasutada isikutel, kes seadme tööpõhimõtet ei tunne või ei ole lugenud käesolevaid kasutusjuhendeid.** Asjatundmatute isikute käes on elektrilised tööriistad ohtlikud.
- ▶ **Hooldage elektrilisi tööriistu ja tarvikuid korralikult. Kontrollige, kas liikuvad osad töötavad veatult ega kiilu kiini. Veenduge, et seadme osad ei ole murdunud või kahjustatud määral, mis mõjutab seadme töökindlust. Laske kahjustatud osad enne seadme kasutamist parandada.** Ebapiisavalt hooldatud elektrilised tööriistad põhjustavad õnnetusi.
- ▶ **Hoidke lõiketarvikud teravad ja puhtad.** Hästi hooldatud, teravate lõikeservadega lõiketarvikud kiiluvad harvemini kinni ja neid on lihtsam juhtida.
- ▶ **Kasutage elektrilist tööriista, tarvikuid ja lisatarvikuid vastavalt nende juhiste. Arvestage seejuures töötingimuste ja tehtava töö iseloomuga.** Elektrilise tööriista kasutamine otstarbel, milleks see ei ole ette nähtud, võib põhjustada ohtlikke olukordi.
- ▶ **Käepidemed ja haardepinnad peavad olema kuivad, puhtad ning vabad õlist ja rasvast.** Libedad käepidemed ja haardepinnad ei võimalda elektrilist tööriista ootamatutes olukordades kindlalt käitseda ega kontrollida.

## Akuga tööriista kasutamine ja käsitsemine

- ▶ **Laadige akusid ainult tootja soovitatud laadimiseadmega.** Kui teatud tüüpi aku laadimiseks ettenähtud laadimiseadet kasutatakse teist tüüpi akude laadimiseks, tekib tulekahjuoht.
- ▶ **Kasutage elektrilistes tööriistades ainult ettenähtud akusid.** Teist tüüpi akude kasutamine võib põhjustada vigastus- ja põlenguohtu.
- ▶ **Hoidke akud kasutusvälisel ajal eemal kirjaklambritest, müntidest, võtmetest, naeltest, kruvidest ja teistest väikestest metallsemetest, mis võivad aku kontaktid omavahel ühendada.** Aku kontaktide vahel tekkiv lühis võib põhjustada põletuse või tulekahju.
- ▶ **Väärkasutuse korral võib akavedelik akust välja voolata. Vältige sellega kokkupuudet. Juhusliku kokkupuute korral loputage kahjustatud kohta veega. Kui vedelik satub silma, otsige ka arstiabi.** Väljavoolav akavedelik võib põhjustada nahaärritust või põletust.



- ▶ **Ärge kasutage kahjustatud ega modifitseeritud akut!** Kahjustatud või modifitseeritud akud võivad käituda ettenägematult ja põhjustada tulekahju, plahvatusi või vigastusohu.
- ▶ **Ärge laske akul kokku puutuda tule ega liiga kõrge temperatuuriga!** Tuli või temperatuur üle 130 °C (265 °F) võivad tekitada plahvatuse.
- ▶ **Järgige kõiki laadimisjuhiseid ja ärge kunagi laadige akut ega akutööriista väljaspool kasutusjuhendis näidatud temperatuurivahemikku.** Väär laadimine või laadimine väljaspool lubatud temperatuurivahemikku võib kahjustada akut ja suurendada tuleohtu.

#### Hooldus

- ▶ **Laske elektrilist tööriista parandada ainult kvalifitseeritud spetsialistidel, kes kasutavad originaalvaruosi.** Nii on tagatud elektrilise tööriista ohutu töö.
- ▶ **Ärge hooldage kahjustatud akut!** Akut võib hooldada ainult tootja või volitatud klienditeenindus.

## 2.2 Ohutusnõuded pendelliikumisega saekettaga saagimisel

- ▶ **Kui teete töid, mille puhul võib tarvik tabada varjatud elektrijuhtmeid, hoidke seadet isoleeritud haardepinnast.** Kokkupuude pingestatud elektrijuhtmega võib seada pinge alla ka seadme metalldetailid ja põhjustada elektrilöögi.
- ▶ **Kinnitage tarvik pitskruviga või muul viisil stabiilse aluspinnale külge.** Kui hoiate toorikut ainult käega või surute selle vastu oma keha, ei ole see kindlalt fikseeritud, mille tagajärjel võite kaotada seadme üle kontrolli.

## 2.3 Täiendavad ohutusnõuded

- ▶ Kasutage seadet ja lisatarvikuid ainult siis, kui nende tehniline seisukord on veatu.
- ▶ Ärge kunagi muutke ega modifitseerige seadet ega lisatarvikuid.
- ▶ Lihvimisel, lõikamisel ja puurimisel tekkiv tolm võib sisaldada ohtlikke kemikaale. Mõned näited: plii või pliipõhised värvid; tellis, betoon ja muu müüritis, looduskivi ja muud silikaati sisaldavad tooted; teatud tüüpi puit, näiteks tamm, pöök ja keemiliselt töödeldud puit; asbest või asbesti sisaldavad materjalid. Tehke kindlaks kasutaja ja teiste läheduses viibivate isikutega kokkupuute tase, arvestades töödeldavate materjalide ohuklassi. Võtke vajalikud meetmed, et hoida kokkupuude ohutul tasemel, nt kasutage tolmukogumissüsteemi või kandke sobivat hingamisteede kaitse maski. Kokkupuute vähendamise üldiste meetmete hulka kuuluvad:
  - ▶ töötamine hästi ventileeritud piirkonnast,
  - ▶ tolmuga pikaajalise kokkupuute vältimine,
  - ▶ tolmuaemalajuhtimine näost ja kehast,
  - ▶ kaitserõivaste kandmine ja nähtavate kohtade pesemine vee ja seebiga.
- ▶ Allakukkuvatest tarvikutest või lisaseadistest tingitud vigastuste oht. Enne töö alustamist veenduge, et paigaldatud tarvikud on kindlalt kinnitatud.
- ▶ Hoidke ventilatsioonivad alati vabad. Kinni kaetud ventilatsioonivadest tingitud põletusohu!
- ▶ Tehke tihti pause ja sirutage sõrmi, et parandada verevarustust. Pikemaajalisel töötamisel võib tugev vibratsioon tekitada häireid sõrmede, käte või randmeliigeste veresoonte ja närvisüsteemi toimimises.
- ▶ Ärge kinnitage toote külge karabiinikonksu.
- ▶ Ärge vaadake otse seadme valgusallikasse (LED) ja ärge suunake tuld teistele inimestele otse silma. Esineb pimestamise oht.
- ▶ Kasutaja ja läheduses viibivad isikud peavad seadme kasutamise ajal kandma sobivaid kaitseprille, kaitsekiivrit, kuulmiskaitsevahendeid, kaitsekindaid ja kergest hingamisteede kaitsemaski.
- ▶ Materjalist väljalendavad killud võivad tekitada keha- ja silmavigastusi. Kandke isikukaitsevahendeid ja alati kaitseprille ja kaitsekindaid.
- ▶ Tarviku vahetamisel kandke kaitsekindaid. Tarviku puudutamine võib tekitada löikehaavu ja põletusi.
- ▶ Ärge viige oma käsi saagimispiirkonda ega vastu saelehete! Hoidke toodet, toetades teise kätt mootori korpusele juhul, kui vajate lisatuge. Kui hoiate saagi kahe käega, siis jäävad teie käed terveks.
- ▶ Enne käestpanekut oodake, kuni seade on täielikult seiskunud.
- ▶ Ärge kasutage nürisid ega kahjustatud saekettaid! Need põhjustavad suurema hõõrdumise, kinnikiilumise või tagasilöögi.
- ▶ Kinnitage toorik stabiilsele aluspinnale. Ärge kunagi hoidke saetavat toorikut käes ega põlve peal!
- ▶ Lülitage seade sisse alles selle tööasendis.
- ▶ Juhtige töötamise ajal seade alati kehast eemale.
- ▶ Ärge viige käsi tooriku alla!
- ▶ Töötage mõõduka surve ja sobiva löikekiirusega, eelkõige suure läbimõõduga torude korral. See hoiab ära seadme ülekuumenemise.



- ▶ Kasutage alati piisava pikkusega saetera. Saetera peab ulatuma käigu vältel kogu aeg üle tooriku.
- ▶ Ärge kunagi lõigake tundmatut pinda, samuti veenduge, et lõikejoon oleks nii pealt kui ka alt takistusteta.
  - ▶ Vastu teist eset pörkuv saeketas võib põhjustada seadme tagasiviskumist.
- ▶ Seadke käsivarred asendisse, milles saate tagasilöögiõudele vastu astuda.
- ▶ Seade tuleb suruda survetallaga vastu töödeldavat toorikut. See tagab optimaalse ja ohutu töö.
- ▶ Seiske alati saetera suhtes küljega. Ärge jääge kehaga kunagi saeteraga ühele joonele! Tagasilöögi korral võib seade tahapoolse viskuda!
- ▶ Kui saetera kinni kiilub või katkestate töö, lülitage saag alati välja ja hoidke seda paigal seni, kuni saetera on täielikult seiskunud. Ärge kunagi püüdke pöörleva saeteraga saagi toorikust eemaldada või tagasi tõmmata – võib tekkida tagasilööki!
- ▶ Kui soovite tooriku sees oleva saeteraga saagi taaskäivitada, tsentreerige saetera lõikejälje sees ja veenduge, et saehambad ei ole toorikusse haakunud.
- ▶ Olge eriti ettevaatlik seinalõigetega tegemisel või teistesse varjatud piirkondadesse lõikamisel. Sukeldatav saetera võib varjatud esemetesse kinni kiiluda ja põhjustada tagasilööki.
- ▶ Seadme hoiulepanekul ja transportimisel aktiveerige transpordikaitse.
- ▶ Järgige tootja juhiseid saeketaste käsitsemise ja hoidmise kohta.
- ▶ Läbistavate tööde korral ümbritsege kaitsepiirdega töödeldava koha taha jääv ala.
- ▶ Veenduge enne töö alustamist, et tööpiirkonnas ei ole varjatult paigaldatud elektrikaableid ega gaasi- ja veetorustikke. Pingestatud elektrijuhtme, gaasi- või veetoru vigastamise korral võivad seadme välised metallalodad sattuda põhjustada plahvatusse või elektrilöögi.
- ▶ Hoidke torujuhtmete läbilõikamisel seadet lõigatavast torust kõrgemal.
  - ▶ Toode ei ole sissetungiva niiskuse eest kaitstud. Väljavoolav vedelik võib tekitada seadmel lühise.
- ▶ Enne torujuhtmete läbilõikamist, veenduge, et torud ei sisalda vedelikku. Vajaduse korral eemaldage vedelik.

## 2.4 Akude hoolikas käsitsemine ja kasutamine

- ▶ **Järgige liitiumioonakude ohutu käsitsemise ja kasutamise kohta esitatud juhiseid.** Eiramine võib tekitada nahaärrituse, söövituse, keemilise põletuse, tulekahju ja/või põhjustada plahvatusse.
- ▶ Kasutage akusid ainult siis, kui nende tehniline seisukord on veatu.
- ▶ Käsitlege akusid ettevaatlikult, et vältida kahjustusi ja tervist kahjustavate vedelike lekkimist!
- ▶ Akusid ei tohi mingil juhul muuta ega ümber ehitada!
- ▶ Akusid ei tohi lahti võtta, muljuda, kuumutada üle 80 °C (176 °F) ega ära põletada.
- ▶ Ärge kasutage ega laadige akusid, mis on saanud löögi või muul viisil kahjustada. Kontrollige regulaarselt akusid kahjustuste suhtes.
- ▶ Ärge kasutage kunagi ringlusse võetud või remonditud akusid.
- ▶ Ärge kunagi kasutage akut või akutoitega elektritööriista lõõgitarvikuna.
- ▶ Ärge jätke akut kunagi otsese päikesekiirguse, kuumuse, sädemete või lahtise leegi kätte. See võib põhjustada plahvatusse.
- ▶ Ärge puudutage aku pooluseid sõrmede, tööriistade, ehete või muude metallesemetega. See võib akut kahjustada, samuti tekitada varalist kahju ja kehavigastusi.
- ▶ Hoidke akusid eemal vihmast, niiskusest ja vedelikest. Sissetungiv niiskus võib põhjustada lühist, elektrilööki, põletust, tulekahju ja plahvatusi.
- ▶ Kasutage üksnes aku tüübile vastavaid laadijaid ja elektritööriistu. Juhendite asjaomastes kasutusjuhendites esitatud andmetest.
- ▶ Ärge kasutage ega hoiustage akut plahvatusohtlikus keskkonnas.
- ▶ Kui aku on nii kuum, et seda ei saa puudutada, võib aku olla defektne. Asetage aku nähtavasse tulekindlasse kohta, mis on süttivatest materjalidest piisavaltkaugel. Laske akul jahtuda. Kui aku on ühe tunni pärast ikka veel liiga kuum, et seda puudutada saaks, siis on aku defektne. Pöörduge **Hilti** hooldekeskusesse või lugege läbi dokument "Juhised **Hilti** liitiumioonakude ohutu käsitsemise ja kasutamise kohta".



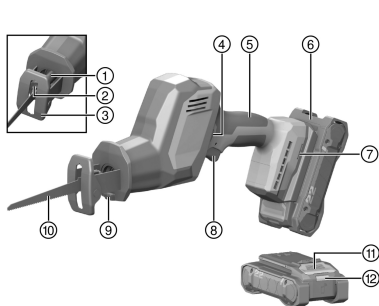
Järgige liitiumioonakude transpordi, ladustamise ja käsitsemise kohta esitatud erijuhiseid.

Lugege läbi **Hilti** liitiumioonakude ohutu käsitsemise ja kasutamise juhised, mis avanevad käesoleva kasutusjuhendi lõpus oleva QR-koodi skannimisel.



### 3 Kirjeldus

#### 3.1 Toote ülevaade



- ① Lukustushülss: saetera
- ② Tarvikukinnitus: saetera
- ③ Survetald
- ④ Transpordikaitse
- ⑤ Käepide
- ⑥ aku
- ⑦ Lisatarvikute paigaldamise ava
- ⑧ Juhtlüüti
- ⑨ Töökohta valgustav tuli (LED)
- ⑩ Saeketas
- ⑪ Aku vabastusnupp
- ⑫ Aku oleku indikaator

#### 3.2 Nõuetekohane kasutamine

Kirjeldatud toode on akutoitega saabelsaag. See on ette nähtud puidu, puidusarnaste materjalide, metallide, tellise ja plasti lõikamiseks.

Seade on ette nähtud käsitsemiseks ühe käega.

- Kasutage selle toote jaoks ainult **Hilti** Nuron B 22 seeria liitiumioonakusid. Optimaalse võimsuse tagamiseks soovib **Hilti** kasutada selle toote jaoks käesoleva kasutusjuhendi lõpus olevas tabelis nimetatud akusid.
- Kasutage nende akude laadimiseks ainult käesoleva kasutusjuhendi lõpus nimetatud seeriatesse kuuluvaid **Hilti** laadimiseseadmeid.

#### 3.3 Võimalik väärkasutus

- ▶ Ärge lõigake betooni, gaasbetooni, looduskivi ega keraamilisi plaate.
- ▶ Ärge lõigake seadmega torusid, milles on vedelikku.
- ▶ Ärge saagige tundmatuid pindu.

#### 3.4 Tarnekomplekt

Saabelsaag, kasutusjuhend.

Muud süsteemitooted leiata müügiesindusest **Hilti Store** või veebisaidilt: [www.hilti.group](http://www.hilti.group)

#### 3.5 Liitiumioonaku kuvamine

**Hilti** Nuron liitiumioonakud saavad näidata laetuse astet, anda veateateid ja näidata aku olekut.

##### 3.5.1 Laetuse astme ja veateadete kuvamine



#### HOIATUS

**Vigastuste oht allakukkuva aku tõttu!**

- ▶ Kui aku on paigaldatud, tehke vabastuslukule vajutamisega kindlaks, et aku on kasutatavas tootesse õigesti sisse pandud.

Selleks et kuvada ühte järgmistest näitudest, vajutage korraks aku vabastusnupule.

Laetuse astet ning võimalikke tõrkeid kuvatakse pidevalt seni, kuni ühendatud seade on sisse lülitatud.

Seisund	Tähendus
Neli (4) LED-tuld põlevad pideva rohelise tulega	Laetuse aste: 100 % kuni 71 %
Kolm (3) LED-tuld põlevad pideva rohelise tulega	Laetuse aste: 70 % kuni 51 %
Kaks (2) LED-tuld põlevad pideva rohelise tulega	Laetuse aste: 50 % kuni 26 %
Üks (1) LED-tuli põleb pideva rohelise tulega	Laetuse aste: 25 % kuni 10 %
Üks (1) LED-tuli vilgub aeglaselt rohelise tulega	Laetuse aste: < 10 %





Seisund	Tähendus
Üks (1) LED-tuli vilgub aeglaselt rohelise tulega	Liitiumioonaku on täielikult tühjenenud. Laadige akut. Kui LED-tuled pärast laadimist ikka veel kiiresti vilguvad, pöörduge <b>Hilti</b> hooldekeskusse.
Üks (1) LED-tuli vilgub kiiresti kollase tulega	Liitiumioonaku ja sellega ühendatud seade on üle koormatud, liiga külmad või liiga kuumad või on tegemist muu veaga. Viige seade ja aku soovitatud töötemperatuurile ja ärge avaldage tootele ülekoormust. Kui teade ei kao, pöörduge <b>Hilti</b> hooldekeskusse.
Üks (1) LED-tuli põleb kollase tulega	Liitiumioonaku ja sellega seotud toode ei ühildu. Palun pöörduge <b>Hilti</b> hooldekeskusse.
Üks (1) LED-tuli vilgub kiiresti punase tulega	Liitiumioonaku on lukustatud ja seda ei saa kasutada. Palun pöörduge <b>Hilti</b> hooldekeskusse.

### 3.5.2 Akude oleku kuvamine

Aku seisundi teadaasaamiseks hoidke vabastusklahvi all kauem kui kolm sekundit. Süsteem ei tuvasta võimalikku aku tõrget, mis on tingitud valest käsitsemisest, nt kukkumisest, torgetest, suurest kuumusest vm.

Seisund	Tähendus
Kõik LED-tuled süttivad pideva tulena ja seejärel põleb (1) LED-tuli pidevalt rohelise tulega.	Akut võib jätkuvalt kasutada.
Kõik LED-tuled süttivad pideva tulena (1) ja LED-tuli vilgub kiiresti kollase tulega.	Aku oleku kohta esitatud päringut ei saanud lõpetada. Korrake protsessi või pöörduge <b>Hilti</b> hooldekeskusse.
Kõik LED-tuled süttivad pideva tulena ja seejärel põleb (1) ja LED-tuli pideva punase tulega.	Kui ühendatud seadet saab jätkuvalt kasutada, on aku allesjäänud mahtuvus alla 50%. Kui ühendatud seadet ei saa enam kasutada, on aku kasutusressurs ammendunud ja aku tuleb välja vahetada. Palun pöörduge <b>Hilti</b> hooldekeskusse.

## 4 Tehnilised andmed

### 4.1 Saabelsaag

	SR 4-22
Tootepõlvkond	02
Nimipinge	21,6 V
Kaal vastavalt EPTA Procedure 01 ilma akuta	2 kg
Käigusagedus	0 p/min ... 3 000 p/min
Käigupikkus	23,2 mm
Võtmeta tarvikukinnitus standardsete tarvikute puhul	1/2 in
Hoiutemperatuur	-20 °C ... 70 °C
Ümbritseva keskkonna temperatuur töötamise ajal	-17 °C ... 60 °C

### 4.2 Aku

Aku tööpinge	21,6 V
Aku kaal	Vt kasutusjuhendi lõpp
Ümbritseva keskkonna temperatuur töötamise ajal	-17 °C ... 60 °C
Hoiutemperatuur	-20 °C ... 40 °C
Aku temperatuur laadimise alguses	-10 °C ... 45 °C



### 4.3 Teave müra ja vibratsiooni kohta

Käesolevas juhendis märgitud helirõhu- ja vibratsioonitase on mõõdetud standarditult mõõtemeetodil ja seda saab kasutada elektriliste tööriistade omavaheliseks võrdlemiseks. See sobib ka vibratsiooni- ja mürataseme esialgseks hindamiseks.

Toodud näitajad iseloomustavad elektrilise tööriista põhilisi ettenähtud töid. Kui aga elektrilist tööriista kasutatakse muul otstarbel, teiste tarvikutega või kui tööriista on ebapiisavalt hooldatud, võivad näitajad käesolevas juhendis toodud näitajatest kõrvale kalduda. See võib vibratsiooni- ja mürataset töötamise koguperioodil tunduvalt suurendada.

Müra- ja vibratsioonitaseme täpseks hindamiseks tuleb arvesse võtta ka aega, mil elektriline tööriist oli välja lülitatud või küll sisse lülitatud, kuid tegelikult tööle rakendamata. See võib vibratsiooni- ja mürataset töötamise koguperioodil tunduvalt vähendada.

Kasutaja kaitseks müra ja/või vibratsiooni eest võtke tarvitusele täiendavaid kaitsemeetmeid, näiteks: hooldage elektrilist tööriista ja tarvikuid korralikult, hoidke käed soojad, tagage sujuv töökorraldus.



Üksikasjalikku teavet standardite **EN 62841** siin kasutatud versioonide kohta leiab vastavusdeklaratsiooni koopialt 219.

#### Teave müra kohta

	SR 4-22
Helivõimsustase ( $L_{WA}$ )	95 dB(A)
Müravõimsustaseme mõõtemääramatus ( $K_{WA}$ )	5 dB(A)
Helirõhutase ( $L_{pA}$ )	87 dB(A)
Helirõhutaseme mõõtemääramatus ( $K_{pA}$ )	5 dB(A)

#### Teave vibratsiooni kohta

Vibratsioonitase laastplaatide saagimisel ( $a_{n,B}$ )	B 22-55	12,8 m/s <sup>2</sup>
	B 22-85	11,1 m/s <sup>2</sup>
Vibratsioonitase puitprusside saagimisel ( $a_{h,WB}$ )	B 22-55	11,5 m/s <sup>2</sup>
	B 22-85	12,2 m/s <sup>2</sup>
Mõõtemääramatus (K)		1,5 m/s <sup>2</sup>

## 5 Käsitsemine

### 5.1 Aku laadimine

1. Enne laadimist lugege laadimisseadme kasutusjuhendit.
2. Veenduge, et aku ja laadimisseadme kontaktid on puhtad ja kuivad.
3. Laadige akut selleks ettenähtud laadimisseadmega. 76

### 5.2 Aku paigaldamine

#### HOIATUS

**Vigastuste oht lühise või allakukkunud aku tõttu!**

- ▶ Enne aku paigaldamist veenduge, et aku ja seadme kontaktidel ei ole võõrkehaseid.
- ▶ Veenduge, et aku fikseerub alati korrektselt kohale.

1. Enne esmakordset kasutamist laadige aku täiesti täis.
2. Lükake aku seadmesse, kuni see kuuldavalt kohale fikseerub.
3. Kontrollige aku kindlat kinnitumist.

### 5.3 Aku eemaldamine

1. Vajutage aku vabastusnupule.
2. Tõmmake aku seadmest välja.



## 5.4 Lukustusklamber

### HOIATUS

**Vigastuste oht** tingitud allakukkuvast tööriistast ja/või tarvikust!

- ▶ Toote jaoks kasutage üksnes soovitatud **Hilti** tööriistarossi.
- ▶ Iga kord enne kasutamist kontrollige, et tarvikuhoidetrossi kinnituspunkt ei ole kahjustada saanud.

Järgige riigis kehtivaid eeskirju kõrgustes töötamise kohta.

Selle toote puhul kasutage kukkumiskaitsena vaid **Hilti** kukkumiskaitset #2293133 kombinatsioonis **Hilti** tööriistatrossiga #2261970.

- ▶ Kinnitage kukkumiskaitse lisatarviku paigaldusavadesse. Kontrollige kindlat kinnitumist.
- ▶ Kinnitage üks karabiinikonks tööriistatrossi külge ja teine karabiinikonks kandva konstruktsiooni külge. Kontrollige mõlema karabiinikonksu kindlat kinnitumist.

Järgige **Hilti** kukkumiskaitse ja **Hilti** tööriistatrossi kasutusjuhendeid.

## 5.5 Saelehe paigaldamine

Kasutage ainult 1/2"-sabaga saelehti.

1. Kontrollige, kas tarviku saba on puhas ja kergelt määritud. Vajaduse korral puhastage ja määrige seda.
2. Keerake tarvikukinnituse lukustushülssi vastupäeva ja hoidke seda all.
3. Suruge saeleht eest tarvikukinnitusse.
4. Laske lukustushülsil tagasi libiseda, kuni see kuuldavalt kohale fikseerub.
5. Tõmmake saelehest, et kontrollida, kas see on kindlalt kohale fikseerunud.

## 5.6 Saeketta eemaldamine

### ETTEVAATUST

**Vigastuste oht!** Tarvik võib olla kuum ja/või teravate servadega.

- ▶ Tarviku vahetamisel kandke kaitsekindaid.
  - ▶ Ärge asetage kuuma tarvikut tuleohtlikule aluspinnale.
1. Keerake tarvikukinnituse lukustushülssi vastupäeva ja hoidke seda all.
  2. Tõmmake saeketas suunaga ette, tarvikukinnitusest välja.
  3. Laske lukustushülsil tagasi libiseda.

## 6 Käsitsemine

Järgige kasutusjuhendis esitatud ja tootele märgitud ohutusnõudeid ja hoiatusi.

### 6.1 Saagimine

#### HOIATUS

**Järelepõrlevast saest tingitud vigastuste oht !**

- ▶ Tõstke seade toorikult alles siis, kui seade on täielikult seisunud.
  - ▶ Enne käestpanekut oodake, kuni tööriist on täielikult seisunud.
1. Inaktiveerige transpordikaitse ja vajutage juhtlülitile.
  2. Kui olete saagimise lõpetanud, vabastage juhtlülitit.
  3. Aktiveerige transpordikaitse.



## 7 Hooldus ja korrashoid

### HOIATUS

#### **Vigastuste oht paigaldatud aku korral !**

- ▶ Enne mis tahes hooldus- ja korrashoiutöid eemaldage seadmest aku!

#### **Toote hooldus**

- Kõvasti kinni olev mustus eemaldage ettevaatlikult.
- Ventilatsioonivahendid puhastage ettevaatlikult kuiva, pehme harjaga.
- Puhastage korpust ainult veidi niiske lapiga. Ärge kasutage silikooni sisaldavaid hooldusvahendeid, sest need võivad kahjustada seadme plastdetaili.
- Puhastage ja määrige tarvikukinnitus regulaarselt väljastpoolt. Selleks kasutage **Hilti** aerosooli 314648.
- Seadme kontaktide puhtastamiseks kasutage puhast kuiva lappi.

#### **Liitium-ionakude hooldus**

- Ärge kunagi kasutage akut, mille ventilatsioonivad on ummistunud. Puhastage ventilatsioonivahendid ettevaatlikult kuiva, pehme harjaga.
- Kaitske akut tolmu ja mustuse eest. Ärge jätke akut kunagi suure niiskuse kätte (ärge asetage seda vette ja ärge jätke vihma kätte).  
Kui aku on märjaks saanud, siis käsitlege seda nii, nagu oleks see kahjustatud. Isoleerige aku tulekindlas anumast ja pöörduge **Hilti** hooldekeskusesse.
- Hoidke aku puhas õlist ja rasvast. Vältige akusse asjatult tolmu ja mustuse kogunemist. Puhastage akut kuiva pehme harjaga või puhta kuiva lapiga. Ärge kasutage silikooni sisaldavaid hooldusvahendeid, sest need võivad kahjustada seadme plastdetaili.  
Ärge puudutage aku kontakte ja ärge eemaldage kontakte peale kantud mäaret.
- Puhastage korpust ainult veidi niiske lapiga. Ärge kasutage silikooni sisaldavaid hooldusvahendeid, sest need võivad kahjustada seadme plastdetaili.

#### **Korrashoid**

- Kontrollige regulaarselt, kas kõik nähtavad osad on terved ja juhtelemendid töötavad veatult.
- Ärge kasutage seadet kahjustuste ja/või tõrgete korral. Laske seade kohe parandada **Hilti** hooldekeskuses.
- Pärast hooldus- ja korrashoiutöid paigaldage kõik kaitseseadised ja kontrollige, kas need töötavad veatult.



Ohutu töö tagamiseks kasutage ainult originaalvaruosi ja -materjale. **Hilti** heakskiidetud varuosad, materjalid ja lisatarvikud oma tootele leiata müügiesindusest **Hilti Store** või veebilehelt: [www.hilti.group](http://www.hilti.group)

## 8 Transport ja hoiustamine

#### **Akuga tööriistade ja akude transport**

### ETTEVAATUST


#### **Soovimatut käivitamine transportimisel !**

- ▶ Transportige tooteid ilma akudeta!
- ▶ Eemaldage aku/akud.
- ▶ Ärge kunagi transportige akusid lahtiselt. Enne aku transportimist tuleb aku pakendada nii, et see oleks kaitsitud löökide ja vibratsiooni eest ning isoleeritud kõikidest elektrit juhtivatest materjalidest või teistest akudest, et vältida kokkupuudet teise aku poolustega ning lühise teket. **Järgige akude transpordi suhtes kehtivaid riigisiseid nõudeid.**
- ▶ Akusid ei tohi saata posti teel. Kahjustamata akude saatmiseks pöörduge logistikateetvõtja poole.
- ▶ Iga kord enne kasutamist ning enne ja pärast pikemat transporti või hoiustamist kontrollige seadet ja akusid vigastuste suhtes.

#### **Akuga tööriistade ja akude hoiustamine**

### HOIATUS

#### **Defektsete akude või lekkivate akude võivad tekitada vigastusi !**

- ▶ Kasutusvälisel ajal eemaldage seadmest aku!
- ▶ Hoidke seadet ja akusid jahedas ja kuivas kohas. Pidage kinni tehnilistes andmetes  77 toodud temperatuuripiirangutest.



- ▶ Ärge hoidke akusid laadimisseadmes. Pärast laadimist eemaldage aku laadimisseadmest.
- ▶ Ärge hoidke akusid päikese käes, radiaatori peal või klaasi taga.
- ▶ Hoidke seadet ja akusid lastele ja kõrvalistele isikutele ligipääsmatus kohas.
- ▶ Iga kord enne kasutamist ning enne ja pärast pikemaajalist seismist kontrollige seadet ja akusid kahjustuste suhtes.

## 9 Abi tõrgete puhul

Kõikide tõrgete puhul pöörake tähelepanu aku laetuse astme ja tõrgete indikaatoritele. Vt ptk **Li-Ion-aku laetuse näidud**.

Kui peaks esinema tõrge, mida ei ole järgmises tabelis nimetatud või mida Te ei suuda ise kõrvaldada, pöörduge **Hilti** hooldekeskusse.

Tõrge	Võimalik põhjus	Lahendus
Aku tühjeneb tavalisest kiiremini.	Aku seisund ei ole optimaalne.	▶ Tehke kindlaks aku olek.  76
Aku ei fikseeru kuuldava klõpsuga kohale.	Aku fiksaatorid on määrdunud.	▶ Puhastage fiksaatorid ja paigaldage aku uuesti.
LED-tuled on kustunud.	Aku ei ole korrektselt sisestatud.	▶ Laske akul kuuldava klõpsuga paika fikseeruda.
	Aku on defektne.	▶ Pöörduge <b>Hilti</b> hooldekeskusse.
Saelehte ei saa tarviku kinnitusest eemaldada.	Lukustushoob ei ole lõpuni sisse vajutatud.	▶ Keerake lukustushoob lõpuni ja võtke saeleht välja.
	Saepuru on tarviku kinnituse ummistanud.	▶ Eemaldage saepuru ja puhastage tarviku kinnitust regulaarselt väljastpoolt. Seadme hooldus.  80
Seade ei tööta täisvõimsusel.	Toitelüliti ei ole lõpuni sisse vajutatud.	▶ Vajutage juhtlülitit lõpuni alla.
	Aku on tühi.	▶ Vahetage aku välja ja laadige tühi aku täis.
Saelehte ei saa tarviku kinnitusest eemaldada.	Lukustushülss ei ole keeratud lõpuni.	▶ Keerake lukustushülss lõpuni ja võtke saeleht välja.

## 10 Utiliseerimine

### HOIATUS

**Valest käitlemisest tingitud vigastuste oht!** Eralduvad gaasid või vedelikud on terviseohtlikud.

- ▶ Ärge saatke kahjustada saanud akusid posti teel!
- ▶ Lühise vältimiseks katke akukontaktid elektrit mittejuhtiva materjaliga.
- ▶ Käidelge akusid nii, et need ei satu laste kätte.
- ▶ Utiliseerige aku **Hilti Store** esinduses või pöörduge asjaomase jäätmekäitlusettevõtte poole.

Enamik **Hilti** seadmete valmistamisel kasutatud materjalidest on taaskasutatavad. Taaskasutuse eelduseks on materjalide korralik sorteerimine. Paljudes riikides kogub **Hilti** kasutusressursi ammendanud seadmed kokku. Lisateavet saate **Hilti** müügiesindusest.



- ▶ Ärge visake kasutusressursi ammendanud elektrilisi tööriistu, elektroonikaseadmeid ja akusid olmejäätmete hulka!

## 11 Tootja garantii

- ▶ Garantiitingimusi puudutavates küsimustes pöörduge oma kohaliku **Hilti** partneri poole.





Lisateavet kāsītsemise, tehnika, keskkonna ja ūbertōōtluse kohta leiate lingilt:  
[qr.hilti.com/manual/?id=2243480&id=2243482](http://qr.hilti.com/manual/?id=2243480&id=2243482)

See link sisaldub ka kāesoleva kasutusjuhendi lõpus QR-koodina.

## Originālā lietošanas instrukcija

### 1 Informācija par lietošanas instrukciju

#### 1.1 Par šo lietošanas instrukciju

- **Brīdinājums!** Pirms sākt izstrādājuma lietošanu, pārliecinieties, ka ir izlasīta un saprasta izstrādājumam pievienotā lietošanas instrukcija, ieskaitot pamācības, drošības norādījumus un brīdinājumus, attēlus un specifikācijas. Īpaši rūpīgi iepazīstieties ar pamācībām, drošības norādījumiem un brīdinājumiem, attēliem un specifikācijām, kā arī sastāvdaļām un funkcijām. Neievērošanas gadījumā pastāv elektriskās strāvas trieciena, aizdegšanās un/vai smagu traumu risks. Rūpīgi uzglabājiet lietošanas instrukciju, ieskaitot visas pamācības, drošības norādījumus un brīdinājumus, turpmāki izmantošanai.
- **HILTI** izstrādājumi ir paredzēti profesionāliem lietotājiem, un to darbināšanu, apkopi un tehniskā stāvokļa uzturēšanu drīkst veikt tikai kvalificēts, atbilstīgi apmācīts personāls. Personālam ir jābūt labi informētam par iespējamajiem riskiem, kas var rasties darba laikā. Izstrādājums un tā papildaprīkojums var radīt bīstamas situācijas, ja to uztic neprofesionālam personālam vai nelieto atbilstīgi nosacījumiem.
- Pievienotā lietošanas instrukcija atbilst aktuālajam tehnikas attīstības līmenim tās sagatavošanas brīdī.. Aktuālā versija vienmēr ir pieejama tiešsaistē, Hilti izstrādājumu lapā. Lai tai piekļūtu izmantojiet šajā lietošanas instrukcijā iekļauto saiti vai kvadrāt kodu, kas apzīmēts ar simbolu 📄.
- Vienmēr pievienojiet lietošanas instrukciju izstrādājumam, ja tas tiek nodots citai personai.

#### 1.2 Apzīmējumu skaidrojums

##### 1.2.1 Brīdinājumi

Brīdinājumi pievērš uzmanību bīstamībai, kas pastāv, strādājot ar izstrādājumu. Tiek lietoti šādi signālvārdi:

**BĪSTAMI!**

**BĪSTAMI!**

- ▶ Pievērš uzmanību draudošām briesmām, kas var izraisīt smagus miesas bojājumus vai nāvi.

**BRĪDINĀJUMS!**

**BRĪDINĀJUMS!**

- ▶ Pievērš uzmanību iespējamam apdraudējumam, kas var izraisīt smagas traumas vai pat nāvi.

**IEVĒROT PIESARDZĪBU!**

**UZMANĪBU!**

- ▶ Norāda uz iespējami bīstamām situācijām, kas var izraisīt traumas vai materiālos zaudējumus.



### 1.2.2 Simboli lietošanas instrukcijā

Šajā lietošanas instrukcijā tiek izmantoti šādi simboli:

	Ievērojiet lietošanas instrukciju
	Norādījumi par lietošanu un cita noderīga informācija
	Rīcība ar otrreiz pārstrādājamiem materiāliem
	Neizmetiet elektroiekārtas un akumulatorus sadzīves atkritumos.
	<b>Hilti</b> Litija jonu akumulators
	<b>Hilti</b> Lādētājs

### 1.2.3 Attēlos lietotie simboli

Attēlos tiek lietoti šādi simboli:

	Šie skaitļi norāda uz attiecīgajiem attēliem, kas atrodami šīs lietošanas instrukcijas sākumā.
3	Numerācija attēlos atbilst veicamo darbību secībai un var atšķirties no darbību apraksta tekstā.
	Pozīciju numuri tiek lietoti attēlā <b>Pārskats</b> un norāda uz leģendas numuriem sadaļā <b>Izstrādājuma pārskats</b> .
	Šī simbola uzdevums ir pievērst īpašu uzmanību izstrādājuma lietošanas laikā.

## 1.3 Simboli atkarībā no izstrādājuma

### 1.3.1 Simboli uz izstrādājuma

Uz izstrādājuma var tikt lietoti šādi simboli:

RPM	Gājienu skaits minūtē
$n_0$	Gājienu skaits tukšgaitā
	Līdzstrāva
	Izstrādājums atbalsta tehnoloģiju NFC, kas ir saderīga ar iOS un Android platformām.
Li-Ion	Litija jonu akumulators
	Nekādā gadījumā nelietojiet akumulatoru kā triecieninstrumentu.
	Sargājiet akumulatoru no kritieniem. Nelietojiet akumulatoru, ja tas ir bijis pakļauts triecienam vai tam ir radušies cita veida bojājumi.

## 2 Drošība

### 2.1 Vispārīgi drošības norādījumi par darbu ar elektroiekārtām

**⚠ BRĪDINĀJUMS!** Iepazīstieties ar visiem drošības norādījumiem, instrukcijām, attēliem un tehniskajiem parametriem, kas attiecas uz šo elektroiekārtu. Turpmāk izklāstīto instrukciju neievērošana var izraisīt elektrošoku, ugunsgrēku un/vai nopietnas traumas.

**Saglabājiet visus drošības norādījumus un instrukcijas turpmākai lietošanai.**

Drošības norādījumos lietotais apzīmējums "elektroiekārta" attiecas uz iekārtām ar tīkla barošanu (ar barošanas kabeli) vai iekārtām ar barošanu no akumulatora (bez kabeļa).

#### Drošība darba vietā

- **Uzturiet darba vietā tīrību un kārtību un nodrošiniet labu apgaismojumu.** Nekārtīgā darba vietā vai sliktā apgaismojumā var viegli notikt nelaimes gadījums.



- ▶ **Nestrādājiet ar elektroiekārtu sprādzienbīstamā vidē, kur atrodas uzliesmojoši šķidrumi, gāzes vai putekļi.** Darbības laikā elektroiekārtas mēdz dzirkstēt, un tas var izraisīt viegli uzliesmojošu putekļu vai tvaiku aizdegšanos.
- ▶ **Lietojot elektroiekārtu, neļaujiet nepiederošām personām un jo īpaši bērniem tuvoties darba vietai.** Citu personu klātbūtne var novērst uzmanību, un tā rezultātā jūs varat zaudēt kontroli pār iekārtu.

### Elektrodrošība

- ▶ **Elektroiekārtas kontaktdakšai jāatbilst elektrotīkla kontaktligzdai. Kontaktdakšas konstrukciju nedrīkst nekādā veidā mainīt. Kopā ar elektroiekārtām, kurām ir aizsargzemējums, nedrīkst lietot adapteru spraudņus.** Neizmainītas konstrukcijas kontaktdakša, kas atbilst kontaktligzdai, ļauj samazināt elektrošoka risku.
- ▶ **Darba laikā nepieskarieties saņemtiem priekšmetiem, piemēram, caurulēm, radiatoriem, plītnim vai ledusskapjiem.** Pieskaroties saņemtiem virsmām, pieaug risks saņemt elektrisko triecienu.
- ▶ **Nelietojiet elektroiekārtu lietus laikā, neturiet to mitrumā.** Mitrumam iekļūstot elektroiekārtā, pieaug risks saņemt elektrisko triecienu.
- ▶ **Nenesiet un nepakariniet elektroiekārtu aiz barošanas kabeļa un neraujiet aiz kabeļa, ja vēlaties atvienot iekārtu no elektrotīkla kontaktligzdas. Sargājiet barošanas kabeli no karstuma, eļļas, asām šķautnēm vai kustīgām detaļām.** Bojāts vai sapīņķerējis barošanas kabelis var kļūt par cēloni elektrošokam.
- ▶ **Darbinot elektroiekārtu ārpus telpām, izmantojiet tās pievienošanai vienīgi tādas pagarinātāja-kabeļus, kas ir paredzēti lietošanai brīvā dabā.** Lietojot elektrokabeļi, kas ir piemērots darbam ārpus telpām, samazinās elektrošoka risks.
- ▶ **Ja elektroiekārtas izmantošana slapjā vidē ir obligāti nepieciešama, lietojiet bojājumstrāvas aizsargslēdzi.** Bojājumstrāvas aizsargslēdža lietošana samazina elektrošoka risku.

### Personiskā drošība

- ▶ **Strādājiet ar elektroiekārtu uzmanīgi, darba laikā saglabājiet paškontroli un rīkojieties saskaņā ar veselo saprātu. Ar elektroiekārtu nedrīkst strādāt personas, kas ir nogurušas vai atrodas narkotiku, alkohola vai medikamentu ietekmē.** Mirkļis neuzmanības, strādājot ar elektroiekārtu, var novest pie nopietnām traumām.
- ▶ **Izmantojiet individuālos aizsardzības līdzekļus un darba laikā vienmēr valkājiet aizsargbrilles.** Individuālo aizsardzības līdzekļu (putekļu aizsargmaskas, neslidošu apavu un aizsargķiveres vai ausu aizsargu) lietošana atbilstoši elektroiekārtas tipam un veicamā darba raksturam ļauj izvairīties no savainojumiem.
- ▶ **Nepieļaujiet iekārtas nekontrolētas ieslēgšanās iespēju. Pirms pievienošanas elektrotīklam, akumulatora ievietošanas, elektroiekārtas satveršanas vai pārvietošanas pārliecinieties, ka tā ir izslēgta.** Ja iekārtas pārvietošanas laikā pirksts atrodas uz slēdža vai ja ieslēgta iekārta tiek pievienota elektrotīklam, var notikt nelaimes gadījums.
- ▶ **Pirms elektroiekārtas ieslēgšanas jānoņem visi regulēšanas piederumi un uzgriežņu atslēgas.** Regulēšanas piederumi vai uzgriežņu atslēga, kas iekārtas ieslēgšanas brīdī atrodas iekārtā, var radīt traumas.
- ▶ **Izvairieties no nedabiskām pozām. Darba laikā vienmēr saglabājiet līdzsvaru un nodrošinieties pret paslīdēšanu.** Tas atvieglos elektroiekārtas vadību neparedzētās situācijās.
- ▶ **Izvēlieties darbam piemērotu apģērbu. Darba laikā nenēsājiet brīvi plandošas drēbes un rotaslietas. Netuviniet matus, apģērbu un aizsargcimdus iekārtas kustīgajām daļām.** Vaļīgas drēbes, rotaslietas un gari mati var iekerties iekārtas kustīgajās daļās.
- ▶ **Ja elektroiekārtas konstrukcija ļauj pievienot putekļu nosūksanas vai savākšanas ierīci, sekojiet, lai tā būtu pievienota un tiktu darbināta pareizi.** Putekļu nosūcēja lietošana samazina putekļu kaitīgo ietekmi.
- ▶ **Nezaudējiet modrību un neatkāpieties no elektroiekārtu lietošanas drošības noteikumu ievērošanas arī tad, ja lietojat attiecīgo elektroiekārtu bieži un kārtīgi to pārzināt.** Neuzmanība vienā sekundes daļā var novest pie smagām traumām.

### Elektroiekārtas lietošana un apkope

- ▶ **Nepārslogojiet elektroiekārtu. Katram darbam izvēlieties piemērotu iekārtu.** Elektroiekārta darbosies labāk un drošāk pie nominālās slodzes.
- ▶ **Nelietojiet elektroiekārtu, ja ir bojāts tās slēdzis.** Elektroiekārta, ko nevar ieslēgt un izslēgt, ir bīstama un nekavējoties jānodod remontā.
- ▶ **Pirms iestatījumu veikšanas, aprīkojuma daļu nomainas vai iekārtas novietošanas uzglabāšanā atvienojiet kontaktdakšu no elektrotīkla un/vai noņemiet noņemamo akumulatoru.** Šādi jūs novērsīsiet elektroiekārtas nejaūšas ieslēgšanās risku.





- ▶ **Elektroiekārtu, kas netiek darbināta, uzglabājiet piemērotā vietā. Neļaujiet lietot iekārtu personām, kas nav iepazīnušas ar tās funkcijām un izlasījušas šo lietošanas instrukciju.** Ja elektroiekārtu lieto nekompententas personas, tas var apdraudēt cilvēku veselību.
- ▶ **Rūpīgi veiciet elektroiekārtu un to piederumu apkopi.** Pārbaudiet, vai kustīgās daļas darbojas bez traucējumiem un neķeras un vai kāda no daļām nav salauzta vai bojāta un tādējādi netraucē elektroiekārtas nevainojamu darbību. **Raugieties, lai pirms iekārtas lietošanas tiktu nomainītas vai saremontētas bojātās daļas.** Daudzi nelaimes gadījumi notiek tāpēc, ka elektroiekārtām nav nodrošināta pareiza apkope.
- ▶ **Griezējinstrumentiem vienmēr jābūt uzasinātiem un tīriem.** Rūpīgi kopti griezējinstrumenti ar asām šķautnēm retāk iestrēgst un ir vieglāk vadāmi.
- ▶ **Lietojiet elektroiekārtu, piederumus, maināmās instrumentus utt. saskaņā ar šiem norādījumiem. Jāņem vērā arī konkrētie darba apstākļi un veicamās operācijas īpatnības.** Elektroiekārtu lietošana citiem mērķiem, nekā to ir paredzējusi ražotājfirma, ir bīstama un var izraisīt neparedzamas sekas.
- ▶ **Raugieties, lai rokturu un satveršanas virsmas būtu sausas, tīras, nenotraipītas ar eļļu un smērvielām.** Ja rokturu vai satveršanas virsmas ir slidenas, nav iespējama droša elektroiekārtas vadība un kontrole neparedzamās situācijās.

#### Ar akumulatoru darbināmas iekārtas lietošana un apkope

- ▶ **Akumulatora uzlādei jālieto tikai ražotāja ieteiktie lādētāji.** Noteikta veida akumulatoriem paredzēts lādētājs kļūst ugunsbīstams, ja to izmanto ar cita veida akumulatoriem.
- ▶ **Izmantojiet elektroiekārtas barošanai tikai tai paredzētos akumulatorus.** Cita tipa akumulatoru lietošana var izraisīt iekārtas un/vai akumulatora aizdegšanos.
- ▶ **Laikā, kad akumulators ir atvienots no iekārtas, nepieļaujiet tā kontaktu saskaršanos ar saspriedēm, monētām, atslēgām, naglām, skrūvēm vai citiem nelieliem metāla priekšmetiem, kas varētu izraisīt īssavienojumu.** Ja starp akumulatora kontaktiem rodas īssavienojums, tas var sadegt vai kļūt par ugunsgrēka cēloni.
- ▶ **Nepareizi lietojot akumulatoru, no tā var izplūst šķidrums. Nepieļaujiet tā nokļūšanu uz ādas. Ja tas tomēr jaušai ir noticis, noskalojiet ar ūdeni. Ja šķidrums iekļūst acīs, izskalojiet acis un nekavējoties vērsieties pie ārsta.** No akumulatora izplūdušais šķidrums var izraisīt ādas kairinājumu vai apdegumus.
- ▶ **Nelietojiet bojātus vai modificētus akumulatorus.** Bojāti vai modificēti akumulatori var radīt neparedzamas situācijas un izraisīt ugunsgrēku, eksploziju vai traumas.
- ▶ **Nepakļaujiet akumulatoru uguns vai augstas temperatūras iedarbībai.** Uguns vai temperatūra virs 130 °C (265 °F) var izraisīt eksploziju.
- ▶ **Ievērojiet norādījumus par akumulatora lādēšanu un nekad nelādējiet akumulatoru vai ar akumulatoru darbināmo iekārtu ārpus lietošanas instrukcijā norādītā temperatūras diapazona.** Nepareiza lādēšana vai pieļaujamā temperatūras diapazona pārsniegšana var sabojāt akumulatoru un palielināt aizdegšanās risku.

#### Service

- ▶ **Uzdodiet elektroiekārtas remontu veikt tikai kvalificētam personālam, kas izmanto vienīgi oriģinālās rezerves daļas.** Tikai tā ir iespējams saglabāt iekārtas funkcionālo drošību.
- ▶ **Nekādā gadījumā neveiciet bojātu akumulatoru apkopi.** Jebkādus akumulatoru apkopes darbus drīkst veikt tikai ražotājs vai atbilstīgi pilnvarots klientu apkalpošanas dienests.

### 2.2 Papildu drošības norādījumi par zāģēšanu ar asmens turpgaitas un atpakaļgaitas kustībām

- ▶ **Ja darba laikā pastāv iespēja, ka elektroiekārtā nostiprinātais instruments var nonākt saskarē ar apslēptiem elektriskajiem vadiem, vienmēr satveriet iekārtu aiz izolētajām rokturu virsmām.** Saskaņoties ar spriegumam pieslēgtiem vadiem, spriegums tiek novadīts uz iekārtas metāla daļām, radot elektrošoka risku.
- ▶ **Nofiksējiet un nodrošiniet apstrādājamo priekšmetu ar skrūvspiļu palīdzību vai citā veidā uz stabilas pamatnes.** Ja jūs turat apstrādājamo priekšmetu ar roku vai piespiestu ķermenim, tas ir nestabils un var izraisīt kontroles zudumu.

### 2.3 Papildnorādījumi par drošību

- ▶ Lietojiet izstrādājumu un tā papildaprīkojumu tikai tad, ja tas ir nevainojamā stāvoklī.
- ▶ Nekādā gadījumā nemēģiniet ietekmēt izstrādājuma vai tā papildaprīkojuma funkcijas vai to pārveidot.



- ▶ Putekļi, kas rodas slīpēšanas, griešanas un urbšanas laikā, var saturēt bīstamas ķīmikālijas. Daži piemēri: svins vai krāsas uz svina bāzes; ķieģeļi, betons un citi mūra materiāli, dabīgais akmens un citi silīkāts saturoši produkti; noteiktu veidu koksne, piemēram, skābardis, ozols un ķīmiska apstrādāta koksne; azbests vai azbestu saturoši materiāli. Nosakiet ekspozīcijas līmeni, kam pakļauts iekārtas lietotājs un tuvumā esošās personas, vadoties pēc apstrādājamo materiālu bīstamības kategorijas. Veiciet nepieciešamos pasākumus, lai ekspozīcija nesasniegtu kaitīgu līmeni, piemēram, lietojiet putekļu nosūkšanas sistēmu vai piemērotus elpceļu aizsardzības līdzekļus. Vispārīgie ekspozīcijas ierobežošanas pasākumi ir šādi:
  - ▶ darbs labi vēdināmās vietās,
  - ▶ izvairīšanās no ilgstošas saskares ar putekļiem,
  - ▶ putekļu novirzīšana projām no sejas un ķermeņa,
  - ▶ aizsargapģērba valkāšana un savārtītā apģērba mazgāšana ar ūdeni un ziepēm.
- ▶ Traumu risks, ko rada krītoši instrumenti un/vai piederumi. Pirms darba sākšanas pārbaudiet, vai piemontētie piederumi ir droši nostiprināti.
- ▶ Vienmēr raugieties, lai nebūtu nosprostotas ventilācijas atveres. Ventilācijas atveru nosprostošanās var izraisīt apdegumus!
- ▶ Biežāk pārtrauciet darbu un izpildiet pirkstu vingrinājumus, kas uzlabo asinsriti. Ilgstoša darba gadījumā spēcīga vibrācija var radīt traucējumus pirkstu, roku vai plaukstu locītavu asinsvadu un nervu sistēmas funkcijās.
- ▶ Nenostipriniet pie šī izstrādājuma jostas āķi.
- ▶ Neskatieties tieši izstrādājuma apgaismojumā (LED) un nevērsiet to pret citu cilvēku seju. Pastāv apžībināšanas risks.
- ▶ Lietotājam un citām personām, kas uzturas izstrādājuma lietošanas vietas tuvumā, jāvalkā piemēroti acu aizsarglīdzekļi, aizsargķivere, dzirdes aizsarglīdzekļi, aizsargcimdi un viegli elpceļu aizsarglīdzekļi.
- ▶ Materiāla šķembas var savainot ķermeni un acis. Izmantojiet individuālos aizsarglīdzekļus un vienmēr valkājiet acu aizsarglīdzekļus un aizsargcimdus.
- ▶ Instrumenta nomaiņas laikā valkājiet aizsargcimdus. Saskare ar maināmo instrumentu var izraisīt grieztas traumas un apdegumus.
- ▶ Raugieties, lai jūsu rokas neatrastos zāģēšanas zonā vai zāģa asmens tiešā tuvumā. Ja nepieciešams atbalsts, ar otru roku turiet izstrādājumu aiz motora korpusa. Ja abas rokas ir satvērušas zāģi, tās nav iespējams savainot ar zāģa asmeni.
- ▶ Pirms novietot izstrādājumu, nogaidiet, līdz pilnībā apstājas tā kustība.
- ▶ Nedrīkst izmantot neasus vai bojātus zāģa asmeņus. Tas palielina berzi, kā arī var izraisīt asmens iestrēgšanu vai atsitienu.
- ▶ Nofiksējiet apstrādājamo materiālu stabilā stiprinājumā. Nekādā gadījumā nemēģiniet pieturēt apstrādājamo materiālu ar roku vai kāju.
- ▶ Ieslēdziet iekārtu tikai tad, kad tā atrodas darba pozīcijā.
- ▶ Darba laikā vienmēr virziet izstrādājumu prom no sava ķermeņa.
- ▶ Nesatveriet zāģējamo materiālu no apakšas.
- ▶ Strādājiet ar mērenu piespiešanas spēku un piemērotu zāģa kustības ātrumu, jo īpaši tad, ja zāģējamām caurulēm ir liels diametrs. Tas ļaus novērst izstrādājuma pārkaršanu.
- ▶ Vienmēr lietojiet atbilstīga garuma zāģa asmeni. Zāģa asmenim visa gājiena laikā jābūt izvīzītam ārpus zāģējamā materiāla.
- ▶ Nekad neveiciet zāģējumus nezināmās virsmās un nodrošiniet, lai zāģējuma trajektorijā ne augšpusē, ne apakšpusē neatrastos nekādi šķēršļi.
  - ▶ Ja zāģa asmens atduras pret kādu priekšmetu, tas var izraisīt izstrādājuma atsitienu.
- ▶ Novietojiet rokas tādā stāvoklī, lai varētu pretoties atsitienu spēkam.
- ▶ Iekārta ar piespiedējkurpi jāpiespiež pie zāģējamā materiāla. Tādējādi tiek nodrošināts optimāls un drošs darba process.
- ▶ Vienmēr nostājieties nedaudz uz sāniem no zāģa – tā, lai zāģa asmens neatrastos uz vienas līnijas ar jūsu ķermeni. Atsitienu gadījumā zāģis var atlēkt atpakaļ.
- ▶ Ja zāģa asmens iestrēgst vai darbu nepieciešams pārtraukt citu iemeslu dēļ, izslēdziet zāģi, turiet to mierīgi un nogaidiet, līdz zāģa asmens kustība apstājas. Nekādā gadījumā nemēģiniet izvilk zāģi no materiāla vai pavilkt atpakaļ, kamēr zāģa asmens atrodas kustībā, jo tas var izraisīt atsitienu kustību.
- ▶ Ja vēlaties no jauna ieslēgt zāģi, kura asmens atrodas materiālā, nocentrējiet zāģa asmeni zāģējuma rievā un pārbaudiet, vai zāģa zobi nav iekūrušies materiālā.
- ▶ Ievērojiet īpašu piesardzību, veicot zāģējumus sienās un citās nepārdzīvējamās vietās. Iegremdētais zāģa asmens var atdurties pret sienā esošiem objektiem un izraisīt atsitienu.
- ▶ Pirms izstrādājuma novietošanas glabāšanā vai transportēšanas aktivējiet transporta drošinātāju.



- ▶ Ievērojiet ražotāja norādījumus par zāģa asmeņu lietošanu un uzglabāšanu.
- ▶ Pirms laušanas vai urbšanas darbiem, kas šķērso būvkonstrukciju daļas, atbilstoši jānodrošina attiecīgās daļas pretējā puse.
- ▶ Pirms darba sākšanas pārbaudiet, vai darba zonā neatrodas neseģti elektrības vadi, gāzes vai ūdensapgādes caurules. Iekārtas ārējās metāla daļas var izraisīt elektriskās strāvas triecienu vai izraisīt eksploziju, ja darba laikā tiek bojāti elektriskie vadi, gāzes vai ūdens caurules.
- ▶ Cauruļvadu pārzāģēšanas laikā turiet izstrādājumu augstāk par zāģējamo cauruļvadu.
  - ▶ Izstrādājums nav aizsargāts pret mitruma iekļūšanu. Šķidrums ieplūšana izstrādājumā var izraisīt īssavienojumu.
- ▶ Pirms cauruļvadu pārzāģēšanas pārliecinieties, ka tajos vairs neatrodas nekādi šķidrumi. Ja nepieciešams, iztukšojiet tos.

## 2.4 Akumulatoru pareiza lietošana un apkope

- ▶ **Ievērojiet turpmā izklāstītos drošības norādījumus, lai litija jonu akumulatoru lietošana neradītu apdraudējumu.** Norādījumu neievērošana var izraisīt ādas kairinājumu, smagas korozīvas traumas, ķīmiskos apdegumus, ugunsgrēku vai eksploziju.
- ▶ Lietojiet akumulatorus tikai tad, ja tie ir nevainojamā tehniskajā stāvoklī.
- ▶ Rīkojieties ar akumulatoriem uzmanīgi, lai pasargātu tos no bojājumiem un nepieļautu veselībai ļoti kaitīgu šķidrumu izplūdi!
- ▶ Nekādā gadījumā nedrīkst veikt akumulatoru pārveidi vai citas neatļautas manipulācijas!
- ▶ Akumulatorus nedrīkst izjaukt, saspiest, sakarsēt virs 80 °C (176 °F) vai sadedzināt.
- ▶ Nelietojiet un nemēģiniet uzlādēt akumulatorus, kas bijuši pakļauti triecieniem vai ir bojāti citā veidā. Regulāri pārbaudiet, vai akumulatoriem nav konstatējamas bojājumu pazīmes.
- ▶ Nekādā gadījumā nelietojiet atjaunotus vai remontētus akumulatorus.
- ▶ Nekādā gadījumā nelietojiet akumulatoru vai ar akumulatoru darbināmu elektroiekārtu kā instrumentu sišanai.
- ▶ Nekādā gadījumā nepakļaujiet akumulatorus tiešiem saules stariem, augstai temperatūrai, dzirkstelēm vai atklātai liesmai. Tas var izraisīt eksploziju.
- ▶ Nepieskarieties bateriju poliem ar pirkstiem vai instrumentiem un nepieļaujiet, ka tie nonāk saskarē ar rotaslietām vai citiem priekšmetiem, kam piemīt elektriskā vadītspēja. Tas var izraisīt akumulatoru bojājumus, kā arī materiālu kaitējumu un traumas.
- ▶ Sargājiet akumulatorus no lietus un mitruma un šķidrumiem. Mitruma iekļūšana var izraisīt īssavienojumu, elektrisko triecienu, apdegumus, ugunsgrēku un eksploziju.
- ▶ Lietojiet kopā ar akumulatoru tikai tā tipam paredzētos lādētājus un elektroiekārtas. Ievērojiet attiecīgo lietošanas instrukciju norādījumus.
- ▶ Nelietojiet un neuzglabājiet akumulatoru sprādzienbīstamā vidē.
- ▶ Ja akumulators kļūst pārāk karsts, iespējams, ka tas ir bojāts. Novietojiet akumulatoru labi pārredzamā, ugunsdrošā vietā, pietiekamā atstatumā no degošiem materiāliem. Ļaujiet akumulatoram atdzist. Ja pēc stundas akumulators joprojām ir tik karsts, ka to ir grūti satvert, tas nozīmē, ka tas ir bojāts. Vērsieties servisā **Hilti** vai izlasiet dokumentu "Norādījumi par **Hilti** litija jonu akumulatoru drošību un lietošanu".



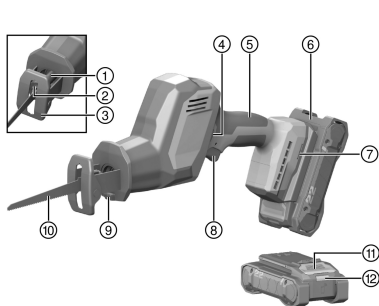
Ievērojiet īpašos norādījumus, kas attiecas uz litija jonu akumulatoru transportēšanu, uzglabāšanu un lietošanu.

Izlasiet Norādījumus par **Hilti** litija jonu akumulatoru drošību un lietošanu, kas ir pieejami, noskenējot QR kodu šīs lietošanas instrukcijas beigās.



### 3 Apraksts

#### 3.1 Izstrādājuma pārskats 1



- ① Zāģa asmens fiksācijas patrona
- ② Zāģa asmens stiprinājums
- ③ Piespiedējkurpe
- ④ Transporta drošinātājs
- ⑤ Rokturis
- ⑥ Akumulators
- ⑦ Atvere papildaprīkojuma montāžai
- ⑧ Vadības slēdzis
- ⑨ Darba zonas apgaismojums (LED)
- ⑩ Zāģa asmens
- ⑪ Akumulatora atbloķēšanas taustiņš
- ⑫ Akumulatora statusa indikācija

#### 3.2 Nosacījumiem atbilstīga lietošana

Aprakstītais izstrādājums ir ar akumulatoru darbināms zobenzāģis. Tas ir paredzēts koka, kokam līdzīgu materiālu un metāla, kā arī kļeģeļu un plastmasas zāģēšanai.

Izstrādājums ir paredzēts lietošanai ar vienu roku.

- Lietojiet kopā ar šo izstrādājumu tikai sērijas B 22 **Hilti** litija jonu akumulatorus Nuron. Lai nodrošinātu optimālu darbības efektivitāti, **Hilti** iesaka kopā ar šo izstrādājumu lietot šīs lietošanas instrukcijas beigās iekļautajā tabulā norādītos akumulatorus.
- Lietojiet šo akumulatoru uzlādēšanai tikai šīs lietošanas instrukcijas beigās iekļautajā tabulā norādīto sēriju **Hilti** lādētājus.

#### 3.3 Varbūtējā nepareizā lietošana

- ▶ Neizstrādājiet betonu, gāzbetonu, dabīgo akmeni vai fīzes.
- ▶ Nelietojiet izstrādājumu tādu cauruļvadu pārzāģēšanai, kuros atrodas šķidrums.
- ▶ Neveiciet zāģējumus nezināmās virsmās.

#### 3.4 Piegādes komplektācija

Zobenzāģis, lietošanas instrukcija.

Citus šim izstrādājumam izmantojamus sistēmas produktus meklējiet **Hilti Store** vai tīmekļvietnē: [www.hilti.group](http://www.hilti.group)

#### 3.5 Litija jonu akumulatora indikācija

**Hilti** litija jonu akumulatoru Nuron indikācija var informēt par akumulatora uzlādes līmeni, kļūmēm un stāvokli.

##### 3.5.1 Uzlādes līmeņa indikācija un kļūmes paziņojumi

#### BRĪDINĀJUMS!

##### Traumu risks akumulatora nokrišanas gadījumā!

- ▶ Ja akumulators ir ievietots un tiek nospiests atbloķēšanas taustiņš, nodrošiniet, lai akumulators atkal tiktu kārtīgi nofiksēts izstrādājumā.

Lai redzētu kādu no turpmāk aprakstītajām indikācijas veidiem, īsi nospiediet akumulatora atbloķēšanas taustiņu.

Uzlādes līmeņa un varbūtējo traucējumu indikācija ir redzama arī pastāvīgi, kamēr izstrādājums ir ieslēgts.

Stass	Nozīme
Četras (4) LED konstanti deg zaļā krāsā	Uzlādes līmenis: no 100 % līdz 71 %
Trīs (3) LED konstanti deg zaļā krāsā	Uzlādes līmenis: no 70 % līdz 51 %
Divas (2) LED konstanti deg zaļā krāsā	Uzlādes līmenis: no 50 % līdz 26 %



Stautss	Nozīme
(1) LED konstanti deg zaļā krāsā	Uzlādes līmenis: no 25 % līdz 10 %
Viena (1) LED lēni mirgo zaļā krāsā	Uzlādes līmenis: < 10 %
(1) LED ātri mirgo zaļā krāsā	Litija jonu akumulators ir pilnībā izlādējies. Uzlādējiet akumulatoru. Ja LED pēc akumulatora uzlādes joprojām ātri mirgo, vērsieties <b>Hilti</b> servisā.
(1) LED ātri mirgo dzeltenā krāsā	Litija jonu akumulators vai tam pievienotais izstrādājums ir pārslēgots, pārāk karsts vai pārāk auksts vai ir radusies cita kļūme. Nodrošiniet, lai izstrādājums vai akumulators būtu ieteicamajā darba temperatūrā, un lietojiet izstrādājumu tā, lai tas netiktu pārslēgots. Ja indikācija nepazūd, vērsieties <b>Hilti</b> servisā.
Viena (1) LED konstanti deg dzeltenā krāsā	Litija jonu akumulators un ar to savienotais izstrādājums nav savā starpā saderīgi. Lūdzu, vērsieties <b>Hilti</b> servisā.
(1) LED ātri mirgo sarkanā krāsā	Litija jonu akumulators ir bloķēts un nav lietojams. Lūdzu, vērsieties <b>Hilti</b> servisā.

### 3.5.2 Akumulatora stāvokļa indikācijas

Lai apskatītu akumulatora stāvokļa indikāciju, turiet atbloķēšanas taustiņu nospiestu ilgāk nekā trīs sekundes. Sistēma konstatē, ka potenciālu baterijas kļūmi, ko var izraisīt neatbilstīga apiešanās, piemēram, kritiens, saduršana, ārēja karstuma iedarbība utt.

Stautss	Nozīme
Visas LED deg kā skrejošā gaisma, pēc tam viena (1) LED konstanti deg zaļā krāsā.	Akumulatoru var turpināt lietot.
Visas LED deg kā skrejošā gaisma, pēc tam viena (1) LED konstanti deg dzeltenā krāsā.	Akumulatora stāvokļa informācijas nolaišanu neizdevās pabeigt. Atkārtojiet procesu vai vērsieties <b>Hilti</b> servisā.
Visas LED deg kā skrejošā gaisma, pēc tam viena (1) LED konstanti deg sarkanā krāsā.	Ja pievienoto izstrādājumu var turpināt lietot, atlikusī akumulatora kapacitāte ir mazāka nekā 50 %. Ja pievienoto izstrādājumu vairs nevar lietot, akumulators ir savu laiku nokalpojis un jānomaina pret citu. Lūdzu, vērsieties <b>Hilti</b> servisā.

## 4 Tehniskie parametri

### 4.1 Zobenzāģis

	SR 4-22
Izstrādājuma paudze	02
Nominālais spriegums	21,6 V
Svars atbilstīgi EPTA Procedure 01 bez akumulatora	2 kg
Gājienu skaits	0 apgr./min ... 3 000 apgr./min
Gājienu garums	23,2 mm
Bez atslēgas apkalpojams stiprinājums standarta instrumentiem	1/2 in
Uzglabāšanas temperatūra	-20 °C ... 70 °C
Apkārtējā temperatūra darbības laikā	-17 °C ... 60 °C



## 4.2 Akumulators

Akumulatora darba spriegums	21,6 V
Akumulatora svars	Skat. šīs lietošanas instrukcijas beigās
Apkārtējā temperatūra darbības laikā	-17 °C ... 60 °C
Uzglabāšanas temperatūra	-20 °C ... 40 °C
Akumulatora temperatūra uzlādes sākumā	-10 °C ... 45 °C

## 4.3 Informācija par troksni un svārstībām

Šajās instrukcijās norādītie lielumi, kas raksturo skaņas spiedienu un vibrāciju, ir noteikti ar standartizētas mērījumu metodes palīdzību, un tos var izmantot elektroiekārtu savstarpējai salīdzināšanai. Tos var izmantot arī trokšņa un vibrācijas iedarbības pagaidu novērtējumam.

Norādītie parametri attiecas uz elektroiekārtas galvenajiem lietošanas veidiem. Taču, ja elektroiekārta tiek izmantota citos nolūkos, ar citiem maināmajiem instrumentiem vai netiek nodrošināta pietiekama tās apkope, parametri var atšķirties no norādītajiem. Tas var ievērojami palielināt trokšņa un vibrācijas iedarbību visā darba laikā.

Lai precīzi novērtētu iedarbību, jāņem vērā arī laiks, cik ilgi elektroiekārta ir izslēgta vai ir ieslēgta, taču faktiski netiek darbināta. Tas var būtiski samazināt iedarbību kopējā darba laikā.

Jāparedz papildu drošības pasākumi, lai aizsargātu iekārtas lietotāju pret trokšņa un/vai vibrācijas iedarbību, piemēram, elektroiekārtas un apkope, roku turēšana siltumā, darba procesu organizācija.

Sīkāka informācija par šeit piemērotajām **EN 62841** standartu versijām var atrast Atbilstības deklarācijas attēlā 219.

### Informācija par troksni

	SR 4-22
Skaņas jaudas līmenis ( $L_{WA}$ )	95 dB(A)
Skaņas jaudas līmeņa pielāde ( $K_{WA}$ )	5 dB(A)
Skaņas spiediena līmenis ( $L_{pA}$ )	87 dB(A)
Skaņas spiediena līmeņa pielāde ( $K_{pA}$ )	5 dB(A)

### Informācija par vibrāciju

Svārstību emisija, zāģējot skaidu plāksnes ( $a_{h,B}$ )	B 22-55	12,8 m/s <sup>2</sup>
	B 22-85	11,1 m/s <sup>2</sup>
Svārstību emisija, zāģējot koka sijas ( $a_{h,WB}$ )	B 22-55	11,5 m/s <sup>2</sup>
	B 22-85	12,2 m/s <sup>2</sup>
Iespējamā kļūda (K)		1,5 m/s <sup>2</sup>

## 5 Lietošana

### 5.1 Akumulatora uzlādēšana

1. Pirms uzlādes sākšanas izlasiet lādētāja lietošanas instrukciju.
2. Raugieties, lai akumulatora un lādētāja kontaktu virsmas ir tīras un sausas.
3. Veiciet akumulatora uzlādi atbilstīgā lādētājā. 88

### 5.2 Akumulatora ievietošana

#### BRĪDINĀJUMS!

#### Traumu risks īssavienojuma vai akumulatora nokrišanas gadījumā!

- Pirms akumulatora ievietošanas pārliecinieties, ka uz akumulatora un izstrādājuma kontaktiem neatrodas nekādi svešķermeņi.
- Pārbaudiet, vai akumulators ir droši nofiksēts.

1. Pirms pirmās lietošanas pilnībā uzlādējiet akumulatoru.



2. Iebīdiēt akumulatoru izstrādājumā, līdz tas dzirdami nofiksējas.
3. Pārbaudiet, vai akumulators ir droši nofiksēts.

### 5.3 Akumulatora izņemšana

1. Nospiediet akumulatora atbloķēšanas taustiņu.
2. Izvelciet akumulatoru no iekārtas.

### 5.4 Nodrošinājums pret kritienu

#### BRĪDINĀJUMS!

**Traumu risks** instrumenta un/vai papildaprīkojuma nokrišanas gadījumā!

- ▶ Lietojiet tikai jūsu izstrādājumam ieteikto **Hilti** instrumentu drošības virvi.
- ▶ Pirms katras lietošanas pārbaudiet, vai nav bojāts instrumentu drošības virves stiprinājuma punkts.



Ievērojiet jūsu valstī spēkā esošos noteikumus par darbu augstumā.

Aizsardzībai pret kritieniem lietojiet kopā ar šo izstrādājumu tikai **Hilti** pretnokrišanas aprīkojumu #2293133 apvienojumā ar **Hilti** instrumentu drošības virvi #2261970.

- ▶ Nostipriniet pretnokrišanas aprīkojumu papildaprīkojumam paredzētajās montāžas atverēs. Pārbaudiet, vai fiksācija ir droša.
- ▶ Nostipriniet vienu instrumentu drošības virves karabīnes āķi pie pretnokrišanas aprīkojuma un otru karabīnes āķi – pie nesošas konstrukcijas. Pārbaudiet, vai abi karabīnes āķi ir nofiksēti droši.



Ievērojiet **Hilti** pretnokrišanas aprīkojuma un **Hilti** instrumentu drošības virves lietošanas instrukcijas.

### 5.5 Zāģa asmens ievietošana



Lietojiet tikai zāģa asmeņus ar 1/2" iespraužamu galu.

1. Pirms ievietošanas patronā pārbaudiet, vai nofiksējamā instrumenta gals ir tīrs un viegli ieeļļots. Nepieciešamības gadījumā notīriet un ieeļļojiet to.
2. Pagrieziet instrumenta stiprinājuma fiksācijas patronu pretēji pulksteņrādītāja kustības virzienam un turiet to nospiestu.
3. Virzienā uz priekšu iespiediet zāģa asmeni instrumenta stiprinājumā.
4. Ļaujiet fiksācijas patronai atgriezties sākotnējā stāvoklī, līdz tā dzirdami nofiksējas.
5. Pavelkot zāģa asmeni, pārbaudiet, vai tas ir kārtīgi nofiksējies.

### 5.6 Zāģa asmens izņemšana

#### IEVĒROT PIESARDZĪBU!

**Traumu risks!** Maināmais instruments var būt karsts un/vai ar asām malām.

- ▶ Darba instrumenta nomaiņas laikā valkājiet aizsargcimdus.
  - ▶ Nekādā gadījumā nenovietojiet karstu maināmo instrumentu uz degoša materiāla virsmas.
1. Pagrieziet instrumenta stiprinājuma fiksācijas patronu pretēji pulksteņrādītāja kustības virzienam un turiet to nospiestu.
  2. Virzienā uz priekšu izvelciet zāģa asmeni no instrumenta stiprinājuma.
  3. Ļaujiet fiksācijas patronai atgriezties sākotnējā stāvoklī.

## 6 Lietošana

Ievērojiet drošības norādījumus un brīdinājumus, kas atrodami šajā dokumentācijā un uz izstrādājuma.



## 6.1 Zāgēšana

### **BRĪDINĀJUMS!**

#### **Zāga inerces kustības izraisīts traumu risks !**

- ▶ Paceliet iekārtu no apstrādājamā materiāla tikai tad, kad tās kustība ir pilnībā apstājusies.
- ▶ Nekad nenolieciet elektroiekārtu, kamēr nav pilnībā apstājusies tās kustība.

1. Deaktivējiet transporta drošinātāju un nospiediet vadības slēdzi.
2. Kad zāgēšanas process ir pabeigts, atlaidiet vadības slēdzi.
3. Aktivējiet transporta drošinātāju.

## 7 Apkope un uzturēšana

### **BRĪDINĀJUMS!**

#### **Traumu risks ievietota akumulatora gadījumā !**

- ▶ Pirms jebkādiem apkopes un tehniskā stāvokļa uzturēšanas darbiem vienmēr izņemiet akumulatoru!

#### **Izstrādājuma kopšana**

- Uzmanīgi notīriet pielīpušos netīrumus.
- Ja izstrādājumam ir ventilācijas atveres, uzmanīgi iztīriet tās ar sausu, mīkstu birstīti.
- Notīriet korpusa virsmas tikai ar nedaudz samitrinātu drāniņu. Nelietojiet silikonu saturošus kopšanas līdzekļus, jo tie var sabojāt plastmasas daļas.
- Regulāri veiciet instrumenta stiprinājuma tīrīšanu un eļļošanu no ārpuses. Lūdzu, lietojiet šim nolūkam **Hilti** aerosolu 314648.
- Izstrādājuma kontaktu tīrīšanai lietojiet tīru un sausu drāniņu.

#### **Litija jonu akumulatoru apkope**

- Nekādā gadījumā nelietojiet bateriju ar nosprostotām ventilācijas atverēm. Uzmanīgi iztīriet ventilācijas atveres ar sausu, mīkstu birstīti.
- Nepakļaujiet akumulatoru nevajadzīgai putekļu vai netīrumu ietekmei. Nekādā gadījumā nepakļaujiet akumulatoru spēcīgam mitrumam (piemēram, nemērciet to ūdenī un neatstājiet lietū).  
Ja akumulators ir samircis, rīkojieties ar to tāpat, kā jūs rīkotos ar bojātu akumulatoru. Ievietojiet to izolētā nedegoša materiāla tvērtņē un vērsieties **Hilti** servisā.
- Raugieties, lai akumulators nebūtu savārtīts ar nepiederīgu eļļu un smērvielām. Raugieties, lai uz akumulatora nevajadzīgi neuzkrātos putekļi un netīrumi. Notīriet akumulatoru ar sausu, mīkstu birstīti vai tīru un sausu drāniņu. Nelietojiet silikonu saturošus kopšanas līdzekļus, jo tie var sabojāt plastmasas daļas.  
Nepieskarieties akumulatora kontaktiem un neattīriet kontaktus no rūpnīcā uzklātās smērvielas.
- Notīriet korpusa virsmas tikai ar nedaudz samitrinātu drāniņu. Nelietojiet silikonu saturošus kopšanas līdzekļus, jo tie var sabojāt plastmasas daļas.

#### **Uzturēšana**

- Regulāri pārbaudiet visas redzamās daļas, lai pārliecinātos, ka tās nav bojātas un funkcionē nevainojami.
- Nelietojiet izstrādājumu, ja tam ir radušies bojājumi un/vai funkciju traucējumi. Nekavējoties nododiet izstrādājumu **Hilti** servisā remonta veikšanai.
- Pēc apkopes un remonta darbiem piemontējiet vietā visas aizsargierīces un pārbaudiet, vai tās darbojas nevainojami.



Lai izstrādājuma lietošana būtu droša, izmantojiet tikai oriģinālās rezerves daļas un patēriņa materiālus. Rezerves daļas, patēriņa materiālus un piederumus, kuru lietošanu kopā ar šo izstrādājumu akceptē **Hilti**, var atrast **Hilti Store** vai tīmekļvietnē: [www.hilti.group](http://www.hilti.group)

## 8 Transportēšana un uzglabāšana

#### **Ar akumulatoru darbināmu iekārtu un akumulatoru transportēšana**

### **IEVĒROT PIESARDZĪBU!**

#### **Nekontrolēta iedarbošanās transportēšanas laikā !**

- ▶ Pirms iekārtu transportēšanas vienmēr izņemiet no tām akumulatorus!





- ▶ Izņemiet akumulatoru / akumulatorus.
- ▶ Nekādā gadījumā netransportējiet akumulatorus nenostiprinātā veidā, sabērtus kaudzē. Transportēšanas laikā akumulatori jāsgargā no triecieniem un vibrācijas, kā arī jāizolē no jebkādiem materiāliem, kam piemīt elektriskā vadītspēja, un citiem akumulatoriem, lai nepieļautu to nonākšanu saskarē ar citu bateriju kontaktiem un īssavienojuma rašanos. **Ievērojiet vietējos noteikumus par akumulatoru transportēšanu.**
- ▶ Akumulatorus nedrīkst sūtīt pa pastu. Ja vēlaties nosūtīt nebojātus akumulatorus, vērsieties sūtījumu piegādes uzņēmumā.
- ▶ Pirms katras lietošanas, kā arī pēc ilgākas transportēšanas pārbaudiet, vai izstrādājums un akumulatori nav bojāti.

#### Ar akumulatoru darbināmu iekārtu un akumulatoru uzglabāšana

#### BRĪDINĀJUMS!

#### Neparedzami bojājumi bojātu vai izplūdušu akumulatoru dēļ!

- ▶ Pirms iekārtu novietošanas glabāšanā vienmēr izņemiet no tām akumulatorus!
- ▶ Glabājiet izstrādājumu un akumulatorus vēsā un sausā vietā. Ievērojiet temperatūras robežvērtības, kas norādītas sadaļā Tehniskie parametri 89.
- ▶ Neglabājiet akumulatorus uz lādētāja. Pēc uzlādes procesa vienmēr noņemiet akumulatoru no lādētāja.
- ▶ Nekad neglabājiet akumulatorus saulē, uz siltuma avotiem vai aiz stikla.
- ▶ Glabājiet izstrādājumu un akumulatorus tā, lai tiem nevarētu piekļūt bērni un nepiederošas personas.
- ▶ Pirms katras lietošanas, kā arī pēc ilgākas uzglabāšanas pārbaudiet, vai izstrādājums un akumulatori nav bojāti.

## 9 Traucējumu novēršana

Jebkādu traucējumu gadījumā pievērsiet uzmanību akumulatora uzlādes līmeņa un traucējumu indikācijai. Skat. nodaļu **Litija jonu akumulatora indikācija**.

Ja izstrādājuma darbībā radušies traucējumi, kas nav uzskaitīti šajā tabulā vai ko jums neizdodas novērst saviem spēkiem, lūdz, meklējiet palīdzību mūsu **Hilti** servisā.

Traucējums	Iespējamais iemesls	Risinājums
Akumulators izlādējas ātrāk nekā parasti.	Akumulatora stāvoklis nav optimāls.	▶ Aktivējiet akumulatora statusa nolasīšanu.  88
Akumulators nenofiksējas ar sadzirdamu klikšķi.	Netīrs akumulatora fiksācijas izcilnis.	▶ Notīriet fiksācijas izcilni un nofiksējiet akumulatoru vēlreiz.
LED indikācijas nav.	Akumulators nav pilnībā iebīdīts.	▶ Nofiksējiet akumulatoru ar sadzirdamu klikšķi.
	Akumulators ir bojāts.	▶ Vērsieties <b>Hilti</b> servisā.
Zāga asmeni nav iespējams izņemt no instrumenta stiprinājuma.	Bloķēšanas svira nav nospiesta līdz galam.	▶ Līdz galam pagrieziet bloķēšanas sviru un izņemiet zāga asmeni.
	Instrumenta stiprinājumu nosprosto zāga skaidas.	▶ Aizvāciet skaidas un regulāri notīriet instrumenta stiprinājumu no ārpuses. Izstrādājuma kopšana.  92
Iekārta nedarbojas ar pilnu jaudu.	Kontroles slēdzis nav nospiests līdz galam.	▶ Līdz galam nospiediet vadības slēdzi.
	Akumulators ir izlādējies.	▶ Nomainiet akumulatoru un uzlādējiet tukšo akumulatoru.
Zāga asmeni nav iespējams izņemt no instrumenta stiprinājuma.	Fiksācijas patrona nav pagriezta līdz galam.	▶ Pagrieziet fiksācijas patronu līdz galam un izņemiet zāga asmeni.




## 10 Nokalpojušo iekārtu utilizācija

### BRĪDINĀJUMS!

**Traumu risks neatbilstīgas utilizācijas gadījumā!** Veselības apdraudējums, izplūstot kaitīgām gāzēm un šķidrumiem.

- ▶ Bojātus akumulatorus nav atļauts nosūtīt!
- ▶ Lai nepieļautu īssavienojumus, nosedziet pieslēguma kontaktus ar materiālu, kam nepiemīt elektriskā vadītspēja.
- ▶ Utilizējiet akumulatorus tā, lai tiem nevarētu piekļūt bērni.
- ▶ Nododiet akumulatoru utilizācijai jūs apkalpojošajā **Hilti Store** vai vērsieties pie kompetentā atkritumu apsaimniekošanas uzņēmuma.

 **Hilti** izstrādājumu izgatavošanā tiek izmantoti galvenokārt otrreiz pārstrādājami materiāli. Priekšnosacījums otrreizējai pārstrādei ir atbilstoša materiālu šķirošana. Daudzās valstīs **Hilti** pieņem nolietotās iekārtas otrreizējai pārstrādei. Lai saņemtu vairāk informācijas, vērsieties **Hilti** servisā vai pie sava pārdošanas konsultanta.



- ▶ Neizmetiet elektroiekārtas, elektroniskas ierīces un akumulatorus sadzīves atkritumos!

## 11 Ražotāja garantija

- ▶ Ar jautājumiem par garantijas nosacījumiem, lūdzu, vērsieties pie vietējā **Hilti** partnera.

## 12 Papildinformācija



Papildinformācija par lietošanu, tehniku, vides aizsardzību un materiālu otrreizējo pārstrādi ir pieejama, izmantojot šādu saiti: [qr.hilti.com/manual/?id=2243480&id=2243482](http://qr.hilti.com/manual/?id=2243480&id=2243482)

Šī saite QR koda veidā ir iekļauta arī dokumentācijas beigās.

## Originali naudojimo instrukcija

### 1 Informacija apie naudojimo instrukciją

#### 1.1 Apie šią naudojimo instrukciją

- **Įspėjimas!** Prieš pradėdami naudoti prietaisą įsitinkinkite, kad perskaitėte ir supratote prie prietaiso pridedamą naudojimo instrukciją, įskaitant instrukcijas, saugos ir įspėjamuosius nurodymus, paveikslėlius ir specifikacijas. Svarbiausia susipažinkite su visomis instrukcijomis, saugos ir įspėjamaisiais nurodymais, paveikslėliais, specifikacijomis be sudėtinėmis dalimis ir funkcijomis. Nesilaikant šio reikalavimo, kyla elektros smūgio, gaisro ir (arba) sunkių sužalojimų pavojus. Vėlesniam naudojimui išsaugokite naudojimo instrukciją, įskaitant visas instrukcijas, saugos ir įspėjamuosius nurodymus.
- **HILTI** prietaisai yra skirti profesionalams, todėl juos naudoti, atlikti jų techninės priežiūros ir remonto darbus leidžiama tik įgaliotam, instruktuojamam personalui. Šis personalas turi būti supažindintas su visais galimais pavojais. Neinstruktuojo personalo netinkamai arba ne pagal paskirtį naudojamas prietaisas ir jo priedai gali kelti pavojų.



- Pridedama naudojimo instrukcija atitinka naujausią technikos lygį spausdinimo momentu. Naujausią versiją visada rasite internetu „Hilti“ prietaisų puslapyje. Sekite nuorodą arba QR kodą šioje naudojimo instrukcijoje, pažymėtą simboliu .
- Kitiems asmenims prietaisą perduokite tik kartu su šia naudojimo instrukcija.

## 1.2 Ženklų paaiškinimas

### 1.2.1 Įspėjamieji nurodymai

Įspėjamieji nurodymai įspėja apie pavojus, gresiančius eksploatuojant prietaisą. Naudojami šie signaliniai žodžiai:

#### **PAVOJUS**

##### **PAVOJUS !**

- ▶ Šis žodis vartojamas norint įspėti apie tiesiogiai gresiantį pavojų, kurio pasekmės yra sunkūs kūno sužalojimai arba žūtis.

#### **ĮSPĖJIMAS**

##### **ĮSPĖJIMAS !**

- ▶ Šis žodis vartojamas norint įspėti apie galimai gresiantį pavojų, kurio pasekmės gali būti sunkūs kūno sužalojimai arba žūtis.

#### **ATSARGIAI**

##### **ATSARGIAI !**

- ▶ Šis žodis vartojamas potencialiai pavojingai situacijai žymėti, kai yra kūno sužalojimo arba materialinių nuostolių grėsmė.

### 1.2.2 Naudojimo instrukcijoje naudojami simboliai

Šioje naudojimo instrukcijoje naudojami tokie simboliai:

	Laikykitės naudojimo instrukcijos
	Naudojimo nurodymai ir kita naudinga informacija
	Rodo, kad juo paženklintą medžiagą galima perdirbti
	Elektrinių prietaisų ir akumuliatorių nemesti į buitines atliekas
	<b>Hilti</b> Ličio jonų akumuliatorius
	<b>Hilti</b> Kroviklis

### 1.2.3 Iliustracijose naudojami simboliai

Iliustracijose naudojami šie simboliai:

	Šis skaitmenys nurodo atitinkamą iliustraciją šios naudojimo instrukcijos pradžioje.
3	Numeravimas nurodo darbinių veiksmų eiliškumą paveikslėlyje ir gali skirtis nuo tekste pateikto darbinių veiksmų numeravimo.
	Pozicijų numeriai naudojami paveikslėlyje <b>Apžvalga</b> – jie nurodo skyrelyje <b>Prietaiso vaizdas</b> esančių paaiškinimų numerius.
	Šiuo ženklu siekiama atkreipti ypatingą dėmesį į naudojamą šiuo prietaisu.

## 1.3 Specifiniai prietaiso simboliai

### 1.3.1 Simboliai ant prietaiso

Ant prietaiso gali būti naudojami šie simboliai:



RPM	Judesių skaičius per minutę
$n_0$	Tuščiosios eigos judesių skaičius
---	Nuolatinė srovė
	Prietaisas palaiko NFC technologiją, suderinamą su „iOS“ ir „Android“ platformomis.
Li-Ion	Ličio jonų akumuliatorius
	Niekada nenaudokite akumuliatoriaus kaip smūginio įrankio.
	Saugokite, kad akumuliatorius nenukristų. Nenaudokite akumuliatoriaus, kuris buvo sutrenktas arba kaip nors kitaip pažeistas.

## 2 Sauga

### 2.1 Bendrieji saugos nurodymai dirbantiems su elektriniais įrankiais

**⚠️ ĮSPĖJIMAS Perskaitykite visus ant šio elektrinio įrankio esančius saugos nurodymus, instrukcijas, paveikslėlius ir techninius duomenis.** Šių nurodymų nesilaikymas gali tapti elektros smūgio, gaisro ir / arba sunkių sužalojimų priežastimi.

**Išsaugokite visus saugos nurodymus ir instrukcijas, kad galėtumėte į juos pažvelgti ateityje.**

Saugos nurodymuose vartojama sąvoka „elektrinis įrankis“ apibrėžiama iš elektros tinklo maitinami elektriniai įrankiai (turintys maitinimo kabelį) ir iš akumuliatoriaus maitinami elektriniai įrankiai (be maitinimo kabelio).

#### Sauga darbo vietoje

- ▶ **Pasirūpinkite, kad darbo vieta visada būtų švari ir gerai apšviesta.** Netvarkinga ar blogai apšviesta darbo vieta gali tapti nelaimingų atsitikimų priežastimi.
- ▶ **Nenaudokite elektrinio įrankio sprogoje aplinkoje, kurioje yra degių skysčių, dujų arba dulkių.** Veikiantys elektriniai įrankiai kibirkščiuoja, ir kibirkštys gali uždegti dulkes arba susikaupusius garus.
- ▶ **Dirbdami su elektriniu įrankiu, neleiskite darbo zonoje būti vaikams ir pašaliniais asmenims.** Atitraukę dėmesį nuo darbo, galite nebesuvaldyti prietaiso.

#### Apsauga nuo elektros

- ▶ **Prietaiso maitinimo kabelio kištukas turi atitikti elektros lizdo tipą.** Kištuko jokia būdu negalima keisti. Nenaudokite tarpinių kištukų kartu su elektriniais įrankiais, turinčiais apsauginį įžeminimą. Nepakeisti kištukai ir tinkami elektros lizdai mažina elektros smūgio riziką.
- ▶ **Venkite kūno kontakto su įžemintais paviršiais, pvz., vamzdžiais, šildytuvais, viryklėmis ir šaldytuvais.** Kai žmogaus kūnas yra įžemintas, padidėja elektros smūgio tikimybė.
- ▶ **Elektrinius įrankius saugokite nuo lietaus ir drėgmės.** Į elektrinį įrankį patekus vandens, padidėja elektros smūgio rizika.
- ▶ **Nenaudokite elektros maitinimo kabelio ne pagal paskirtį, t. y. neneškite elektrinio įrankio paėmę už kabelio, nekabinkite jo ant kabelio, netraukite už kabelio, norėdami ištraukti kištuką iš elektros lizdo.** Elektros maitinimo kabelį saugokite nuo karščio, alyvos, aštrių briaunų ar judančių dalių. Pažeisti arba susipynę elektros maitinimo kabeliai didina elektros smūgio riziką.
- ▶ **Jeį su elektriniu įrankiu dirbate lauke, naudokite tik tokius ilginimo kabelius, kurie tinka ir lauko darbams.** Naudojant lauko darbams tinkančius ilginimo kabelius, mažėja elektros smūgio rizika.
- ▶ **Jeigu elektrinio įrankio naudojimo drėgnoje aplinkoje negalima išvengti, į elektros tinklą jįjunkite per apsauginę nuotėkio relę.** Apsauginė nuotėkio relė mažina elektros smūgio riziką.

#### Žmonių sauga

- ▶ **Dirbdami su elektriniu įrankiu, būkite atidūs, sutelkite dėmesį į darbą ir vadovaukitės sveika nuovoka.** Elektrinio įrankio nenaudokite, jeigu esate pavargę arba apsvaigę nuo narkotinių medžiagų, alkoholio ar vaistų. Neatidumo akimirka dirbant su elektriniu įrankiu gali tapti rimtų sužalojimų priežastimi.
- ▶ **Naudokite asmenines apsaugos priemones ir visuomet užsidėkite apsauginius akinius.** Naudojant asmenines apsaugos priemones, pvz., respiratorių, neslystančius apsauginius batus, apsauginį šalną, ausines ir kt., priklausomai nuo elektrinio įrankio tipo ir naudojimo, mažėja rizika susižaloti.
- ▶ **Saugokitės, kad neįjungtumėte prietaiso atsitiktinai.** Prieš prijungdami prie elektros maitinimo tinklo, įdėdami akumuliatorių, imdami į rankas ar nešdami, įsitikinkite, kad elektrinis įrankis yra



**išjungtas.** Jeigu nešdami elektrinį įrankį pirštą laikysite ant jungiklio arba įrankį įjungsite į elektros tinklą tuomet, kai jungiklis nėra išjungtas, gali įvykti nelaimingas atsitikimas.

- ▶ **Prieš įjungdami elektrinį įrankį, pašalinkite iš jo reguliavimo įrankius ar veržlinius raktus.** Besisukančioje prietaiso dalyje esantis įrankis ar paliktas raktas gali tapti sužalojimų priežastimi.
- ▶ **Venkite nepatogių kūno padėčių.** Dirbdami stovėkite tvirtai ir visada išlaikykite kūno pusiausvyrą. Taip galėsite geriau kontroliuoti elektrinį įrankį netikėtose situacijose.
- ▶ **Vilkėkite tinkamą aprangą.** Nevilkėkite plačių drabužių, nesidėkite papuošalų. Saugokite plaukus, drabužius ir pirštines nuo besisukančių prietaiso dalių. Laisvus drabužius, papuošalus ir ilgus plaukus gali įtraukti besisukančios prietaiso dalys.
- ▶ **Jei yra numatyta galimybė prijungti dulkių nusiurbimo ar surinkimo įrenginius, visada įsitinkinkite, kad jie yra prijungti ir tinkamai naudojami.** Naudojant dulkių nusiurbimo įrenginį, gali sumažėti dulkių keliama grėsmė.
- ▶ **Neturėkite iliuzijų, kad visada esate saugūs, ir, skaitydami naudojimo instrukcijas, nepraleiskite skyrelių apie saugų darbą su elektriniais įrankiais, net jeigu per ilgus naudojimo metus esate su savo elektriniu įrankiu susipažinę.** Neatsargus veiksmas per sekundės dalį gali tapti sunkių sužalojimų priežastimi.

#### Elektrinio įrankio naudojimas ir elgesys su juo

- ▶ **Prietaiso neperkraudkite.** Naudokite Jūsų darbui tinkamą elektrinį įrankį. Su tinkamu elektriniu įrankiu dirbsite geriau ir saugiau, jei neviršysite nurodytos galios.
- ▶ **Nenaudokite elektrinio įrankio su sugedusiu jungikliu.** Elektrinis įrankis, kurio nebegalima įjungti ar išjungti, yra pavojingas ir jį reikia remontuoti.
- ▶ **Prieš prietaisą nustatydami, keisdami reikmenis ar tiesiog padėdami į šalį, visuomet ištraukite maitinimo kabelio kištuką iš elektros lizdo ir / arba iš prietaiso išimkite akumuliatorių.** Ši atsargumo priemonė leis išvengti netikėto elektrinio įrankio įsijungimo.
- ▶ **Nenaudojamus elektrinius įrankius saugokite vaikams nepasiekiamoje vietoje. Neleiskite prietaisu naudotis asmenims, kurie nėra su juo susipažinę arba nėra perskaitę šios instrukcijos.** Elektriniai įrankiai yra pavojingi, kai juos naudoja patirties neturintys asmenys.
- ▶ **Elektrinius įrankius ir reikmenis rūpestingai prižiūrėkite.** Tikrinkite, ar judančios elektrinio įrankio dalys tinkamai funkcionuoja ir niekur nekliūva, ar nėra sulūžusių ir pažeistų dalių, kurios blogintų įrankio veikimą. Prieš naudojimą pažeistos prietaiso dalys turi būti suremontuotos. Blogai prižiūrimi elektriniai įrankiai yra daugelio nelaimingų atsitikimų priežastis.
- ▶ **Pjovimo įrankiai visuomet turi būti aštrūs ir švarūs.** Rūpestingai prižiūrėti pjovimo įrankiai su aštriomis pjovimo briaunomis mažiau stringa ir yra lengviau valdomi.
- ▶ **Elektrinį įrankį, reikmenis, keičiamuosius įrankius ir t. t. naudokite pagal šias instrukcijas. Taip pat atsižvelkite į darbo sąlygas ir atliekamo darbo pobūdį.** Elektrinius įrankius naudojant ne pagal paskirtį, gali kilti pavojingos situacijos.
- ▶ **Prižiūrėkite rankenas, kad jos ir jų laikymo paviršiai visada būtų sausi, švarūs ir neriebaluoti.** Slidžios rankenos ir jų laikymo paviršiai negali užtikrinti elektrinio įrankio saugaus naudojimo ir valdymo kontrolės nenumatytose situacijose.

#### Akumulatorinio įrankio naudojimas ir elgesys su juo

- ▶ **Akumuliatoriams įkrauti naudokite tik tuos kroviklius, kuriuos rekomenduoja gamintojas.** Kroviklį, tinkantį tik nurodytiems akumuliatorių tipams, naudojant kitiems akumuliatoriams įkrauti, kyla gaisro pavojus.
- ▶ **Elektriniuose įrankiuose naudokite tik konkrečiai jiems skirtus akumuliatorius.** Naudojant kitokius akumuliatorius, kyla pavojus susižaloti ir sukelti gaisrą.
- ▶ **Nenaudojamo akumuliatoriaus nelaikykite šalia sąvaržėlių, monetų, raktų, vinių, varžtų ar kitokių smulkių metalinių daiktų, kurie galėtų trumpai sujungti akumuliatoriaus kontaktus.** Trumpai sujungus akumuliatoriaus kontaktus, yra pavojus nusideginti ar sukelti gaisrą.
- ▶ **Netinkamai naudojant akumuliatorių, iš jo gali ištekėti skystis. Venkite kontakto su šiuo skysčiu.** Jei skysčio atsitiktinai pateko ant odos, nuplaukite ją vandeniu, jei pateko į akis - gerai praplaukite jas vandeniu ir nedelsdami kreipkitės į gydytoją. Akumuliatoriaus skystis gali sudirginti arba chemiškai nudeginti odą.
- ▶ **Nenaudokite pažeisto arba perdirbto akumuliatoriaus.** Pažeisti arba perdirbti akumuliatoriai gali funkcionuoti nenumatyta, todėl gali kelti gaisro, sprogo ar sužalojimų pavojų.
- ▶ **Akumuliatorių saugokite nuo ugnies ir per aukštos temperatūros.** Ugnies arba didesnės kaip 130 °C (265 °F) temperatūros veikiamas akumuliatorius gali sprogti.
- ▶ **Laikykites visų įkrovimo instrukcijų ir akumuliatorių arba akumuliatorinį įrankį visada įkraukite tik eksploatavimo instrukcijoje nurodytame temperatūrų diapazone.** Netinkamas įkrovimas arba įkrovimas už leistino temperatūrų diapazono ribų gali sugadinti akumuliatorių ir padidinti gaisro pavojų.



**Techninė priežiūra**

- ▶ **Savo elektrinį įrankį patikėkite remontuoti tik kvalifikuotam specialistui, tam jis turi naudoti tik originalias atsargines dalis.** Taip galima užtikrinti, kad bus išlaikytas prietaiso naudojimo saugumas.
- ▶ **Niekada nevykdykite pažeistų akumuliatorių techninės priežiūros.** Bet kokią akumuliatorių techninę priežiūrą leidžiama vykdyti tik gamintojui arba įgaliotoms klientų aptarnavimo įmonėms.

**2.2 Saugos nurodymai dirbantiems su pjūklais, kurių pjūklelis juda pirmyn ir atgal**

- ▶ **Jeigu vykdant darbus keičiamasis įrankis gali paliesti paslėptus elektros laidus, elektrinį įrankį laikykite paėmę už izoliuotų rankenų paviršių.** Dėl kontakto su laidais, kuriais teka elektros srovė, metalinėse prietaiso dalyse taip pat gali atsirasti įtampa, todėl kyla elektros smūgio pavojus.
- ▶ **Ruošinį veržtuvais ar koku nors kitoku būdu pritvirtinkite ir užfiksuokite ant stabilaus pagrindo.** Jeigu ruošinį laikote tik ranka ar atrėmę į kūną, jis išlieka paslankus, todėl galite nesuvaldyti prietaiso.

**2.3 Papildomi saugos nurodymai**

- ▶ Prietaisą ir reikmenis naudokite tik tada, kai jie yra techniškai tvarkingi.
- ▶ Prietaisą ir reikmenis draudžiama keisti ar atlikti kitokius jų pakeitimus.
- ▶ Šlifuojant, pjaustant ir gręžiant kylančiose dulkėse gali būti pavojingų cheminių medžiagų. Štai keli pavyzdžiai: švinas ar dažai švino pagrindu, plytos, betonas ir kiti mūro statiniai, natūralus akmuo ir kiti gaminiai, kurių sudėtyje yra silikato, tam tikra mediena, ažuolas, bukas ir chemiškai apdorota mediena, asbestas arba medžiagos, kurių sudėtyje yra asbesto. Naudodamiesi medžiagų, su kuriomis dirbama, pavojingumo klase, nustatykite poveikį dirbančiajam ir aplink esantiems asmenims. Imkitės būtinų priemonių, užtikrinančių, kad poveikis liktų saugiam lygmenyje, pvz., naudokite dulkių surinkimo sistemą arba dėvėkite tinkamas kvėpavimo apsaugos priemones. Prie bendrųjų priemonių, skirtų poveikiui sumažinti, priskiriama:
  - ▶ darbas gerai vėdinamoje srityje,
  - ▶ ilgesnio kontakto su dulkelimis vengimas,
  - ▶ dulkių nuvedimas nuo veido ir kūno,
  - ▶ apsauginių drabužių dėvėjimas ir užterštų vietų nuplovimas vandeniu ir muilu.
- ▶ Sužalojimo pavojus dėl žemyn krentančių įrankių ir / arba reikmenų. Prieš pradėdami dirbti tikrinkite, kad sumontuotas priedas būtų patikimai pritvirtintas.
- ▶ Užtikrinkite, kad vėdinimo plyšiai visada būtų atviri. Nudėgimo pavojus dėl uždengtų vėdinimo plyšių!
- ▶ Dažnai darykite pertraukas ir pratimus, užtikrinančius geresnę Jūsų pirštų kraujotaką. Dirbant ilgesnį laiką, vibracijos gali sukelti pirštų, plaštakos ar riešo sąnario kraujagyslių ar nervų sistemos pažeidimus.
- ▶ Prie šio prietaiso netvirtinkite diržo kablo.
- ▶ Nežiūrėkite tiesiai į gaminio šviestuvą (šviesos diodą) ir nenukreipkite jo į kito žmogaus veidą. Jo šviesa akina.
- ▶ Naudotojas ir šalia esantys asmenys darbo su prietaisu metu turi užsidėti tinkamus akių apsaugos priemonę, apsauginį šalimą, ausines, mūvėti apsaugines pirštines ir užsidėti lengvą respiratorių.
- ▶ Medžiagų atplaišos gali sužaloti odą ir akis. Naudokite asmenines apsaugos priemones ir visuomet užsidėkite apsauginius akinus bei mūvėkite apsaugines pirštines.
- ▶ Keisdami įrankį, mūvėkite apsaugines pirštines. Liesdami keičiamąjį įrankį, galite susipjaustyti ir nusideginti rankas.
- ▶ Nekiškite rankų į pjovimo zoną ir prie pjūklelio. Jei reikia atramos, laikykite prietaisą antrąja ranka suėmę už variklio korpuso. Kai pjūklą laiko abi rankos, pjūklelis jų sužaloti negali.
- ▶ Prieš padėdami prietaisą palaukite, kol jis visiškai sustos.
- ▶ Nenaudokite atšipusių arba pažeistų pjūklelių. Dėl jų padidėja trintis, pjūklelis stringa, ir atsiranda atatranks jėga.
- ▶ Ruošinį stabiliai užfiksuokite. Pjaunamo ruošinio niekada nelaikykite rankoje arba virš kojų.
- ▶ Prietaisą įjunkite tik darbinėje padėtyje.
- ▶ Dirbdami prietaisą visada stumkite nuo kūno.
- ▶ Nekiškite rankų po pjaunamu ruošiniu.
- ▶ Dirbkite saikingai spausdami ir pasirinkite tinkamą pjovimo greitį, ypač pjudami didelio skersmens vamzdžius. Tai leis išvengti prietaiso perkaitimo.
- ▶ Visada naudokite reikiamo ilgio pjūklelį. Per visą savo eigą pjūklelis turi likti išsikišęs iš ruošinio.
- ▶ Niekada nepjaukite nežinomų medžiagų ir nežinomose vietose, nuo pjūvio linijos viršuje ir apačioje pašalinkite kliūtis.
  - ▶ Atsitrenkęs į kokį nors daiktą, pjūklelis gali sukelti atatranką.
- ▶ Rankas laikykite padėtyje, kurioje galėtumėte perimti atatranks jėgas.



- ▶ Prietaisas prispaudimo trinkele turi būti prispaustas prie apdirbamo ruošinio. Tai užtikrina optimalų ir saugų darbą.
- ▶ Visada būkite pjūklelio šone, dirbant Jūsų kūnas neturi būti pjūklelio linijoje. Veikiant atatranks jėgai pjūklas gali staiga pajudėti atgal!
- ▶ Jei pjūklelis stringa arba Jūs nutraukiate darbus, išjunkite pjūklą ir ramiai palaikykite ruošinyje, kol pjūklelis visiškai sustos. Niekada nebandykite išimti pjūklą iš ruošinio arba traukti jį atgal, kol pjūklelis dar juda, gali kilti atatranka.
- ▶ Jei norite iš naujo įjungti pjūklą, kuris yra ruošinyje, nustatykite pjūklelį pjovimo plyšyje ir patikrinkite, ar pjūklelio dantys neužstrigę ruošinyje.
- ▶ Ypač atsargiai pjaukite angas sienose ar kitose mažai žinomose vietose. Iš viršaus įleidžiamas pjūklelis gali paliesti paslėptus objektus, užsiblokuoti ir sukelti atatranką.
- ▶ Prietaisas nėra sandėliuodami ir transportuodami, suaktyvinkite transportinės apsaugos įtaisą.
- ▶ Laikykitės gamintojo nurodymų dėl pjūklelių naudojimo ir saugojimo.
- ▶ Vykdydami sienų ar grindų pragręžimo ar pramušimo kiaurai darbus, apsaugokite kitoje pusėje esančią zoną.
- ▶ Prieš pradėdami dirbti patikrinkite, ar darbo zonoje nėra paslėptų elektros laidų, dujų ar vandentiekio vamzdžių. Netyčia pažeidus elektros kabelį, dujų ar vandens vamzdį, išorinėse metalinėse prietaiso dalyse taip pat gali atsirasti įtampa, kelianti elektros smūgio pavojų, arba gali iškilti sproginimo pavojus.
- ▶ Pjaustydami vamzdynus, prietaisą laikykite aukščiau pjaunamo vamzdžio.
  - ▶ Prietaisas nėra apsaugotas nuo drėgmės prasiskverbimo. Ištekantis skystis gali prietaise sukelti trumpąjį jungimą.
- ▶ Pjaudami vamzdžius įsitikinkite, kad juose nebėra skysčių. Jeigu reikia, vamzdžius ištuštinkite.

## 2.4 Su akumulatoriais elgtis atsargiai

- ▶ **Laikykitės žemiau pateiktų saugaus naudojimo ir darbo su ličio jonų akumulatoriais saugos nuorodu.** Nesilaikant šių nurodymų, galimas odos sudirginimas, sunkūs sužalojimai dėl esdinančio poveikio, cheminiai nudegimai, gaisro ir / arba sproginimo pavojus.
- ▶ Akumulatorius naudokite tik nepriekaištingos techninės būklės.
- ▶ Kad išvengtumėte akumulatoriaus pažeidimų ir sveikatai labai kenksmingų skysčių ištekėjimo, su akumulatoriumi elkitės labai atsargiai!
- ▶ Akumulatorius draudžiama modifikuoti ar kaip nors kitaip jais manipuluoti!
- ▶ Akumulatorius draudžiama ardyti, spausti, kaitinti iki aukštesnės kaip 80 °C (176 °F) temperatūros arba deginti.
- ▶ Nenaudokite ir neįkraukite akumuliatorių, kurie buvo sutrenkti arba kaip nors kitaip pažeisti. Reguliariai tikrinkite, ar nėra akumulatoriaus pažeidimo požymių.
- ▶ Niekada nenaudokite utilizuotų arba remontuotų akumuliatorių.
- ▶ Akumulatoriaus arba akumulatorinio elektrinio įrankio niekada nenaudokite vietoje plaktuko.
- ▶ Saugokite akumuliatorius nuo tiesioginių saulės spindulių, aukštesnės temperatūros, kibirkščių ir atviros ugnies. Tai gali sukelti sproginimą.
- ▶ Baterijos polių nelieskite pirštais, įrankiais, papuošalais ar kitokiais elektrai laidžiais daiktai. Tai gali pažeisti akumuliatorių, taip pat padaryti materialinių nuostolių ir sužaloti.
- ▶ Saugokite akumuliatorius nuo lietaus, drėgmės bei skysčių. Įsiskverbusi drėgmė gali sukelti trumpąjį jungimą, elektros smūgį, nudegimą, gaisrą ir sproginimą.
- ▶ Naudokite tik šio tipo akumulatoriams skirtus kroviklius ir elektrinius įrankius. Laikykitės atitinkamoje naudojimo instrukcijoje pateiktų duomenų.
- ▶ Nenaudokite ir nelaikykite akumulatoriaus sprogioje aplinkoje.
- ▶ Jeigu į rankas paimtas akumulatorius atrodo karštas, jis gali būti sugedęs. Padėkite akumuliatorių matomoje, nedegioje vietos pakankamu atstumu nuo degių medžiagų. Leiskite akumuliatoriui atvėsti. Jei akumuliatorius po valandos vis dar yra per karštas paimti į rankas, jis yra sugedęs. Kreipkitės į **Hilti** techninės priežiūros centrą, arba perskaitykite šį dokumentą „**Hilti** ličio jonų akumuliatorių saugos ir naudojimo nurodymai“.



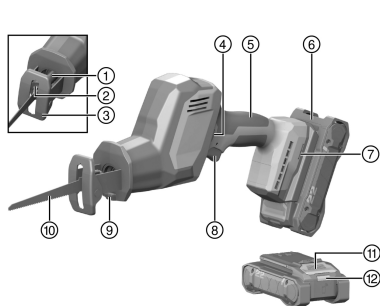
Laikykitės specialiųjų direktyvų, galiojančių ličio jonų akumuliatorių transportavimui, sandėliavimui ir naudojimui.

Perskaitykite **Hilti** ličio jonų akumuliatorių saugos ir naudojimo nurodymus, kuriuos rasite nuske-  
navę QR kodą, esantį šios naudojimo instrukcijos gale.



### 3 Aprašymas

#### 3.1 Prietaiso vaizdas



- ① Pjūklelio fiksavimo įvorė
- ② Pjūklelio griebtuvas
- ③ Prispaudimo trinkelė
- ④ Transportinės apsaugos įtaisas
- ⑤ Rankena
- ⑥ Akumuliatorius
- ⑦ Montavimo anga, skirta priedui
- ⑧ Valdymo jungiklis
- ⑨ Šviesos diodas darbo zonai apšviesti (šviesos diodas)
- ⑩ Pjūklelis
- ⑪ Akumuliatoriaus atblokavimo mygtukas
- ⑫ Akumuliatoriaus būsenos indikatorius

#### 3.2 Naudojimas pagal paskirtį

Aprašytasis prietaisas yra akumuliatorinis tiesinis pjūklas. Jis yra skirtas medienai, į medieną panašioms ir metalinėms gamybinėms medžiagoms, plytoms ir plastikams pjauti.

Prietaisas yra skirtas valdyti viena ranka.

- Su šiuo prietaisu naudokite tik B 22 serijos **Hilti** Nuron ličio jonų akumuliatorius. Optimaliam našumui **Hilti** rekomenduoja šiam prietaisui šios naudojimo instrukcijos gale esančioje lentelėje nurodytus akumuliatorius.
- Šiems akumuliatoriams įkrauti naudokite tik šios naudojimo instrukcijos gale esančioje lentelėje nurodytų serijų **Hilti** kroviklius.

#### 3.3 Netinkamas naudojimas

- ▶ Nepjaukite betono, dujų betono, natūralių akmenų ar apdailos plytelių.
- ▶ Nenaudokite prietaiso pjauti vamzdžiams, kuriuose dar yra skysčio.
- ▶ Nepjaukite nežinomų medžiagų ir nežinomose vietose.

#### 3.4 Tiekiamas komplektas

Tiesinis pjūklas, naudojimo instrukcija.

Daugiau Jūsų turimam prietaisui skirtų sisteminių reikmenų rasite vietinėje **Hilti Store** arba tinklalapyje [www.hilti.group](http://www.hilti.group)

#### 3.5 Ličio jonų akumuliatoriaus rodmenys

**Hilti** Nuron ličio jonų akumuliatoriai gali parodyti įkrovos būklę, pranešimus apie klaidą ir akumuliatoriaus būklę.

##### 3.5.1 Įkrovos būklės ir pranešimų apie klaidas rodmenys

#### ĮSPĖJIMAS

##### Sužalojimo pavojus krentančiu akumuliatoriumi!

- ▶ Kai akumuliatorius įstatytas, spausdami atblokavimo mygtuką įsitikinkite, kad vėl tinkamai užfiksavote akumuliatorių naudojamame prietaise.

Kad gautumėte vieną iš šių rodmenų, spustelėkite akumuliatoriaus atblokavimo mygtuką.

Įkrovos būklė bei galimos triktys rodomos nuolat, kol prijungtas prietaisas yra įjungtas.

Būsena	Reikšmė
Keturi (4) šviesos diodai nuolat šviečia žaliai	Įkrovos lygis: nuo 100 iki 71 %
Trys (3) šviesos diodai nuolat šviečia žaliai	Įkrovos lygis: nuo 70 iki 51 %
Du (2) šviesos diodai nuolat šviečia žaliai	Įkrovos lygis: nuo 50 iki 26 %





Būsena	Reikšmė
Vienas (1) šviesos diodas nuolat šviečia žaliai	Įkrovos lygis: nuo 25 iki 10 %
Vienas (1) šviesos diodas lėtai mirksi žaliai	Įkrovos lygis: < 10 %
Vienas (1) šviesos diodas greitai mirksi žaliai	Ličio jonų akumuliatorius yra visiškai išsikrovęs. Akumuliatorių įkraukite. Jei šviesos diodai po akumuliatoriaus įkrovimo vis dar greitai mirksi, kreipkitės į <b>Hilti</b> techninės priežiūros centrą.
Vienas (1) šviesos diodas greitai mirksi geltonai	Ličio jonų akumuliatorius arba su juo sujungtas prietaisas yra veikiamas per didelės apkrovos, yra per karštas, per šaltas arba įvykęs kitoks gedimas. Prietaisą ir akumuliatorių nustatykite į rekomenduojamą darbinę temperatūrą ir naudodami neperkraukite prietaiso. Jei pranešimas rodomas ir toliau, prašome kreiptis į <b>Hilti</b> techninės priežiūros centrą.
Vienas (1) šviesos diodas šviečia geltonai	Ličio jonų akumuliatorius ir su juo susijęs prietaisas yra nesuderinami. Kreipkitės į <b>Hilti</b> techninės priežiūros centrą.
Vienas (1) LED šviesos diodas greitai mirksi raudonai	Ličio jonų akumuliatorius užblokuotas, jo nebegalima naudoti. Kreipkitės į <b>Hilti</b> techninės priežiūros centrą.

### 3.5.2 Akumuliatoriaus būsenos rodmenys

Norėdami užklausti apie akumuliatoriaus būklę, ilgiau nei tris sekundes spauskite atblokovimo mygtuką. Sistema neatpažįsta galimo netinkamo baterijos veikimo, kuris yra neleistino baterijos naudojimo pasekmė, pvz., jai nukritus, ją pažeidus arba esant išorinių pažeidimų dėl karščio.

Būsena	Reikšmė
Visi šviesos diodai šviečia kaip signalinės lemputės, ir po to (1) vienas šviesos diodas nuolat šviečia žalia spalva.	Akumuliatorių galima naudoti toliau.
Visi šviesos diodai šviečia kaip signalinės lemputės, ir po to (1) vienas šviesos diodas greitai mirksi geltona spalva.	Užklausa dėl akumuliatoriaus būklės negalėjo būti baigta. Procedūrą pakartokite arba kreipkitės į <b>Hilti</b> techninės priežiūros centrą.
Visi šviesos diodai šviečia kaip signalinės lemputės, ir po to (1) vienas šviesos diodas nuolat šviečia raudona spalva.	Jei prijungtą prietaisą galima naudoti toliau, likusi akumuliatoriaus talpa yra mažesnė kaip 50%. Jei prijungto prietaiso toliau naudoti nebegalima, vadinasi akumuliatoriaus eksploataavimo laikas baigėsi ir jį reikia pakeisti. Kreipkitės į <b>Hilti</b> techninės priežiūros centrą.

## 4 Techniniai duomenys

### 4.1 Tiesinis pjūklas

	SR 4-22
Prietaiso karta	02
Nominalioji maitinimo įtampa	21,6 V
Svoris pagal EPTA Procedure 01 be akumuliatoriaus	2 kg
Eigų dažnis	0 aps./min. ... 3 000 aps./min.
Judiesio eigos ilgis	23,2 mm
Standartinių įrankių įtvirtinimas, nenaudojant raktų	1/2 in
Laikymo temperatūra	-20 °C ... 70 °C
Darbinė aplinkos temperatūra	-17 °C ... 60 °C



## 4.2 Akumulatorius

Akumulatoriaus darbinė įtampa	21,6 V
Akumulatoriaus svoris	Žr. šios naudojimo instrukcijos gale.
Darbinė aplinkos temperatūra	-17 °C ... 60 °C
Laikymo temperatūra	-20 °C ... 40 °C
Akumulatoriaus temperatūra, kai pradinama įkrauti	-10 °C ... 45 °C

## 4.3 Informacija apie triukšmą ir vibracijos reikšmės

Šiuose nurodymuose pateiktos garso slėgio ir vibracijos reikšmės yra išmatuotos taikant standartizuotą matavimo metodą ir gali būti naudojami elektriniams įrankiams palyginti tarpusavyje. Jos taip pat tinka šių veiksmų poveikiui iš anksto įvertinti.

Nurodytieji duomenys yra susieti su pagrindinėmis šio elektrinio įrankio naudojimo sritimis. Jeigu elektrinis įrankis bus naudojamas kitaip, su skirtingais keičiamaisiais įrankiais arba bus nepakankamai techniškai prižiūrimas, šie duomenys gali skirtis nuo nurodytųjų. Tai gali gerokai padidinti šių veiksmų poveikį per visą darbo laikotarpį.

Norint tiksliai įvertinti poveikį, reikėtų įvertinti ir laiką, kai elektrinis prietaisas yra išjungtas, arba, nors ir įjungtas, juo faktiškai nedirbama. Toks įvertinimas gali smarkiai sumažinti poveikio per visą darbo laikotarpį reikšmę.

Imkitės papildomų saugos priemonių, kad darbuotojas būtų apsaugotas nuo triukšmo ir / arba vibracijos poveikio, pavyzdžiui, reikalaukite tinkamos elektrinio įrankio ir keičiamųjų įrankių techninės priežiūros, pasirūpinkite, kad darbuotojų rankos visada būtų šiltos, užtikrinkite tinkamą darbo organizavimą.

Išsamios informacijos apie čia taikomų EN 62841 standartų versijas rasite atitikties deklaracijos vaizde 219.

### Informacija apie triukšmą

	SR 4-22
Garso galios lygis ( $L_{WA}$ )	95 dB(A)
Garso galios lygio paklaida ( $K_{WA}$ )	5 dB(A)
Garso slėgio lygis ( $L_{pA}$ )	87 dB(A)
Garso slėgio lygio paklaida ( $K_{pA}$ )	5 dB(A)

### Informacija apie vibraciją

Vibracijų emisijos reikšmė pjaunant medienos drožlių plokštes ( $a_{h,b}$ )	B 22-55	12,8 m/s <sup>2</sup>
	B 22-85	11,1 m/s <sup>2</sup>
Vibracijų emisijos reikšmė pjaunant medines sijas ( $a_{h,WB}$ )	B 22-55	11,5 m/s <sup>2</sup>
	B 22-85	12,2 m/s <sup>2</sup>
Paklaida (K)		1,5 m/s <sup>2</sup>

## 5 Naudojimas

### 5.1 Akumulatoriaus įkrovimas

1. Prieš pradėdami krauti, perskaitykite kroviklio naudojimo instrukciją.
2. Atkreipkite dėmesį, kad akumulatoriaus ir kroviklio kontaktai turi būti švarūs ir sausi.
3. Akumuliatorių įkraukite leistinu krovikliu. 100

### 5.2 Akumulatoriaus įdėjimas

#### ĮSPĖJIMAS

#### Sužalojimo pavojus dėl trumpojo jungimo arba krintančio akumulatoriaus!

- ▶ Prieš įdėdami akumuliatorių įsitikinkite, kad jo ir prietaiso kontaktuose nėra pašalinių daiktų.
- ▶ Įsitikinkite, kad akumuliatorių visada tinkamai užsifiksavo.

1. Prieš pirmąjį kartą naudodami, akumuliatorių pilnai įkraukite.
2. Akumuliatorių stumkite į prietaisą, kol jis girdimai užsifiksuos.



3. Patikrinkite, ar akumulatorius gerai užfiksuotas prietaise.

### 5.3 Akumulatoriaus išėmimas

1. Spauskite akumulatoriaus atblokavimo mygtuką.
2. Iš gaminio išimkite akumuliatorių.

### 5.4 Apsaugos nuo kritimo iš aukščio priemonė

#### ĮSPĖJIMAS

**Sužalojimo pavojus** krentant įrankiui ir/arba papildomai įrangai!

- ▶ Naudokite tik Jūsų prietaisui rekomenduojamą **Hilti** įrankio laikantįjį lyną.
- ▶ Kiekvieną kartą prieš naudodami patikrinkite įrankio laikančiojo lyno tvirtinimo taško galimus pažeidimus.



Laikykitės Jūsų šalyje galiojančių direktyvų dėl darbo aukštyje.

Kaip apsaugą nuo nukritimo šiam gaminiui naudokite tik **Hilti** apsaugos nuo nukritimo įtaiso #2293133 ir **Hilti** įrankio laikančiojo lyno #2261970 derinį.

- ▶ Apsaugos nuo nukritimo įtaisą pritvirtinkite papildomos įrangos montavimo angose. Patikrinkite, ar patikimai laikosi.
- ▶ Vieną įrankio laikančiojo lyno karabino kablį pritvirtinkite prie apsaugos nuo nukritimo įtaiso, o kitą karabino kablį – prie laikančiosios struktūros. Patikrinkite, ar abu karabino kabliai patikimai laikosi.



Laikykitės **Hilti** apsaugos nuo nukritimo įtaiso ir **Hilti** įrankio laikančiojo lyno naudojimo instrukcijų.

### 5.5 Pjūklelio įdėjimas



Naudokite tik pjūklelius su 1/2" kotu.

1. Patikrinkite, ar įrankio kotas yra švarus ir šiek tiek pateptas tepalu. Jei reikia, kotą nuvalykite ir patepkite tirštu tepalu.
2. Įrankio griebtuvo fiksavimo įvorę pasukite prieš laikrodžio rodyklę ir laikykite nuspaustą.
3. Pjūklelį iš priekio įstumkite į įrankio griebtuvą.
4. Fiksavimo įvorę paleiskite slysti atgal, kol garsiai užsifiksuos.
5. Pjūklelį patraukite ir patikrinkite, ar užsifiksavo.

### 5.6 Pjūklelio išėmimas

#### ATSARGIAI

**Sužalojimo pavojus!** Keičiamasis įrankis gali būti karštas ir / arba turėti aštrias briaunas.

- ▶ Keisdami keičiamąjį įrankį, mūvėkite apsaugines pirštines.
- ▶ Karšto keičiamojo įrankio niekada nedėkite ant degių paviršių.

1. Įrankio griebtuvo fiksavimo įvorę pasukite prieš laikrodžio rodyklę ir laikykite nuspaustą.
2. Traukdami pirmyn, išimkite pjūklelį iš įrankio griebtuvo.
3. Fiksavimo įvorę atleiskite.

## 6 Naudojimas

Laikykitės šioje instrukcijoje ir ant prietaiso pateiktų saugos nurodymų ir įspėjimų.



**6.1 Pjovimas****⚠ IŠPĖJIMAS****Sužalojimo pavojus dėl iš inercijos tebejudančio pjūklelio !**

- ▶ Prietaisą nukelkite nuo ruošinio tik tada, kai jis visiškai sustoja.
- ▶ Prieš prietaisą padėdami, palaukite, kol jis visiškai sustos.

1. Išaktyvinkite transportinės apsaugos įtaisą ir spauskite valdymo jungiklį.
2. Baigę pjovimo operaciją, valdymo jungiklį atleiskite.
3. Suaktyvinkite transportinės apsaugos įtaisą.

**7 Prižiūra ir einamasis remontas****⚠ IŠPĖJIMAS****Sužalojimo pavojus kai įstatytas akumulatorius !**

- ▶ Prieš pradėdami bet kokius techninės priežiūros ir einamojo remonto darbus, akumuliatorių iš prietaiso išimkite!

**Prietaiso priežiūra**

- Prilipusius nešvarumus atsargiai nuvalykite.
- Jei yra, vėdinimo plyšius atsargiai išvalykite sausu minkštu šepėčiu.
- Korpusą valykite tik šiek tiek sudrėkinta šluoste. Nenaudokite priemonių, kurių sudėtyje yra silikono, nes jos gali pakenkti plastikinėms detalėms.
- Reguliariai valyti iš išorės ir sutepti įrankio griebtuvą. Tam naudoti **Hilti** purškalaį 314648.
- Prietaiso kontaktams nuvalyti naudokite švarią, sausą šluostę.

**Ličio jonų akumuliatorių priežiūra**

- Niekada nenaudokite baterijos, jei jos vėdinimo plyšiai yra užsikimšę. Vėdinimo plyšius atsargiai išvalykite sausu, minkštu šepėčiu.
- Saugokite akumuliatorių nuo bereikalingo dulkių ir nešvarumų poveikio. Saugokite akumuliatorių nuo didelės drėgmės (pvz., nepanardinkite į vandenį ir nepalikite stovėti lietuje).  
Jei akumuliatorius peršlapo, elkitės su juo kaip su pažeistu akumuliatoriumi. Izoliuokite jį nedegiame konteineryje ir kreipkitės į **Hilti** techninės priežiūros centrą.
- Saugokite akumuliatorių nuo pašalinės alyvos ir tepalų. Saugokite, kad ant akumuliatoriaus nenusėtų dulkių ir nešvarumų. Akumuliatorių valykite sausu, minkštu šepėčiu arba švaria, sausa šluoste. Nenaudokite priemonių, kurių sudėtyje yra silikono, nes jos gali pakenkti plastikinėms detalėms. Nelieskite akumuliatoriaus kontaktų ir nepašalinkite nuo kontaktų gamykloje užtepto tepalo.
- Korpusą valykite tik šiek tiek sudrėkinta šluoste. Nenaudokite priemonių, kurių sudėtyje yra silikono, nes jos gali pakenkti plastikinėms detalėms.

**Einamasis remontas**

- Reguliariai tikrinkite, ar matomos dalys nėra pažeistos ir ar valdymo elementai veikia neprikaištingai.
- Nenaudokite pažeisto prietaiso arba prietaiso su veikimo trikdžiais. Prietaisą nedelsdami pristatykite remontuoti į **Hilti** techninės priežiūros centrą.
- Atlikę priežiūros ir remonto darbus uždėkite visus apsauginiai įtaisus ir patikrinkite, ar jie neprikaištingai veikia.



Kad eksploatacija būtų patikima, naudokite tik originalias atsargines dalis ir eksploatacines medžiagas. **Hilti** aprobuotas atsargines dalis, eksploatacines medžiagas ir reikmenis savo prietaisui rasite vietinėje **Hilti Store** arba tinklalapyje [www.hilti.group](http://www.hilti.group)

**8 Transportavimas ir sandėliavimas****Akumuliatorių įrankių ir akumuliatorių transportavimas****⚠ ATSARGIAI****Atsitiktinis įjungimas transportuojant !**

- ▶ Savo prietaisus visada transportuokite tik išėmę akumulatorius!
- ▶ Išimkite akumuliatorių/akumulatorius.



- ▶ Akumuliatorių niekada netransportuokite sumetę į krūvą su kitais daiktais. Transportuojamus akumuliatorius būtina saugoti nuo stiprių smūgių ir vibracijos, taip pat izoluoti nuo bet kokių elektrai laidžių medžiagų ir kitų akumuliatorių, kad jie nesiliestų su kitų akumuliatorių poliariais ir nesukeltų trumpojo jungimo. **Laikykitės eksploataavimo vietoje galiojančių akumuliatorių transportavimo direktyvų.**
- ▶ Akumuliatorius draudžiama siųsti paštu. Jei norite siųsti nepažeistus akumuliatorius, kreipkitės į pervedimą įmonę.
- ▶ Prieš kiekvieną naudojimą ir po ilgesnio transportavimo patikrinkite, ar prietaisas ir akumulatoriai nepažeisti.

### Akumuliatorių įrankių ir akumuliatorių sandėliavimas

#### ĮSPĖJIMAS

#### Atsitiktinis pažeidimas dėl sugedusių ar išsiliejusių akumuliatorių !

- ▶ Savo prietaisus visada laikykite tik išmėg akumuliatorius!
- ▶ Prietaisais ir akumuliatorių laikykite vėsioje ir sausoje vietoje. Atkreipkite dėmesį į ribines temperatūros vertes, nurodytas skyriuje „Techniniai duomenys“ 101.
- ▶ Akumuliatoriaus nelaikykite ant kroviklio. Akumuliatorių visada nuimkite nuo kroviklio po įkrovimo proceso.
- ▶ Nelaikykite akumuliatoriaus saulėje, ant šilumos šaltinių ar už lango stiklo.
- ▶ Prietaisą ir akumuliatorius laikykite vaikams bei neįgaliesiems asmenims neprieinamoje vietoje.
- ▶ Prieš kiekvieną naudojimą ir po ilgesnio laikymo patikrinkite, ar prietaisas ir akumulatoriai nepažeisti.

## 9 Pagalba sutrikus veikimui

Visų sutrikimų atvejais atkreipkite dėmesį į akumuliatoriaus įkrovos lygio ir sutrikimų rodmenį. Žr. skyrių **Ličio jonų akumuliatoriaus rodmenys**.

Pasitaikius sutrikimų, kurie nėra aprašyti šioje lentelėje arba kurių negalite pašalinti patys, kreipkitės į **Hilti** techninės priežiūros centrą.


Sutrikimas	Galima priežastis	Sprendimas
Akumuliatorius išsikrauna greičiau nei paprastai.	Akumuliatoriaus būklė nėra optimali.	▶ Užklauskite akumuliatoriaus būklės.  100
Akumuliatorius neužsifiksuoja girdimu spragtelėjimu.	Užterštas akumuliatoriaus fiksatorius.	▶ Fiksatorių išvalykite ir iš naujo įdėkite akumuliatorių.
Šviesos diodai nieko nerodo.	Akumuliatorius netinkamai įstatytas.	▶ Užfiksukite akumuliatorių – turi pasigirsti spragtelėjimas.
	Akumuliatorius sugedęs.	▶ Kreipkitės į <b>Hilti</b> techninės priežiūros centrą.
Pjūklelio negalima išimti iš įrankio griebtuvu.	Fiksavimo svirtis paspausta ne iki galo.	▶ Fiksavimo svirtį sukite tol, kol atsirems, ir pjūklelį išimkite.
	Įrankio griebtuvas pripildytas pjovimo liekanų.	▶ Pašalinkite pjovimo liekanas ir reguliariai valykite įrankio griebtuvą iš išorės. Prietaiso priežiūra.  104
Prietaisas veikia ne visa galia.	Ne iki galo nuspaustas valdymo jungiklis.	▶ Valdymo jungiklį spauskite iki galo.
	Akumuliatorius išsekęs.	▶ Akumuliatorių pakeiskite, o išsekusį – įkraukite.
Pjūklelio negalima išimti iš įrankio griebtuvu.	Fiksavimo įvorė pasukta ne iki atramos.	▶ Fiksavimo įvorę pasukite iki atramos ir pjūklelį išimkite.



**⚠️ ĮSPĖJIMAS**

**Sužalojimo pavojus dėl netinkamo utilizavimo!** Išėinančios dujos ir ištekantis skystis kelia pavojų sveikatai.

- ▶ Pažeistų akumuliatorių nesiųskite paštu ir nepervežkite!
- ▶ Kad būtų išvengta trumpojo jungimo, jungtis uždenkite elektrai nelaidžia medžiaga.
- ▶ Akumuliatorius utilizuokite taip, kad jie negalėtų patekti į vaikų rankas.
- ▶ Akumuliatorių pristatykite utilizuoti į savo **Hilti Store** arba kreipkitės į vietinę kompetentingą utilizavimo įmonę.

 Didelė **Hilti** prietaisų dalis yra pagaminta iš medžiagų, kurias galima perdirbti. Būtina antrinio perdirbimo sąlyga yra tinkamas medžiagų išrūšiuojimas. Daugelyje šalių **Hilti** priims Jūsų nebenaudojamą prietaisą perdirbti. Apie tai galite pasiteirauti artimiausiame **Hilti** techninės priežiūros centre arba savo prekybos konsultanto.



- ▶ Elektrinių įrankių, elektroninių prietaisų ir akumuliatorių neišmeskite į buitinius šiukšlynus!

**11 Gamintojo teikiama garantija**

- ▶ Kilus klausimų dėl garantijos sąlygų, kreipkitės į vietinį **Hilti** partnerį.

**12 Daugiau informacijos**

Daugiau informacijos apie valdymą, techniką, aplinką ir perdirbimą rasite šiuo adresu: [qr.hilti.com/manual/?id=2243480&id=2243482](http://qr.hilti.com/manual/?id=2243480&id=2243482)

Šią nuorodą taip pat rasite dokumentacijos gale kaip QR kodą.

**Перевод оригинального руководства по эксплуатации****1 Данные руководства по эксплуатации****1.1 К настоящему руководству по эксплуатации****Импортер и уполномоченная изготовителем организация**

- (RU) Российская Федерация  
АО "Хилти Дистрибьюшн ЛТД", 141402, Московская область, г. Химки, ул. Ленинградская, стр. 25, комната 15.26
- (BY) Республика Беларусь  
ИООО "Хилти БиУай", 222750, Минская область, Дзержинский район, Р-1, 18-й км, 2 (около д. Слободка), помещение 1-34
- (KZ) Республика Казахстан  
ТОО "Хилти Казахстан", 050057, г. Алматы, Бостандыкский район, ул. Тимирязева, дом 42/15, литер 012 (корпус15)



- (AM) Республика Армения  
ООО "ЭЙЧ-КОН", 0070, г. Ереван, ул. Ерванда Кочара 19/28

Страна производства: см. маркировочную табличку на оборудовании.

Дата производства: см. маркировочную табличку на оборудовании.

Соответствующий сертификат можно найти по адресу: [www.hilti.ru](http://www.hilti.ru)

Специальных требований к условиям хранения, транспортировки и использования, кроме указанных в руководстве по эксплуатации, нет.

Срок службы изделия составляет 5 лет.

- Предупреждение! Перед использованием изделия убедитесь в том, что вы полностью изучили прилагаемое к нему руководство по эксплуатации, включая приводимые там инструкции, указания по технике безопасности и предупреждения, иллюстрации и технические характеристики. В частности, ознакомьтесь со всеми инструкциями, указаниями по технике безопасности и предупреждениями, иллюстрациями, техническими характеристиками, а также компонентами и функциями. Несоблюдение этих требований может привести к поражению электрическим током, возгоранию и/или серьезным травмам. Храните руководство по эксплуатации, включая все инструкции, указания по технике безопасности и предупреждения, для последующего использования.
- Изделия предназначены для профессионального использования, поэтому они должны обслуживаться и ремонтироваться только уполномоченным и обученным персоналом. Этот персонал должен пройти специальный инструктаж по технике безопасности. Использование изделия и его оснастки не по назначению или его эксплуатация необученным персоналом могут представлять опасность.
- Прилагаемое руководство по эксплуатации соответствует уровню технического прогресса на момент сдачи в печать. Актуальная версия всегда доступна в режиме онлайн на веб-сайте Hilti с описанием изделия. Для этого перейдите по ссылке или QR-коду, приводимым в настоящем руководстве по эксплуатации с обозначением символом .
- При смене владельца обязательно передавайте настоящее руководство по эксплуатации вместе с изделием.

## 1.2 Пояснение к знакам

### 1.2.1 Предупреждающие указания

Предупреждающие указания служат для предупреждения об опасностях при обращении с изделием. Используются следующие сигнальные слова:

#### ОПАСНО

##### ОПАСНО !

- ▶ Общее обозначение непосредственной опасной ситуации, которая влечет за собой тяжелые травмы или смертельный исход.

#### ПРЕДУПРЕЖДЕНИЕ

##### ПРЕДУПРЕЖДЕНИЕ !

- ▶ Общее обозначение потенциально опасной ситуации, которая может повлечь за собой тяжелые травмы или смертельный исход.

#### ОСТОРОЖНО

##### ОСТОРОЖНО !

- ▶ Общее обозначение потенциально опасной ситуации, которая может повлечь за собой травмы или повреждение оборудования (материальный ущерб).

### 1.2.2 Символы, используемые в руководстве

В этом руководстве используются следующие символы:

	Соблюдать руководство по эксплуатации
	Указания по эксплуатации и другая полезная информация
	Обращение с материалами, пригодными для вторичной переработки



	Не выбрасывайте электроинструменты и аккумуляторы вместе с обычным мусором!
	Hilti Литий-ионный аккумулятор (Li-Ion)
	Зарядное устройство Hilti

### 1.2.3 Символы на изображениях

На изображениях используются следующие символы:

	Эти цифры указывают на соответствующее изображение в начале данного руководства.
	Нумерация на изображениях отображает порядок выполнения рабочих операций и может отличаться от нумерации, используемой в тексте.
	Номера позиций используются в <b>обзорном</b> изображении. В <b>обзоре изделия</b> они указывают на номера в экспликации.
	Этот знак должен привлечь особое внимание пользователя при обращении с изделием.

### 1.3 Символы в зависимости от изделия

#### 1.3.1 Символы на изделии

На изделии могут использоваться следующие символы:

RPM	Частота ходов в минуту
$n_0$	Частота ходов в холостом режиме
	Постоянный ток
	Изделие поддерживает технологию NFC, совместимую с платформами iOS и Android.
Li-Ion	Литий-ионный аккумулятор
	Никогда не используйте аккумулятор в качестве ударного инструмента.
	Не допускайте падения аккумулятора. Не используйте аккумулятор, который получил повреждения вследствие удара или каким-либо иным образом.

## 2 Безопасность

### 2.1 Общие указания по технике безопасности для электроинструментов

**⚠ ПРЕДУПРЕЖДЕНИЕ** Изучите все указания по технике безопасности, инструкции, иллюстрации и технические данные, которые прилагаются к данному электроинструменту. Несоблюдение приводимых ниже указаний может привести к поражению электрическим током, пожару и/или тяжелым травмам.

**Сохраните все указания по технике безопасности и инструкции для следующего пользователя.** Используемый далее термин «электроинструмент» относится к электроинструменту, работающему от электрической сети (с кабелем электропитания) и от аккумулятора (без кабеля электропитания).

#### Безопасность рабочего места

- ▶ Следите за чистой и хорошей освещенностью на рабочем месте. Беспорядок на рабочем месте или плохое освещение могут привести к несчастным случаям.
- ▶ Не используйте электроустройство/электроинструмент во взрывоопасной зоне, где имеются горючие жидкости, газы или пыль. При работе электроустройство/электроинструмент искрит, и искры могут воспламенить пыль или пары/газы.
- ▶ Не разрешайте детям и посторонним приближаться к работающему электроустройству/электроинструменту. Отвлекаясь от работы, можно потерять контроль над электроустройством/электроинструментом.





## Электрическая безопасность

- ▶ **Соединительная вилка электроинструмента должна соответствовать розетке электросети. Не изменяйте конструкцию вилки! Не используйте переходные вилки с электроинструментами с защитным заземлением.** Использование оригинальных вилок и соответствующих им розеток снижает риск поражения электрическим током.
- ▶ **Избегайте непосредственного контакта с заземленными поверхностями, например с трубами, отопительными приборами, газо-/электропластинами и холодильниками.** При контакте с заземленными предметами возникает повышенный риск поражения электрическим током.
- ▶ **Предохраняйте электроинструменты от дождя или воздействия влаги.** В результате попадания воды в электроинструмент возрастает риск поражения электрическим током.
- ▶ **Не используйте кабель электропитания не по назначению, например для переноски электроинструмента, его подвешивания или для выдергивания вилки из розетки электросети. Защищайте кабель электропитания от воздействий высоких температур, масла, острых кромок или вращающихся деталей/узлов.** В результате повреждения или схлестывания кабелей электропитания повышается риск поражения электрическим током.
- ▶ **Если работы с электроинструментом выполняются на открытом воздухе, применяйте только удлинительные кабели, которые разрешено использовать вне помещений.** Использование удлинительного кабеля, пригодного для использования вне помещений, снижает риск поражения электрическим током.
- ▶ **Если избежать работы с электроинструментом в условиях влажности не представляется возможным, используйте автомат защиты от тока утечки.** Использование автомата защиты от тока утечки снижает риск поражения электрическим током.

## Безопасность персонала

- ▶ **Будьте внимательны, следите за своими действиями и серьезно относитесь к работе с электроинструментом. Не пользуйтесь электроинструментом, если вы устали или находитесь под действием наркотиков, алкоголя или медикаментов.** Незначительная ошибка при невнимательной работе с электроинструментом может стать причиной серьезного травмирования.
- ▶ **Используйте средства индивидуальной защиты и всегда надевайте защитные очки.** Использование средств индивидуальной защиты, например респиратора, защитной обуви на нескользящей подошве, защитной каски или защитных наушников, в зависимости от вида и условий эксплуатации электроинструмента, снижает риск травмирования.
- ▶ **Избегайте непреднамеренного включения электроинструмента. Убедитесь в том, что электроинструмент выключен, прежде чем подключить его к электропитанию и/или вставить аккумулятор, поднимать или переносить электроинструмент.** Ситуации, когда при переноске электроинструмента палец находится на выключателе или когда включенный электроинструмент подключается к электросети, могут привести к несчастным случаям.
- ▶ **Перед включением электроинструмента удалите регулировочные приспособления или гаечные ключи.** Рабочий инструмент или гаечный ключ, находящийся во вращающейся части электроинструмента, может стать причиной получения травм.
- ▶ **Старайтесь избегать неестественных поз при работе. Постоянно сохраняйте устойчивое положение и равновесие.** Это позволит лучше контролировать электроинструмент в непредвиденных ситуациях.
- ▶ **Носите спецодежду. Не надевайте очень свободную одежду или украшения. Оберегайте волосы, одежду и защитные перчатки от вращающихся узлов электроинструмента.** Свободная одежда, украшения и длинные волосы могут быть захвачены ими.
- ▶ **Если предусмотрено подсоединение устройств для удаления и сбора пыли, убедитесь в том, что они подсоединены и используются по назначению.** Использование пылеудаляющего аппарата снижает вредное воздействие пыли.
- ▶ **Не пребывайте в ложной уверенности в собственной безопасности и не пренебрегайте правилами техники безопасности для электроинструментов, даже если вы являетесь опытным пользователем электроинструмента.** Неосторожное обращение может в течение долей секунды стать причиной получения тяжелых травм.

## Использование и обслуживание электроинструмента

- ▶ **Не допускайте перегрузки электроинструмента. Используйте электроинструмент, предназначенный именно для данной работы.** Соблюдение этого правила обеспечит более высокое качество и безопасность работы в указанном диапазоне мощности.
- ▶ **Не используйте электроинструмент с неисправным выключателем.** Электроинструмент, включение или выключение которого затруднено, представляет опасность и должен быть отремонтирован.
- ▶ **Прежде чем приступить к регулировке электроинструмента, замене принадлежностей или перед перерывом в работе выньте вилку из розетки и/или аккумулятор из электроинстру-**



мента. Данная мера предосторожности позволит предотвратить непреднамеренное включение электроинструмента.

- ▶ **Храните неиспользуемые электроинструменты в местах, недоступных для детей. Не позволяйте использовать электроинструмент лицам, которые не ознакомлены с ним или не читали эти инструкции.** Электроинструменты представляют собой опасность в руках неопытных пользователей.
- ▶ **Бережно обращайтесь с электроинструментами и принадлежностями. Проверяйте безупречное функционирование подвижных частей, легкость их хода, целостность и отсутствие повреждений, которые могли бы отрицательно повлиять на работу электроинструмента. Сдавайте поврежденные части электроинструмента в ремонт до его использования.** Причиной многих несчастных случаев является несоблюдение правил технического обслуживания электроинструментов.
- ▶ **Необходимо следить за тем, чтобы режущие инструменты были острыми и чистыми.** Заклинивание содержащихся в надлежащем состоянии режущих инструментов происходит реже, ими легче управлять.
- ▶ **Применяйте электроинструмент, принадлежности (оснастку), рабочие инструменты и т. д. согласно данным указаниям. Учитывайте при этом рабочие условия и характер выполняемой работы.** Использование электроинструментов не по назначению может привести к опасным ситуациям.
- ▶ **Замасленные рукоятки и поверхности для хвата немедленно очищайте — они должны быть сухими и чистыми.** Скользкие рукоятки и поверхности для хвата не обеспечивают безопасное управление и контроль электроинструмента в непредвиденных ситуациях.

#### **Использование и обслуживание аккумуляторного инструмента**

- ▶ **Заряжайте аккумуляторы только с помощью зарядных устройств, рекомендованных изготовителем.** При использовании зарядного устройства для зарядки несоответствующих ему типов аккумуляторов существует опасность возгорания.
- ▶ **Используйте только оригинальные аккумуляторы, рекомендованные специально для этого электроинструмента.** Использование других аккумуляторов может привести к травмам и опасности возгорания.
- ▶ **Неиспользуемые аккумуляторы храните вдали от скрепок, монет, ключей, гвоздей, шурупов или других мелких металлических предметов, которые могут стать причиной замыкания контактов.** Замыкание контактов аккумулятора может привести к ожогам или возгоранию.
- ▶ **При неверном обращении с аккумулятором из него может вытечь электролит. Избегайте контакта с ним. При случайном контакте смойте водой. При попадании электролита в глаза немедленно обратитесь за помощью к врачу.** Вытекший из аккумулятора электролит может привести к раздражению кожи или ожогам.
- ▶ **Не используйте поврежденный или измененный аккумулятор.** Поврежденные или измененные аккумуляторы могут функционировать непредсказуемо и стать причиной возгорания, взрыва или травмирования.
- ▶ **Не подвергайте аккумулятор воздействию огня или слишком высоким температурам.** Огонь или температура свыше 130 °C могут спровоцировать взрыв аккумулятора.
- ▶ **Соблюдайте все указания по зарядке и никогда не заряжайте аккумулятор или аккумуляторный инструмент вне температурного диапазона, указанного в руководстве по эксплуатации.** Неправильная зарядка/зарядка вне указанного в руководстве по эксплуатации температурного диапазона могут привести к разрушению аккумулятора и повышают опасность возгорания.

#### **Сервис**

- ▶ **Доверяйте ремонт своего электроинструмента только квалифицированному персоналу, использующему только оригинальные запчасти.** Этим обеспечивается поддержание электроинструмента в безопасном состоянии.
- ▶ **Категорически запрещается выполнять обслуживание поврежденных аккумуляторов.** Все технические работы с аккумуляторами должны выполняться только производителем или авторизованными сервисными мастерскими.

#### **2.2 Указания по технике безопасности для пил с подвижным пильным полотном**

- ▶ **При опасности повреждения рабочим инструментом скрытой электропроводки держите электроинструмент за изолированные поверхности.** При контакте с токопроводящей линией металлические части электроинструмента также находятся под напряжением, что может привести к поражению электрическим током.



- ▶ **Закрепляйте и фиксируйте заготовку с помощью струбцин или иным надежным способом на прочном основании.** Если удерживать заготовку только рукой или прижимать к туловищу, она остается подвижной, что может привести к потере контроля.

### 2.3 Дополнительные указания по технике безопасности

- ▶ Используйте электроинструмент и его принадлежности только в технически исправном состоянии.
- ▶ Внесение изменений в конструкцию электроинструмента/принадлежностей или его/их модификация категорически запрещаются.
- ▶ Пыль, возникающая при шлифовании, абразивной обработке, резке и сверлении, может содержать опасные химические вещества. Несколько примеров материалов, содержащих опасные вещества: свинец или краски на свинцовой основе; кирпич, бетон и другие материалы для кладки, природный камень и другие силикатсодержащие изделия; определенные виды древесины, такие как дуб, бук и химически обработанная древесина; асбест или материалы, содержащие асбест. Определите степень воздействия на оператора и окружающих лиц по классу опасности обрабатываемых материалов. Примите необходимые меры для обеспечения безопасного уровня воздействия, например, путем использования подходящих систем пылеудаления или ношения подходящих средств защиты органов дыхания. Общие меры по снижению опасного воздействия:
  - ▶ Работайте в хорошо проветриваемом помещении.
  - ▶ Избегайте длительного контакта с пылью.
  - ▶ Удаляйте пыль с лица и тела.
  - ▶ Носите защитную одежду и промывайте открытые участки, подверженные воздействию, водой с мылом.
- ▶ Опасность травмирования вследствие падения инструментов и/или принадлежностей. Перед началом работы убедитесь в том, что смонтированная принадлежность надежно закреплена.
- ▶ Всегда следите за чистотой вентиляционных прорезей. Опасность возгорания вследствие перекрывания вентиляционных прорезей!
- ▶ Чтобы во время работы руки не затекали, время от времени делайте перерывы и упражнения для расслабления и разминки пальцев. Возникающие при длительной работе вибрации могут привести к нарушениям кровоснабжения сосудов или в нервных окончаниях пальцев/кистей рук или в запястьях.
- ▶ Не закрепляйте крепежный крючок на этом изделии.
- ▶ Запрещается прямой визуальный контакт с подсветкой (светодиодной) электроинструмента! Запрещается направлять ее в лицо другим людям — опасность временного ослепления!
- ▶ Работающий с электроинструментом и находящиеся в непосредственной близости лица должны надевать защитные очки, защитную каску, защитные наушники, защитные перчатки и легкий респиратор.
- ▶ Осколки материала могут травмировать тело и глаза. Используйте средства индивидуальной защиты и всегда надевайте защитные очки и защитные перчатки.
- ▶ При замене рабочего инструмента надевайте защитные перчатки. Соблюдайте осторожность при замене рабочего инструмента — контакт с ним может привести к порезам и ожогам.
- ▶ Не приближайте руки к рабочей зоне пилы и пыльного полотна. При необходимости поддерживайте электроинструмент другой рукой за корпус электродвигателя. При удержании пилы обеими руками риск их травмирования пыльным полотном исключается.
- ▶ Дождитесь полной остановки электроинструмента, прежде чем убирать его в сторону.
- ▶ Не используйте тупые или поврежденные пыльные полотна. Их использование сопряжено с повышенным трением, заклиниванием или появлением отдачи.
- ▶ Закрепляйте заготовку в надежном зажимном устройстве. Не держите разрезаемую заготовку в руке и не поддерживайте ее ногой.
- ▶ Включайте электроинструмент только в рабочем положении.
- ▶ При резке всегда ведите электроинструмент только от себя.
- ▶ Не беритесь руками за нижнюю часть заготовки.
- ▶ Работайте с умеренным нажимом и с соответствующей скоростью резания, особенно при резке труб большого диаметра. Это предотвращает перегрев электроинструмента.
- ▶ Всегда используйте пыльное полотно подходящей длины. При выполнении полного хода пыльное полотно должно выступать из заготовки.
- ▶ При резке никогда не погружайте полотно в непроверенные основания. Убедитесь в отсутствии помех над заготовкой и под ней по всей длине реза.
  - ▶ При попадании (нахождении) пыльного полотна на какой-либо предмет возможна отдача электроинструмента.



- ▶ Приведите руки в положение, при котором вы сможете амортизировать отдачу пилы.
- ▶ Электроинструмент следует плотно прижимать к заготовке с помощью упора. Это необходимо для эффективной и безопасной работы.
- ▶ Держитесь всегда сбоку от пильного полотна, избегайте рабочего положения на одной линии с ним. При обратной отдаче возможен отскок пилы!
- ▶ В случае защемления пильного полотна или во время перерывов в работе выключайте пилу и не вынимайте ее из заготовки, пока пильное полотно не остановится. Никогда не пытайтесь вынуть пилу из заготовки или оттянуть ее назад, пока пильное полотно находится в движении — опасность появления отдачи!
- ▶ При повторном включении пилы, которая находится в заготовке, отцентрируйте пильное полотно в резе и проверьте, не заклинило ли пильные зубья в заготовке.
- ▶ Будьте особенно осторожны при пилении в стенах или в других непросматриваемых зонах. Погружаемое пильное полотно может заклинить при контакте со скрытыми помехами, вследствие чего возникнет отдача.
- ▶ При хранении и транспортировке электроинструмента активируйте его блокировку.
- ▶ Соблюдайте указания изготовителя по обращению и хранению пильных полотен.
- ▶ При сквозной резке ограждайте опасную зону с противоположной стороны стены.
- ▶ Перед началом работы проверяйте рабочую зону на наличие скрытой электропроводки, газо- и водопроводных труб. Открытые металлические части электроинструмента могут стать проводниками электрического тока или привести к взрыву, если случайно задеть (повредить) электропроводку, газо- или водопровод.
- ▶ При резке трубопроводов держите электроинструмент выше зоны резания.
  - ▶ Электроинструмент не имеет защиты от попадания влаги. Вытекающая жидкость может вызвать короткое замыкание в электроинструменте.
- ▶ При разрезании трубопроводов убедитесь в том, что они не заполнены жидкой средой. При необходимости предварительно опорожните трубопроводы.

## 2.4 Аккуратное обращение с аккумуляторами и их правильное использование

- ▶ **Соблюдайте следующие указания по технике безопасности для безопасного обращения и использования литий-ионных аккумуляторов.** Их несоблюдение может привести к раздражениям кожи, серьезным травмам, химическим ожогам, возгоранию и/или взрывам.
- ▶ Используйте аккумуляторы только в технически исправном состоянии.
- ▶ Обращайтесь с аккумуляторами осторожно, чтобы не допустить повреждений и предотвратить выход жидкостей, представляющих серьезную опасность для здоровья!
- ▶ Категорически запрещается вносить изменения в конструкцию аккумуляторов или выполнять недопустимые манипуляции с ними!
- ▶ Запрещается разбирать, сдавливать, нагревать до температуры выше 80 °C (176 °F) или сжигать аккумуляторы.
- ▶ Не используйте или не заряжайте аккумуляторы, которые подвергались механическим (ударным) нагрузкам или получили повреждение каким-либо иным образом. Регулярно проверяйте используемые вами аккумуляторы на признаки повреждений.
- ▶ Категорически запрещается использовать восстановленные аккумуляторы или аккумуляторы после вторичной переработки.
- ▶ Категорически запрещается использовать аккумулятор или работающие от аккумулятора электроинструменты в качестве ударного инструмента.
- ▶ Категорически запрещается подвергать аккумуляторы воздействию прямого солнечного излучения, высокой температуры, искр или открытого пламени. Это может привести к взрывам.
- ▶ Не касайтесь аккумуляторных клемм (полюсов) пальцами, рабочими инструментами, украшениями или иными токопроводящими предметами. Это можно повредить аккумулятор, а также привести к материальному ущербу и травмам.
- ▶ Предохраняйте аккумуляторы от дождя, повышенной влажности и жидкостей. Проникшая влага может привести к коротким замыканиям, ударам электрическим током, ожогам, возгоранию или взрывам.
- ▶ Используйте только допущенные для данного типа аккумуляторов зарядные устройства и электроинструменты. Соблюдайте указания, приводимые в соответствующих руководствах по эксплуатации.
- ▶ Не используйте или не храните аккумулятор во взрывоопасных зонах.



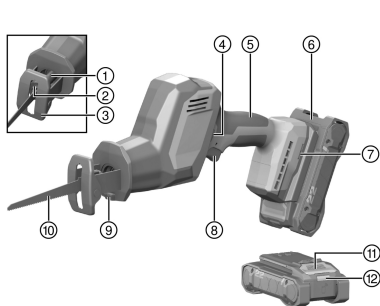
- ▶ Слишком сильный нагрев аккумулятора (такой, что до него невозможно дотронуться) указывает на его возможный дефект. Разместите аккумулятор на безопасном расстоянии от воспламеняющихся материалов в хорошо просматриваемом и пожаробезопасном месте. Дайте остыть аккумулятору. Если по истечении одного часа аккумулятор все еще остается таким горячим, что его нельзя взять в руки, это означает, что он неисправен. Обратитесь в сервисную службу **Hilti** или изучите документ «Указания по технике безопасности и использованию литий-ионных аккумуляторов **Hilti**».

**i** Соблюдайте специальные директивы по транспортировке, хранению и использованию литий-ионных аккумуляторов.

Ознакомьтесь с указаниями по технике безопасности и использованию литий-ионных аккумуляторов **Hilti**, которые можно посмотреть путем сканирования QR-кода в конце этого руководства по эксплуатации.

### 3 Описание

#### 3.1 Обзор изделия



- ① Фиксирующая втулка для пильного полотна
- ② Зажимной патрон для пильного полотна
- ③ Упор
- ④ Кнопка блокировки при транспортировке
- ⑤ Рукоятка
- ⑥ Аккумулятор
- ⑦ Монтажное отверстие для принадлежностей
- ⑧ Выключатель
- ⑨ Рабочее освещение (светодиодное)
- ⑩ Пильное полотно
- ⑪ Кнопка деблокировки аккумулятора
- ⑫ Индикатор статуса аккумулятора

#### 3.2 Использование по назначению

Этот электроинструмент представляет собой аккумуляторную сабельную пилу. Он предназначен для резки древесины, древесных, металлических и полимерных материалов, а также кирпичей. Электроинструмент предназначен для работы одной рукой.

- Для этого электроинструмента используйте только литий-ионные аккумуляторы **Hilti** Nuron серии В 22. Для обеспечения оптимальной мощности **Hilti** рекомендует использовать с этим электроинструментом аккумуляторы, указанные в таблице в конце этого руководства по эксплуатации.
- Для зарядки этих аккумуляторов используйте только зарядные устройства **Hilti**, указанные в таблице в конце этого руководства по эксплуатации.

#### 3.3 Возможное использование не по назначению

- ▶ Не используйте этот электроинструмент для резки бетона, газобетона, натурального камня или керамической плитки.
- ▶ Не используйте этот электроинструмент для резки трубопроводов, заполненных жидкой средой.
- ▶ Не выполняйте резку в непроверенных основаниях.

#### 3.4 Комплект поставки

Сабельная пила, руководство по эксплуатации.

Другие системные принадлежности, допущенные для использования с этим изделием, вы можете найти в **Hilti Store** или на сайте [www.hilti.group](http://www.hilti.group).

#### 3.5 Индикации состояния литий-ионного аккумулятора

Литий-ионные аккумуляторы **Hilti** Nuron оснащены светодиодами для индикации уровня заряда, сигналов ошибки и состояния батареи.



### 3.5.1 Индикация уровня заряда и сигналов ошибки



#### ПРЕДУПРЕЖДЕНИЕ

#### Опасность травмирования вследствие падения аккумулятора!

- ▶ При вставленном аккумуляторе путем нажатия кнопки разблокировки убедитесь в правильной повторной фиксации аккумулятора в используемом электроинструменте.

Для получения одной из следующих индикаций коротко нажмите кнопку разблокировки аккумулятора. Уровень заряда, а также возможные неисправности также отображаются в течение всего времени, пока подключенный (к аккумулятору) электроинструмент включен.

Состояние	Значение
Четыре (4) светодиода непрерывно горят зеленым.	Уровень заряда: от 100 % до 71 %
Три (3) светодиода непрерывно горят зеленым.	Уровень заряда: от 70 % до 51 %
Два (2) светодиода непрерывно горят зеленым.	Уровень заряда: от 50 % до 26 %
Один (1) светодиод непрерывно горит зеленым.	Уровень заряда: от 25 % до 10 %
Один (1) светодиод мигает зеленым с низкой частотой.	Уровень заряда: < 10 %
Один (1) светодиод мигает зеленым с высокой частотой.	Литий-ионный аккумулятор полностью разряжен. Зарядите аккумулятор. Если светодиод после зарядки аккумулятора все еще мигает с высокой частотой, обратитесь в сервисную службу <b>Hilti</b> .
Один (1) светодиод мигает желтым с высокой частотой.	Литий-ионный аккумулятор или подключенный к нему электроинструмент перегружены, слишком горячие, слишком холодные или имеет место другая ошибка. Обеспечьте доведение электроинструмента и аккумулятора до рекомендуемой рабочей температуры и не перегружайте электроинструмент при его использовании. Если сигнал остается, обратитесь в сервисную службу <b>Hilti</b> .
Один (1) светодиод горит желтым.	Литий-ионный аккумулятор и сопряженный с ним электроинструмент не совместимы друг с другом. Обратитесь в сервисный центр <b>Hilti</b> .
Один (1) светодиод мигает красным с высокой частотой.	Литий-ионный аккумулятор заблокирован и его дальнейшее использование невозможно. Обратитесь в сервисный центр <b>Hilti</b> .

### 3.5.2 Индикаторы состояния аккумулятора

Для запроса состояния аккумулятора удерживайте кнопку разблокировки нажатой в течение более 3 с. Система не распознает потенциальное нарушение работы аккумуляторной батареи вследствие неправильного обращения, например, падения, проколов, внешнего термического воздействия и т. д.

Состояние	Значение
Все светодиоды загораются в виде бегущего огня, после чего один (1) светодиод горит зеленым.	Аккумулятор можно продолжать использовать.
Все светодиоды загораются в виде бегущего огня, после чего один (1) светодиод мигает желтым с высокой частотой.	Не удалось завершить запрос состояния аккумулятора. Повторите процесс или обратитесь в сервисную службу <b>Hilti</b> .



Состояние	Значение
Все светодиоды загораются в виде бегущего огня, после чего один (1) светодиод горит красным.	В случае возможности дальнейшего использования подключенного электроинструмента оставшаяся емкость аккумулятора составляет ниже 50 %. Если подключенный электроинструмент больше использовать невозможно, ресурс аккумулятора исчерпан и аккумулятор следует заменить. Обратитесь в сервисный центр <b>Hilti</b> .

## 4 Технические данные

### 4.1 Сабельная пила

	SR 4-22
Поколение изделия	02
Номинальное напряжение	21,6 В
Масса по EPTA Procedure 01 без аккумулятора	2 кг
Частота ходов	0 об/мин ... 3 000 об/мин
Длина хода	23,2 мм
Зажимной патрон для стандартных пильных полотен, без ключа	1/2 дюйм
Температура хранения	-20 °C ... 70 °C
Температура окружающей среды при эксплуатации	-17 °C ... 60 °C

### 4.2 Аккумулятор

Рабочее напряжение аккумулятора	21,6 В
Масса аккумулятора	См. в конце этого руководства по эксплуатации
Температура окружающей среды при эксплуатации	-17 °C ... 60 °C
Температура хранения	-20 °C ... 40 °C
Температура аккумулятора в начале зарядки	-10 °C ... 45 °C

### 4.3 Данные о шуме и вибрации

Приводимые здесь значения уровня звукового давления и вибрации были измерены согласно стандартизированной процедуре измерения и могут использоваться для сравнения электроинструментов между собой. Они также подходят для предварительной оценки вредных воздействий.

Указанные данные применимы к основным областям применения электроинструмента. Однако, если электроинструмент используется для других целей, с другими рабочими (сменными) инструментами или в случае его неудовлетворительного технического обслуживания, данные могут быть иными. Вследствие этого в течение всего периода работы электроинструмента возможно значительное увеличение вредных воздействий.

Для точного определения вредных воздействий следует также учитывать промежутки времени, в течение которых электроинструмент находится в выключенном состоянии или работает вхолостую. Вследствие этого в течение всего периода работы электроинструмента возможно заметное уменьшение вредных воздействий.

Примите дополнительные меры безопасности для защиты пользователя от воздействия возникающего шума и/или вибраций, например: техническое обслуживание электроинструмента и рабочих (сменных) инструментов, сохранение тепла рук, правильная организация рабочих процессов.



Подробную информацию о версиях примененных здесь стандартов **EN 62841** см. в копии декларации соответствия нормам 220.



## Данные о шуме

	SR 4-22
Уровень звуковой мощности ( $L_{WA}$ )	95 дБ(А)
Погрешность уровня звуковой мощности ( $K_{WA}$ )	5 дБ(А)
Уровень звукового давления ( $L_{pA}$ )	87 дБ(А)
Погрешность уровня звукового давления ( $K_{pA}$ )	5 дБ(А)

## Данные о вибрации

Значение вибрации при резке ДСП ( $a_{h,B}$ )	<b>B 22-55</b>	12,8 м/с <sup>2</sup>
	<b>B 22-85</b>	11,1 м/с <sup>2</sup>
Значение вибрации при резке деревянных балок ( $a_{h,WB}$ )	<b>B 22-55</b>	11,5 м/с <sup>2</sup>
	<b>B 22-85</b>	12,2 м/с <sup>2</sup>
Коэффициент погрешности (К)		1,5 м/с <sup>2</sup>

## 5 Эксплуатация

### 5.1 Зарядка аккумулятора

1. Перед зарядкой изучите руководство по эксплуатации зарядного устройства.
2. Убедитесь в том, что контакты аккумулятора и зарядного устройства чистые и сухие.
3. Заряжайте аккумулятор только в допущенном к эксплуатации зарядном устройстве. 113

### 5.2 Установка аккумулятора

#### ПРЕДУПРЕЖДЕНИЕ

**Опасность травмирования вследствие короткого замыкания или падения аккумулятора!**

- ▶ Перед установкой аккумулятора убедитесь в чистоте его контактов и контактов электроинструмента.
- ▶ Всегда проверяйте, правильно ли зафиксирован аккумулятор.

1. Перед первым вводом в эксплуатацию полностью зарядите аккумулятор.
2. Прижмите аккумулятор так, чтобы он зафиксировался в аккумуляторном отсеке с характерным щелчком.
3. Проверьте надежность фиксации аккумулятора.

### 5.3 Извлечение аккумулятора

1. Нажмите кнопку деблокировки аккумулятора.
2. Извлеките аккумулятор из инструмента.

### 5.4 Защита от падения

#### ПРЕДУПРЕЖДЕНИЕ

**Опасность травмирования вследствие падения электроинструмента и/или принадлежности!**

- ▶ Используйте только предусмотренный для этого электроинструмента удерживающий трос **Hilti** для инструментов.
- ▶ Перед каждым использованием проверяйте точку крепления удерживающего троса для инструментов на возможные повреждения.

Соблюдайте национальные директивы по выполнению высотных работ.

Для защиты этого устройства от падения используйте только комбинацию из предохранителя **Hilti** для предупреждения случайного срабатывания при ударе #2293133 и удерживающего троса для инструментов **Hilti** #2261970.

- ▶ Закрепите предохранитель для предупреждения случайного срабатывания при ударе в монтажных отверстиях для принадлежностей. Проверьте надежность фиксации.





- ▶ Закрепите один крючок-карабин удерживающего троса для инструментов на предохранителе для предупреждения случайного срабатывания при ударе, а второй — на несущей конструкции. Проверьте надежность фиксации.



Соблюдайте указания из руководств по эксплуатации предохранителя **Hilti** для предупреждения случайного срабатывания при ударе, а также удерживающего троса для инструментов **Hilti**.

## 5.5 Установка пыльного полотна 2



Используйте только пыльные полотна с хвостовиком 1/2".

1. Убедитесь, что хвостовик рабочего инструмента чист и слегка смазан. В случае необходимости очистите и смажьте его.
2. Поверните фиксирующую обойму патрона против часовой стрелки и удерживайте ее нажатой.
3. Вставьте пыльное полотно в зажимной патрон спереди.
4. Отпустите фиксирующую обойму, она должна вернуться в исходное положение и защелкнуться.
5. Проверьте надежность фиксации пыльного полотна, потянув за него.

## 5.6 Извлечение пыльного полотна 3



### ОСТОРОЖНО

**Опасность травмирования!** Рабочий инструмент может нагреваться и/или иметь острые кромки.

- ▶ При смене рабочего инструмента пользуйтесь защитными перчатками.
  - ▶ Категорически запрещается укладывать нагретый рабочий инструмент на воспламеняющиеся основания.
1. Поверните фиксирующую обойму патрона против часовой стрелки и удерживайте ее нажатой.
  2. Извлеките пыльное полотно из зажимного патрона.
  3. Отпустите фиксирующую обойму (она должна вернуться в исходное положение).

## 6 Управление

Соблюдайте указания по технике безопасности и предупреждающие указания, приводимые в данном документе и на изделии.

### 6.1 Резка



### ПРЕДУПРЕЖДЕНИЕ

**Опасность травмирования работающей по инерции пилой !**

- ▶ Сначала отводите электроинструмент от заготовки и только затем выключайте.
  - ▶ Дождитесь, пока электроинструмент полностью не остановится, прежде чем отложить его в сторону.
1. Деактивируйте блокировку при транспортировке и нажмите выключатель.
  2. После завершения резки отпустите выключатель.
  3. Активируйте блокировку при транспортировке.

## 7 Уход и техническое обслуживание



### ПРЕДУПРЕЖДЕНИЕ

**Опасность травмирования при установленном аккумуляторе !**

- ▶ Перед проведением любых работ по уходу и обслуживанию всегда извлекайте аккумулятор!

**Уход за электроинструментом**

- Удаляйте налипшую грязь с осторожностью.
- Осторожно очищайте вентиляционные прорези (при наличии) сухой мягкой щеткой.



- Очищайте корпус только слегка увлажненной тканью. Не используйте средства по уходу с содержанием силикона, поскольку они могут повредить пластиковые детали.
- Регулярно очищайте зажимной патрон снаружи и смазывайте его. Используйте для этого аэрозольную смазку **Hilti** 314648.
- Для очистки контактов электроинструмента используйте чистую сухую тряпку.

#### Уход за литий-ионными аккумуляторами

- Категорически запрещается использовать аккумулятор с забитыми вентиляционными прорезями. Осторожно очистите вентиляционные прорези сухой мягкой щеткой.
- Не допускайте чрезмерного запыления или загрязнения аккумулятора. Категорически запрещается подвергать аккумулятор чрезмерному воздействию влаги (например, опускать его в воду или оставлять под дождем).

Если аккумулятор промокнет, обращайтесь с ним, как с поврежденным. Поместите его в контейнер из негорючего материала и обратитесь в сервисную службу **Hilti**.

- Аккумулятор должен быть чистым, без следов масла и смазки. Не допускайте чрезмерного скопления пыли или грязи на аккумуляторе. Очищайте аккумулятор сухой мягкой кистью или чистой и сухой тряпкой. Не используйте средства по уходу с содержанием силикона, поскольку они могут повредить пластиковые детали.  
Не прикасайтесь к контактам аккумулятора и не удаляйте с них смазку, нанесенную на заводе.
- Очищайте корпус только слегка увлажненной тканью. Не используйте средства по уходу с содержанием силикона, поскольку они могут повредить пластиковые детали.

#### Техническое обслуживание

- Регулярно проверяйте все видимые части электроинструмента на отсутствие повреждений, а элементы управления — на исправное функционирование.
- При повреждениях и/или функциональных сбоях не используйте электроинструмент. Незамедлительно сдайте электроинструмент для ремонта в сервисный центр **Hilti**.
- После ухода за электроинструментом и его технического обслуживания установите все защитные приспособления на место и проверьте их исправное функционирование.



Для обеспечения безопасной эксплуатации используйте только оригинальные запасные части и расходные материалы. Допущенные **Hilti** запасные части, расходные материалы и принадлежности для этого электроинструмента вы можете найти в **Hilti Store** или на: [www.hilti.group](http://www.hilti.group)

## 8 Транспортировка и хранение

### Транспортировка аккумуляторных инструментов и аккумуляторов

#### ОСТОРОЖНО

#### Непреднамеренное включение в ходе транспортировки !

- ▶ При транспортировке своих электроинструментов всегда отсоединяйте от них аккумуляторы!
- ▶ Извлеките аккумулятор(ы).
- ▶ Категорически запрещается транспортировать аккумуляторы без упаковки (бестарным способом). Во время транспортировки необходимо принять меры по защите аккумуляторов от сильных ударов и вибраций и изолировать их от любых токопроводящих материалов или других аккумуляторов, чтобы не допустить их контакта с клеммами других аккумуляторов и, как следствие этого, короткого замыкания. **Соблюдайте действующие предписания по транспортировке аккумуляторов.**
- ▶ Запрещается пересылать аккумуляторы по почте. Обратитесь в транспортно-экспедиционную компанию, если вы хотите переслать поврежденные аккумуляторы.
- ▶ Перед каждым использованием, а также перед длительной транспортировкой и после нее проверяйте электроинструмент и аккумуляторы на отсутствие повреждений.

### Хранение аккумуляторных инструментов и аккумуляторов

#### ПРЕДУПРЕЖДЕНИЕ

#### Непреднамеренное повреждение вследствие неисправных или протекающих аккумуляторов !

- ▶ При хранении своих электроинструментов всегда отсоединяйте от них аккумуляторы!
- ▶ По возможности храните фонарь и аккумуляторы в сухом и прохладном месте. Соблюдайте ограничения по температуре, приведенные в технических характеристиках 115.
- ▶ Не храните аккумуляторы на зарядном устройстве. После зарядки всегда извлекайте аккумулятор из зарядного устройства.



- ▶ Никогда не оставляйте аккумуляторы на солнце, на нагревательных/отопительных элементах или за стеклом.
- ▶ Храните фонарь и аккумуляторы в недоступном для детей и посторонних лиц месте.
- ▶ Перед каждым использованием, а также перед длительным хранением и после него проверяйте электроинструмент и аккумуляторы на отсутствие повреждений.

## 9 Помощь при неисправностях

При любых неисправностях следите за индикатором уровня заряда и неисправностей аккумулятора. См. главу **Индикации состояния литий-ионного аккумулятора**.

В случае неисправностей, которые не указаны в этой таблице или которые вы не можете устранить самостоятельно, обращайтесь в ближайший сервисный центр **Hilti**.

Неисправность	Возможная причина	Решение
Аккумулятор разряжается быстрее, чем обычно.	Состояние аккумулятора далеко от оптимального.	▶ Проверьте состояние аккумулятора.  113
При установке аккумулятора не слышно характерного щелчка.	Грязь на элементах фиксации аккумулятора.	▶ Очистите фиксирующий выступ и установите аккумулятор повторно.
Светодиоды ничего не показывают.	Аккумулятор вставлен не полностью.	▶ Зафиксируйте аккумулятор с характерным щелчком.
	Дефект аккумулятора	▶ Обратитесь в сервисный центр <b>Hilti</b> .
Пильное полотно не вынимается из зажимного патрона.	Рычаг блокировки не нажат до упора.	▶ Поверните рычаг блокировки до упора и извлеките пильное полотно.
	Зажимной патрон засорен опилками.	▶ Удалите опилки и регулярно очищайте зажимной патрон снаружи. Уход за электроинструментом.  117
Электроинструмент работает не на полную мощность.	Не полностью нажат выключатель.	▶ Нажмите выключатель до упора.
	Разрядите аккумулятор.	▶ Замените аккумулятор и зарядите разряженный аккумулятор.
Пильное полотно не вынимается из зажимного патрона.	Фиксирующая обойма повернута не до упора	▶ Поверните фиксирующую обойму до упора и извлеките пильное полотно.

## 10 Утилизация

### ПРЕДУПРЕЖДЕНИЕ

**Опасность травмирования вследствие неправильной утилизации!** Опасность для здоровья вследствие выхода газов или жидкостей.

- ▶ Не пересылайте поврежденные аккумуляторы!
- ▶ Закрывайте аккумуляторные контакты не проводящим ток материалом, чтобы избежать коротких замыканий.
- ▶ Утилизируйте аккумуляторы так, чтобы исключить их попадание в руки детей.
- ▶ Утилизируйте аккумулятор через ближайший **Hilti Store** или обратитесь в специализированную фирму по утилизации.

Большинство материалов, из которых изготовлены устройства **Hilti**, подлежат вторичной переработке. Перед утилизацией следует тщательно рассортировать материалы (для удобства их последующей переработки). Во многих странах фирма **Hilti** уже организовала прием бывших в использовании электрических и электронных устройств (инструментов, приборов) для утилизации. Дополнительную информацию по этому вопросу можно получить в отделе по обслуживанию клиентов или у консультантов по продажам фирмы **Hilti**.





- ▶ Не выбрасывайте электрические инструменты, электронные устройства/приборы и аккумуляторы вместе с обычным мусором!

## 11 Гарантия производителя

- ▶ С вопросами по поводу гарантийных условий обращайтесь в ближайшее представительство Hilti.

## 12 Дополнительная информация



Дополнительную информацию относительно управления, технического оснащения, защиты окружающей среды и повторного использования см. по следующей ссылке: [qr.hilti.com/manual/?id=2243480&id=2243482](http://qr.hilti.com/manual/?id=2243480&id=2243482)

Эта ссылка также приводится в конце документа в виде QR-кода.

## Оригінальна інструкція з експлуатації

### 1 Інформація щодо інструкції з експлуатації

#### 1.1 Про цю інструкцію з експлуатації

- **Попередження!** Перед використанням продукту слід обов'язково прочитати та зрозуміти інструкцію з експлуатації, що додається, у тому числі інструкції, вказівки з техніки безпеки, попереджувальні вказівки, ілюстрації та технічні характеристики. Зокрема, ознайомтеся з усіма інструкціями, вказівками з техніки безпеки, попереджувальними вказівками, ілюстраціями, технічними характеристиками, а також інформацією щодо компонентів та функцій. Недотримання цієї вимоги може призвести до ризику ураження електричним струмом, виникнення пожежі та/або тяжких травм. Зберігайте інструкцію з експлуатації, зокрема всі інструкції, вказівки з техніки безпеки та попереджувальні вказівки, щоб можна було звернутися до них у майбутньому.
- **HILTI** Інструменти призначені для професійного використання, а тому їхню експлуатацію, технічне обслуговування та ремонт слід доручати лише авторизованому персоналу зі спеціальною підготовкою. Цей персонал повинен бути спеціально проінструктований про можливі ризики. Інструмент та допоміжне приладдя можуть стати джерелом небезпеки у разі їхнього неправильного застосування некваліфікованим персоналом або у разі використання не за призначенням.
- Інструкція з експлуатації, що додається до продукту, відповідає стану науки і техніки, актуальному на момент її друку. Більш актуальну версію інструкції з експлуатації можна знайти в інтернеті на сторінці з інформацією про продукти Hilti. Для цього перейдіть за посиланням або QR-кодом у цій інструкції з експлуатації, що позначені символом .
- У разі зміни власника передавайте продукт лише разом із цією інструкцією з експлуатації.

#### 1.2 Пояснення символів

##### 1.2.1 Попереджувальні вказівки

Попереджувальні вказівки інформують користувача про фактори небезпеки, пов'язані із застосуванням інструмента. Використовуються такі сигнальні слова:



### НЕБЕЗПЕКА

#### НЕБЕЗПЕКА !

- ▶ Указує на безпосередню небезпеку, що може призвести до отримання тяжких тілесних ушкоджень або навіть до смерті.

### ПОПЕРЕДЖЕННЯ

#### ПОПЕРЕДЖЕННЯ !

- ▶ Указує на потенційно небезпечну ситуацію, яка може призвести до отримання тяжких тілесних ушкоджень або навіть смерті.

### ОБЕРЕЖНО

#### ОБЕРЕЖНО !

- ▶ Указує на потенційно небезпечну ситуацію, яка може призвести до отримання тілесних ушкоджень або до матеріальних збитків.

## 1.2.2 Символи в інструкції з експлуатації

У цій інструкції з експлуатації використовуються такі символи:

	Дотримуйтеся вказівок, наведених в інструкції з експлуатації
	Указівки щодо експлуатації та інша корисна інформація
	Поводження з матеріалами, придатними для вторинної переробки
	Не викидайте електроінструменти і акумуляторні батареї у баки для побутового сміття
	<b>Hilti</b> Літій-іонна акумуляторна батарея
	<b>Hilti</b> Зарядний пристрій

## 1.2.3 Символи на ілюстраціях

На ілюстраціях використовуються такі символи:

	Цифрами позначаються відповідні ілюстрації, наведені на початку цієї інструкції з експлуатації.
	Нумерація відображає послідовність робочих кроків на ілюстраціях та може відрізнятися від нумерації у тексті.
	Номера позицій, наведені <b>на оглядовій ілюстрації</b> , відповідають номерам у легенді, що представлена у розділі « <b>Огляд продукту</b> ».
	Цей символ позначає аспекти, на які слід звернути особливу увагу під час застосування інструмента.



## 1.3 Символи, що обумовлені типом інструмента

### 1.3.1 Символи на інструменті

На інструменті можуть бути наведені такі символи:

	Кількість робочих ходів за хвилину
	Кількість робочих ходів у холостому режимі
	Постійний струм
	Інструмент підтримує технологію NFC та є сумісним із платформами iOS та Android.
	Літій-іонна акумуляторна батарея



	Ніколи не використовуйте акумуляторну батарею у якості ударного інструмента.
	Не допускайте падіння акумуляторної батареї. Не використовуйте акумуляторну батарею, яка зазнала ударного навантаження або була пошкоджена іншим чином.

## 2 Безпека

### 2.1 Загальні вказівки з техніки безпеки при роботі з електроінструментами

**⚠ ПОПЕРЕДЖЕННЯ!** Уважно прочитайте усі вказівки та інструкції з техніки безпеки, ознайомтеся з малюнками та технічними даними цього електроінструмента. Щонайменше недотримання наведених нижче вказівок може призвести до ураження електричним струмом, займання та/або отримання тяжких травм.

**Збережіть всі інструкції та вказівки з техніки безпеки – вони можуть знадобитися Вам у майбутньому.**

Термін «електроінструмент», який використовується у вказівках з техніки безпеки, позначає як електроінструменти, що працюють від електричної мережі (із кабелем живлення), так і електроінструменти, що працюють від акумуляторної батареї (без кабелю живлення).

#### Безпека на робочому місці

- ▶ **Дбайте про чистоту та достатнє освітлення робочого місця.** Безлад на робочому місці та недостатнє освітлення можуть стати причиною нещасних випадків.
- ▶ **Не працюйте з електроінструментом у вибухонебезпечному середовищі, що містить легкозаймисті рідини, гази або пил.** Під час роботи електроінструментів утворюються іскри, від яких можуть зайнятися легкозаймисті випари або пил.
- ▶ **Подбайте про те, щоб під час використання електроінструмента поблизу не було дітей та сторонніх осіб.** Щонайменше відволікання може призвести до втрати контролю над інструментом.

#### Електрична безпека

- ▶ **Штепсельна вилка електроінструмента повинна підходити до розетки живлення. Забороняється вносити зміни до конструкції штепсельної вилки. Не дозволяється застосовувати перерізані штепсельні вилки в електроінструментах із захисним заземленням.** У разі використання оригінальних штепсельних вилок і відповідних розеток знижується ризик ураження електричним струмом.
- ▶ **Під час роботи намагайтеся не торкатися заземлених поверхонь, наприклад труб, радіаторів опалення, печей та холодильників.** Якщо Ваше тіло перебуває в контакт з системою заземлення, існує підвищений ризик ураження електричним струмом.
- ▶ **Захищайте електроінструменти від дощу та вологи.** У разі проникнення води в електроінструмент підвищується ризик ураження електричним струмом.
- ▶ **Використовуйте з'єднувальний кабель тільки за призначенням, не переносьте за нього електроінструмент, не користуйтеся ним для підвішування інструмента та не тримайтеся за нього, дістаючи штепсельну вилку з розетки.** Оберігайте з'єднувальний кабель від впливу високих температур, від дії мастил та контакту з гострими кромками або рухомими частинами інструмента. Пошкоджені або заплутані з'єднувальні кабелі підвищують ризик ураження електричним струмом.
- ▶ **Працюючи з електроінструментом під відкритим небом, використовуйте лише подовжувальний кабель, придатний для зовнішнього застосування.** Використання подовжувального кабелю, призначеного для зовнішнього застосування, зменшує ризик ураження електричним струмом.
- ▶ **Якщо неможливо уникнути експлуатації електроінструмента за умов підвищеної вологості, використовуйте автомат захисту від струму витоку.** Використання автомата захисту від струму витоку зменшує ризик ураження електричним струмом.

#### Безпека персоналу

- ▶ **Будьте уважними, зосередьтеся на виконуваній операції, до роботи з електроінструментом ставтеся серйозно.** Не користуйтеся електроінструментом, якщо Ви втомлені або перебуваєте під дією наркотичних речовин, алкоголю або лікарських засобів. Під час роботи з електроінструментом не відволікайтеся ні на мить, оскільки це може призвести до отримання серйозних травм.
- ▶ **Використовуйте засоби індивідуального захисту і завжди надягайте захисні окуляри.** Використання засобів індивідуального захисту, наприклад респіратор, захисного взуття на нековзній підшві, захисного шолома або шумозахисних навушників – залежно від різновиду електроінструмента та особливостей його застосування – зменшує ризик травмування.



- ▶ **Уникайте випадкового вмикання електроінструмента.** Переконайтеся в тому, що електроінструмент вимкнений, перш ніж вставляти штепсельну вилку в розетку живлення та/або приєднувати акумулятор, піднімати електроінструмент або переносити його. Якщо під час перенесення електроінструмента тримати палець на вимикачі або приєднувати інструмент до джерела живлення увімкненим, це може призвести до нещасного випадку.
- ▶ **Перш ніж вмикати електроінструмент, від'єднайте від нього все налагоджувальне приладдя або гайкові ключі.** Приладдя або ключ, що знаходяться в обертовому вузлі інструмента, можуть стати причиною отримання травм.
- ▶ **Уникайте виконання роботи в незручній позі.** Під час виконання робіт ставайте в стійку позу і намагайтеся повсякчас утримувати рівновагу. Це дозволить Вам більш упевнено контролювати електроінструмент у разі виникнення несподіваних обставин.
- ▶ **Надягайте відповідний робочий одяг.** Не надягайте для роботи занадто просторий одяг та прикраси. Слідкуйте за тим, щоб волосся, одяг та робочі рукавиці знаходилися подалі від обертових частин інструмента. Просторий одяг, прикраси або довге волосся можуть бути захоплені рухомими частинами інструмента.
- ▶ **Якщо передбачена можливість установа системи пиловидалення та пилозбірників, обов'язково переконайтеся в тому, що вони правильно приєднані й використовуються належним чином.** Застосування системи видалення пилу дозволяє зменшити негативний вплив пилу на персонал.
- ▶ **Не можна нехтувати правилами безпеки під час роботи з електроінструментами навіть у тому випадку, коди Ви добре знайомі з тим чи іншим електроінструментом.** Якщо користуватися інструментом необережно, лише малої частки секунди може бути достатньо для отримання тяжких травм.

#### **Використання електроінструмента та належний догляд за ним**

- ▶ **Не допускайте перенавантаження інструмента.** Завжди використовуйте електроінструмент, призначений для виконання відповідної роботи. При використанні належного електроінструмента забезпечуються більш висока якість та безпека виконання робіт у вказаному діапазоні продуктивності.
- ▶ **Не використовуйте електроінструмент із пошкодженням вимикачем.** Електроінструмент, який неможливо вмикати або вимикати, є небезпечним і підлягає ремонту.
- ▶ **Перш ніж розпочинати налаштування інструмента, виконувати заміну приладдя або робити перерву в роботі, не забудьте вийняти штепсельну вилку з розетки та/або вийняти з інструмента змінну акумуляторну батарею.** Такий запобіжний захід допоможе уникнути випадкового вмикання електроінструмента.
- ▶ **Електроінструменти, що не використовуються, зберігайте в недоступному для дітей місці.** Не дозволяйте користуватися інструментом особам, які не ознайомлені з ним або не прочитали ці вказівки. У руках недосвідчених людей електроінструменти являють собою серйозну небезпеку.
- ▶ **Електроінструменти та їх приладдя потребують дбайливого догляду.** Ретельно перевіряйте, чи бездоганно працюють та чи не заклинюють рухомі частини, чи не зламалися або не зазнали інших пошкоджень деталі, від яких залежить справна робота електроінструмента. Перед початком роботи з інструментом пошкоджені деталі слід відремонтувати. Багато нещасних випадків можна уникнути за умови належного технічного обслуговування електроінструментів.
- ▶ **Слідкуйте за тим, щоб ріжучі інструменти завжди залишалися чистими та належним чином заточеними.** Дбайливо доглянутий ріжучий інструмент із гострими різальними кромками не так часто заклинюється, і з ним легше працювати.
- ▶ **Під час експлуатації електроінструмента, приладдя до нього, робочих інструментів тощо дотримуйтеся наведених у цьому документі вказівок.** При цьому завжди враховуйте умови в місці виконання робіт та дії, яких вимагає поставлене завдання. Використання електроінструментів не за призначенням може призвести до виникнення небезпечних ситуацій.
- ▶ **Слідкуйте за тим, щоб поверхні рукояток були чистими та сухими, та не допускайте їхнього забруднення мастилом.** Якщо поверхні рукояток слизькі, це унеможливіло впевнене контролювання електроінструмента у непередбачених ситуаціях.

#### **Використання акумуляторного інструмента та належний догляд за ним**

- ▶ **Для заряджання акумуляторних батарей застосовуйте лише зарядні пристрої, рекомендовані виробником.** Зарядний пристрій, придатний для заряджання акумуляторних батарей певного типу, може спричинити пожежу, якщо його застосовувати для заряджання акумуляторних батарей інших типів.
- ▶ **Для живлення електроінструментів застосовуйте лише спеціально призначені для цього акумуляторні батареї.** Застосування інших акумуляторних батарей може призвести до отримання травм і виникнення пожежі.



- ▶ Акумуляторну батарею, яка не використовується, тримайте подалі від канцелярських скріпок, монет, ключів, цвяхів, гвинтів та інших дрібних металевих предметів, які могли б спричинити коротке замикання її контактів. Коротке замикання контактів акумуляторної батареї може призвести до отримання опіків або до виникнення пожежі.
- ▶ У разі неправильного застосування з акумуляторної батареї може пролитися рідина. Уникайте контакту з нею. У разі випадкового контакту цієї рідини зі шкірою негайно уражене місце достатньою кількістю води. Якщо рідина потрапила в очі, рекомендується додатково звернутися по лікарську допомогу. Пролита з акумуляторної батареї рідина може призвести до подразнення шкіри або отримання опіків.
- ▶ Не використовуйте акумуляторну батарею, якщо вона пошкоджена або якщо її конструкція була змінена. Пошкоджені або модифіковані акумуляторні батареї вкрай ненадійні та становлять небезпеку пожежі, вибуху або травмування.
- ▶ Не піддавайте акумуляторну батарею впливу вогню або високих температур. Вогонь або температури понад 130 °C (265 °F) можуть спричинити вибух.
- ▶ Дотримуйтеся вказівок щодо заряджання. Ніколи не заряджайте акумуляторну батарею або акумуляторний інструмент в умовах, що виходять за межі температурного діапазону, зазначеного в інструкції з експлуатації. Неналежне заряджання або заряджання за межами зазначеного температурного діапазону може призвести до руйнування акумуляторної батареї та підвищує ризик займання.

### Сервісне обслуговування

- ▶ Доручайте ремонт електроінструмента лише кваліфікованому персоналу зі спеціальною підготовкою за умови використання тільки оригінальних запасних частин. Це забезпечить функціональність інструмента.
- ▶ Забороняється здійснювати технічне обслуговування пошкоджених акумуляторних батарей. У будь-яких випадках технічне обслуговування акумуляторних батарей повинен здійснювати виробник або уповноважена служба технічного обслуговування.

## 2.2 Вказівки з техніки безпеки під час використання пилок із маятниковим ходом пиляльно-го полотна

- ▶ Якщо під час виконання робіт існує ймовірність того, що змінний робочий інструмент може натрапити на приховану електропроводку, утримуйте електроінструмент за ізольовані поверхні рукоятки. У разі контакту з електричним дротом, який знаходиться під напругою, металеві деталі інструмента також потраплять під напругу, а це може призвести до ураження електричним струмом.
- ▶ Закріпіть оброблюваний об'єкт на стійкій поверхні за допомогою лещат або іншим надійним способом. Якщо утримувати оброблюваний об'єкт рукою або притискати його до тіла, це не гарантує надійного закріплення та може призвести до втрати контролю.

## 2.3 Додаткові вказівки з техніки безпеки

- ▶ Користуйтеся лише повністю справним інструментом та приладдям.
- ▶ Вносити будь-які зміни до конструкції інструмента або приладдя заборонено.
- ▶ Пил, який утворюється під час шліфування, обробки наждачним папером, різання та свердління певних матеріалів, може містити небезпечні хімічні речовини. Деякі приклади таких матеріалів: свинець або фарби на основі свинцю; цегла, бетон та інші матеріали, що використовуються для споруджування стін, зокрема природний камінь та інші речовини, які містять силікати; певні види деревини, зокрема дуб або бук, а також деревина, яка пройшла хімічну обробку; азбест або матеріали, що містять азбест. Визначаєте рівень впливу пилу на оператора та осіб, які знаходяться поблизу, приймаючи до уваги клас безпеки оброблюваних матеріалів. Вживайте потрібних заходів, щоб утримувати вплив пилу на мінімально можливому рівні, зокрема використовуєте систему видалення пилу або відповідний респіратор. До загальних заходів, спрямованих на зменшення впливу пилу, належать такі:
  - ▶ виконання робіт на добре провітрюваній ділянці;
  - ▶ уникнення тривалого контакту з пилом;
  - ▶ недопущення контакту пилу з обличчям та тілом;
  - ▶ використання захисного одягу, а також миття засмічених ділянок водою з милом.
- ▶ Небезпека травмування в результаті падіння інструментів та/або приладдя. Перш ніж розпочинати роботу, перевірте, чи надійно закріплене приладдя.
- ▶ Не допускайте засмічення вентиляційних прорізів. Перекривання вентиляційних прорізів створює небезпеку отримання опіків!





- ▶ Часто робіть перерви у роботі та виконуйте вправи на розминання пальців, щоб покращити кровообіг у них. Під час довготривалих робіт високочастотна вібрація може пошкодити судини або нерви у пальцях, руках або зап'ясткових суглобах.
- ▶ Не закріплюйте поясний гачок на цьому інструменті.
- ▶ Не дивіться безпосередньо на світлодіодне підсвічування інструмента та не направляйте його в обличчя іншим особам. Існує небезпека засліплення.
- ▶ Під час роботи з інструментом користувач, а також особи, що перебувають безпосередньо в місці проведення робіт, мають використовувати захисні окуляри, шолом, захисні навушники, робочі рукавиці та легкий респіратор.
- ▶ Уламки матеріалу можуть завдати поранень або пошкодити очі. Використовуйте засоби індивідуального захисту і завжди надягайте захисні окуляри та захисні рукавиці.
- ▶ Під час заміни робочого інструмента користуйтеся захисними рукавицями. Контакт зі змінним робочим інструментом може призвести до отримання порізів або опіків.
- ▶ Не наближайте руки до робочої зони та до пиляльного полотна. У разі необхідності утримуйте інструмент другою рукою за корпус дуги. Якщо тримати інструмент обома руками, виключається ризик їх травмування пиляльним полотном.
- ▶ Зачекайте, доки змінний робочий інструмент повністю зупиниться, перш ніж знімати його з оброблюваного об'єкта.
- ▶ Не використовуйте затуплене або пошкоджене пиляльне полотно. Це призводить до сильного тертя, защемлення пиляльного полотна або до віддачі.
- ▶ Закріпіть оброблювану деталь на стійкій основі. Не утримуйте розпилювану деталь у руці та не підпирайте її ногою.
- ▶ Умикайте інструмент лише після того, як Ви встановили його у робоче положення.
- ▶ Під час роботи завжди спрямовуйте інструмент від себе.
- ▶ Не беріться за нижню частину оброблюваної деталі.
- ▶ Виконуйте роботу із помірним натискуванням та відповідною швидкістю різання; особливо це стосується труб великого діаметра. Це допоможе уникнути перегрівання інструмента.
- ▶ Завжди використовуйте пиляльне полотно належної довжини. Пиляльне полотно повинне виступати з протилежного боку оброблюваної деталі протягом усього робочого ходу.
- ▶ Ніколи не здійснюйте різання незнайомих матеріалів; крім того, на траєкторії пиляння під інструментом та над ним не повинно бути жодних перешкод.
  - ▶ Якщо пиляльне полотно натрапить на сторонній предмет, може виникнути віддача.
- ▶ Виберіть таке положення рук, у якому Ви зможете амортизувати віддачу інструмента.
- ▶ Інструмент слід притискати до оброблюваної деталі за допомогою притискного башмака. Завдяки цьому умови роботи будуть оптимальними та безпечними.
- ▶ Завжди перебувайте збоку від пиляльного полотна – ніколи не розміщуйте його безпосередньо перед собою. У разі виникнення віддачі пилку може з силою відкинути назад!
- ▶ Якщо пиляльне полотно защемлене або якщо Ви перериваєте роботу, вимкніть пилку та надійно утримуйте її, доки пиляльне полотно не зупиниться повністю. Поки пиляльне полотно продовжує рухатись, не тягніть пилку до себе та не намагайтеся дістати її з оброблюваної деталі – інакше це може призвести до віддачі.
- ▶ Перед повторним вмиканням пилки, яка залишилася в оброблюваній деталі, відцентруйте пиляльне полотно у пропили та перевірте, чи не застрягли зубці пиляльного полотна в деталі.
- ▶ Будьте надзвичайно обережні під час пиляння стін або інших об'єктів, протилежну сторону яких Ви не можете бачити. Під час урізного пиляння може виникнути віддача через блокування пиляльного полотна прихованими у матеріалі об'єктами.
- ▶ На час транспортування або зберігання інструмента слід активувати транспортний фіксатор.
- ▶ Дотримуйтеся вказівок виробника щодо застосування та зберігання пиляльного полотна.
- ▶ Під час наскрізної обробки укріпіть відповідну ділянку поверхні з протилежного боку деталі.
- ▶ Перед початком роботи перевіряйте робоче місце на наявність прихованих електричних кабелів, газових та водопровідних труб. Якщо під час роботи будуть випадково пошкоджені електричні кабелі, газовий або водяний трубопровід, то їхній контакт із відкритими металевими деталями інструмента може спричинити ураження електричним струмом або вихід.
- ▶ Під час наскрізного пиляння трубопроводів тримайте інструмент над трубопроводом, який Ви пиляєте.
  - ▶ Інструмент не захищений від потрапляння води всередину. Рідина, що витікає, може спричинити коротке замикання в електричній системі інструмента.
- ▶ Під час наскрізного пиляння трубопроводів переконайтеся, що у трубопроводі відсутня рідина. У разі наявності рідини її слід видалити.



## 2.4 Застосування акумуляторних батарей та дбайливий догляд за ними

- ▶ **Дотримуйтеся наведених нижче вказівок з техніки безпеки, щоб гарантувати безпечне транспортування та використання літій-іонних акумуляторних батарей.** Невиконання цих вказівок може призвести до подразнення шкіри, серйозних травм внаслідок контакту з корозійними речовинами, а також до хімічних опіків, пожежі та/або вибуху.
- ▶ Користуйтеся лише повністю справними акумуляторними батареями.
- ▶ Обережно поводьтеся з акумуляторними батареями, щоб уникнути їхнього пошкодження або витоків рідин, які є дуже небезпечними для здоров'я!
- ▶ Забороняється вносити зміни до конструкції акумуляторних батарей або модифікувати їх!
- ▶ Акумуляторні батареї забороняється розбирати, роздавлювати, нагрівати до температури понад 80 °C (176 °F) або спалювати.
- ▶ Не використовуйте та не заряджайте акумуляторні батареї, які зазнали впливу ударного навантаження або були пошкоджені іншим чином. Регулярно перевіряйте акумуляторні батареї на наявність пошкоджень.
- ▶ Ніколи не використовуйте акумуляторні батареї із вторинних матеріалів або відремонтовані акумуляторні батареї.
- ▶ Не застосовуйте акумуляторну батарею або акумуляторний електроінструмент у якості ударного інструмента.
- ▶ Ніколи не надавайте акумуляторні батареї впливу прямих сонячних променів, високих температур, іскор або відкритого вогню. Невиконання цієї вимоги може призвести до вибуху.
- ▶ Не торкайтеся полюсів елементів живлення пальцями, робочими інструментами, прикрасами, а також іншими предметами зі струмопровідних матеріалів. Невиконання цієї вимоги може привести до пошкодження акумуляторної батареї, матеріальних збитків і травм.
- ▶ Захищайте акумуляторні батареї від впливу дощу, вологі та рідин. Якщо всередину акумуляторної батареї потрапить волога, це може спричинити коротке замикання, ураження електричним струмом, опіки, пожежу або вибух.
- ▶ Використовуйте акумуляторну батарею тільки з тими електроінструментами та зарядними пристроями, для яких вона призначена. При цьому також дотримуйтеся вказівок, наведених в інструкціях з експлуатації відповідних виробів.
- ▶ Не використовуйте та не зберігайте акумуляторні батареї у вибухонебезпечному середовищі.
- ▶ Якщо акумуляторна батарея гаряча на дотик, вона може бути пошкоджена. Залиште акумуляторну батарею у захищеному від вогню місці на достатній відстані від горючих матеріалів, де за нею можна спостерігати. Зачекайте, доки акумуляторна батарея не охолоне. Якщо через годину акумуляторна батарея все ще залишається гарячою на дотик, це свідчить про її несправність. Зверніться до сервісної служби компанії **Hilti** або ознайомтеся з вказівками щодо техніки безпеки та належної експлуатації літій-іонних акумуляторних батарей **Hilti**.



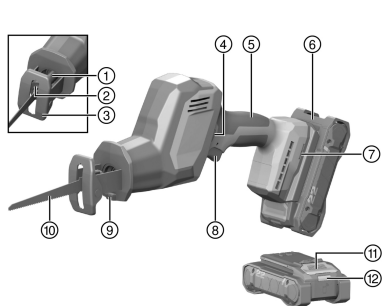
Дотримуйтеся спеціальних вказівок щодо транспортування, зберігання та використання літій-іонних акумуляторних батарей.

Ознайомтеся з вказівками щодо техніки безпеки та належної експлуатації літій-іонних акумуляторних батарей **Hilti**: для цього відскануйте QR-код, наведений наприкінці цієї інструкції з експлуатації.



## 3 Опис

### 3.1 Огляд продукту



- ① Фіксуюча гільза пиляльного полотна
- ② Затисний патрон пиляльного полотна
- ③ Притисний башмак
- ④ Транспортний фіксатор
- ⑤ Рукоятка
- ⑥ Акумуляторна батарея
- ⑦ Отвір для встановлення приладдя
- ⑧ Вимикач
- ⑨ Освітлення робочої зони (світлодіодне)
- ⑩ Пиляльне полотно
- ⑪ Деблокувальна кнопка акумуляторної батареї
- ⑫ Індикатор статусу акумуляторної батареї

### 3.2 Використання за призначенням

Описаний у цьому документі інструмент являє собою акумуляторну шабельну пилку. Інструмент призначений для розпилювання деревини та подібних до неї матеріалів, а також металу, цегли та пластику.

Під час використання інструмент слід утримувати однією рукою.

- Використовуйте із цим інструментом лише літій-іонні акумуляторні батареї **Hilti Nuron** типу В 22. Щоб забезпечити оптимальну потужність інструмента, компанія **Hilti** рекомендує використовувати з ним акумуляторні батареї, зазначені у таблиці наприкінці цієї інструкції з експлуатації.
- Для заряджання цих акумуляторних батарей використовуйте зарядні пристрої **Hilti** лише тих типів, які зазначені у таблиці наприкінці цієї інструкції з експлуатації.

### 3.3 Можливі варіанти неналежного використання

- ▶ Забороняється здійснювати різання бетону, газобетону, природного каменю або кахлі.
- ▶ Не використовуйте інструмент для пиляння трубопроводів, які містять рідину.
- ▶ Не пиляйте незнайомі матеріали.

### 3.4 Комплект постачання

Шабельна пилка, інструкція з експлуатації.

Інше приладдя, допущене до експлуатації з Вашим інструментом, Ви можете придбати у **Hilti Store** або на веб-сайті [www.hilti.group](http://www.hilti.group)

### 3.5 Варіанти індикації літій-іонної акумуляторної батареї

Літій-іонні акумуляторні батареї **Hilti Nuron** оснащені індикаторами, які можуть відображати стан заряду, повідомлення про несправності, а також позначати стан акумуляторної батареї.

#### 3.5.1 Індикація стану заряду та повідомлень про несправність

##### ПОПЕРЕДЖЕННЯ

**Ризик отримання травм через падіння акумуляторної батареї!**

- ▶ Якщо Ви натиснули на деблокувальну кнопку, коли акумуляторна батарея встановлена в інструмент, будь ласка, переконайтеся, що вона належним чином зафіксована.

Щоб відобразити одну з наведених нижче індикацій, короткочасно натисніть деблокувальну кнопку акумуляторної батареї.

Після приєднання інструмента індикатор постійно показуватиме стан заряду акумуляторної батареї, а також можливі несправності.



Стан	Значення
Чотири (4) світлодіоди постійно горять зеленим кольором	Стан заряду: від 100 % до 71 %
Три (3) світлодіоди постійно горять зеленим кольором	Стан заряду: від 70 % до 51 %
Два (2) світлодіоди постійно горять зеленим кольором	Стан заряду: від 50 % до 26 %
Один (1) світлодіод постійно горить зеленим кольором	Стан заряду: від 25 % до 10 %
Один (1) світлодіод повільно мигає зеленим кольором	Стан заряду: < 10 %
Один (1) світлодіод швидко мигає зеленим кольором	Літій-іонна акумуляторна батарея повністю розряджена. Зарядіть акумуляторну батарею. Якщо після заряджання акумуляторної батареї світлодіод продовжує швидко мигати, будь ласка, зверніться до сервісної служби компанії <b>Hilti</b> .
Один (1) світлодіод швидко мигає жовтим кольором	Літій-іонна акумуляторна батарея або приєднаний до неї інструмент перенавантажені, занадто гарячі або занадто холодні або виникла інша помилка. Зачекайте, доки інструмент і акумуляторна батарея не нагріються або не охолонуть до належної робочої температури, та надалі уникайте перенавантаження інструмента під час використання. Якщо індикація не зникає, будь ласка, зверніться до сервісної служби компанії <b>Hilti</b> .
Один (1) світлодіод горить жовтим кольором	Літій-іонна акумуляторна батарея та відповідний інструмент несумісні. Будь ласка, зверніться до сервісної служби компанії <b>Hilti</b> .
Один (1) світлодіод швидко мигає червоним кольором	Літій-іонна акумуляторна батарея заблокована та більше не може використовуватися. Будь ласка, зверніться до сервісної служби компанії <b>Hilti</b> .

### 3.5.2 Індикація стану акумуляторної батареї

Щоб відобразити індикацію стану акумуляторної батареї, натисніть і утримуйте деблокувальну кнопку протягом більше трьох секунд. Система не встановила жодних потенційних несправностей елемента живлення, обумовлених його неналежним використанням, наприклад падінням, проколюванням, пошкодженням внаслідок впливу високих температур тощо.

Стан	Значення
Усі світлодіоди послідовно загоряються, після чого один (1) світлодіод починає постійно горіти зеленим кольором.	Експлуатацію акумуляторної батареї можна продовжувати.
Усі світлодіоди послідовно загоряються, після чого один (1) світлодіод починає швидко мигати жовтим кольором.	Не вдалося завершити перевірку стану акумуляторної батареї. Повторіть операцію або зверніться до сервісної служби компанії <b>Hilti</b> .
Усі світлодіоди послідовно загоряються, після чого один (1) світлодіод починає постійно горіти червоним кольором.	Якщо використання приєданого інструмента можна продовжувати, це означає, що залишкова ємність акумуляторної батареї становить менше 50 %. Якщо використання приєданого інструмента вже не можна продовжувати, це означає, що строк служби акумуляторної батареї закінчився та її потрібно замінити. Будь ласка, зверніться до сервісної служби компанії <b>Hilti</b> .



## 4 Технічні дані

### 4.1 Шабельна пилка

	SR 4-22
Покоління виробу	02
Номінальна напруга	21,6 В
Маса відповідно до EPTA Procedure 01 без акумуляторної батареї	2 кг
Кількість робочих ходів	0 об/хв ... 3 000 об/хв
Довжина робочого ходу	23,2 мм
Затискний патрон без ключа для стандартних робочих інструментів	1/2 дюйм
Температура зберігання	-20 °C ... 70 °C
Температура навколишнього середовища під час роботи	-17 °C ... 60 °C

### 4.2 Акумуляторна батарея

Робоча напруга акумуляторної батареї	21,6 В
Маса акумуляторної батареї	Інформація наведена наприкінці цієї інструкції з експлуатації
Температура навколишнього середовища під час роботи	-17 °C ... 60 °C
Температура зберігання	-20 °C ... 40 °C
Температура акумуляторної батареї на початку процесу заряджання	-10 °C ... 45 °C

### 4.3 Дані про шум та значення вібрації

Наведені у цих рекомендаціях значення звукового тиску та вібрації були виміряні згідно з установленою процедурою вимірювання та можуть використовуватися для порівняння електроінструментів. Вони також придатні для попереднього оцінювання шумового та вібраційного навантаження.

Наведені дані обумовлюють переважні сфери застосування електроінструмента. Однак якщо Ви використовуєте його не за призначенням, застосовуєте нестандартне приладдя або неналежним чином здійснюєте догляд за інструментом, ці дані можуть відрізнитися від вказаних значень. Це може призвести до помітного збільшення шумового та вібраційного навантаження протягом усього робочого часу.

Для більш точної оцінки шумового та вібраційного навантаження необхідно враховувати також проміжки часу, протягом яких виріб залишається вимкненим або працює на холостому ходу. Це може значно зменшити вібраційне та шумове навантаження протягом усього робочого часу.

Необхідно також вживати додаткових заходів безпеки з метою захисту працівників від дії шуму та/або вібрації, зокрема: проводити своєчасне технічне обслуговування електроінструмента та змінних робочих інструментів до нього, утримувати руки у теплі, належним чином організувати робочий процес.

Більш детальна інформація щодо версій стандарту **EN 62841**, які використовуються тут, наведена в копії сертифіката відповідності 220.

#### Інформація про шум

	SR 4-22
Рівень шумової потужності ( $L_{WA}$ )	95 дБ(А)
Похибка для рівня шумової потужності ( $K_{WA}$ )	5 дБ(А)
Рівень звукового тиску ( $L_{pA}$ )	87 дБ(А)
Похибка для рівня звукового тиску ( $K_{pA}$ )	5 дБ(А)

#### Інформація про вібрацію

Рівень вібрації, що створюється під час пиляння ДСП ( $a_{h,v}$ )	<b>B 22-55</b>	12,8 м/с <sup>2</sup>
	<b>B 22-85</b>	11,1 м/с <sup>2</sup>
Рівень вібрації, що створюється під час пиляння дерев'яних балок ( $a_{h,wb}$ )	<b>B 22-55</b>	11,5 м/с <sup>2</sup>



Рівень вібрації, що створюється під час пиляння дерев'яних балок ( $a_{h,wb}$ )	B 22-85	12,2 м/с <sup>2</sup>
Похибка (K)		1,5 м/с <sup>2</sup>

## 5 Експлуатація

### 5.1 Заряджання акумуляторної батареї

- Перед заряджанням акумуляторної батареї прочитайте інструкцію з експлуатації зарядного пристрою.
- Контакти акумуляторної батареї та зарядного пристрою повинні бути чистими та сухими.
- Заряджайте акумуляторну батарею тільки за допомогою тих зарядних пристроїв, які допущені до застосування з нею. 127

### 5.2 Установлення акумуляторної батареї

#### ПОПЕРЕДЖЕННЯ

**Ризик отримання травм внаслідок короткого замикання або падіння акумуляторної батареї!**

- ▶ Перш ніж установлювати акумуляторну батарею, переконайтеся, що на контактах батареї та інструмента немає сторонніх предметів.
  - ▶ Завжди перевіряйте, щоб акумуляторна батарея була правильно зафіксована.
- Перед першим використанням акумуляторну батарею слід повністю зарядити.
  - Уставте акумуляторну батарею в інструмент, щоб вона зафіксувалася із чітким характерним звуком.
  - Переконайтеся, що акумуляторна батарея надійно зафіксована в інструменті.

### 5.3 Виймання акумуляторної батареї

- Натисніть на деблокувальну кнопку акумуляторної батареї.
- Дістаньте акумуляторну батарею з інструмента.

### 5.4 Захист від падіння з висоти

#### ПОПЕРЕДЖЕННЯ

**Ризик отримання травм внаслідок падіння робочого інструмента та/або приладдя!**

- ▶ Використовуйте тільки той страхувальний строп для інструментів **Hilti**, який рекомендований для Вашого інструмента.
- ▶ Перед кожним використанням перевіряйте точку кріплення страхувального стропа для інструментів на наявність можливих пошкоджень.

Дотримуйтеся місцевих указівок щодо виконання робіт на висоті.

У якості пристрою для попередження падіння цього інструмента використовуйте тільки комбінацію захисту від падіння **Hilti** номер #2293133 та страхувального стропа для інструментів **Hilti** номер #2261970.

- ▶ Закріпіть захист від падіння в отворах для встановлення приладдя. Перевірте надійність кріплення.
- ▶ Закріпіть один гачок карабіна страхувального стропа для інструментів на захисті від падіння, а інший гачок карабіна – на несучій конструкції. Перевірте надійність кріплення обох гачків карабіна.

Дотримуйтеся вказівок, наведених в інструкції з експлуатації захисту від падіння **Hilti** та страхувального стропа для інструментів **Hilti**.

### 5.5 Установлення пиляльного полотна

Використовуйте тільки ті пиляльні полотна, які оснащені хвостовиком довжиною 1/2".



1. Перевірте, щоб хвостовик змінного робочого інструмента був чистий та злегка змащений мастилом. У разі необхідності очистіть його та нанесіть на нього тонким шаром мастило.
2. Поверніть фіксуючу гільзу затискного патрона проти годинникової стрілки та утримуйте її натиснутою.
3. Протривайте пиляльне полотно уперед та вставте його у затискний патрон.
4. Відпустіть фіксуючу гільзу та дайте їй повернутися у вихідне положення, доки вона не зафіксується із чітким характерним звуком.
5. Перевірте, чи зафіксоване пиляльне полотно, потягнувши за нього.

## 5.6 Знімання пиляльного полотна

### ОБЕРЕЖНО

**Ризик отримання травм!** Змінний робочий інструмент може бути гарячим та/або його кромки – гострими.

- ▶ Під час заміни робочого інструмента використовуйте захисні рукавиці.
- ▶ Ніколи не кладіть гарячий змінний робочий інструмент на легкозаймисті матеріали.

1. Поверніть фіксуючу гільзу затискного патрона проти годинникової стрілки та утримуйте її натиснутою.
2. Потягніть пиляльне полотно уперед та дістаньте його із затискного патрона.
3. Відпустіть фіксуючу гільзу та дайте їй повернутися у вихідне положення.

## 6 Експлуатація

Дотримуйтеся попереджувальних вказівок та вказівок з техніки безпеки, наведених у цьому документі та на корпусі інструмента.

### 6.1 Пиляння

#### ПОПЕРЕДЖЕННЯ

**Небезпека травмування через контакт із робочим інструментом пилки, який продовжує рухатися за інерцією!**

- ▶ Виймати інструмент з оброблюваної заготовки слід тільки після його повної зупинки.
- ▶ Зачекайте, доки інструмент повністю не зупиниться, перш ніж виймати його з оброблюваної заготовки.

1. Деактивуйте транспортний фіксатор та натисніть на вимикач інструмента.
2. Після закінчення пиляння відпустіть вимикач інструмента.
3. Активуйте транспортний фіксатор.

## 7 Догляд і технічне обслуговування

#### ПОПЕРЕДЖЕННЯ

**Небезпека травмування під час виконання робіт на інструменті з установленою акумуляторною батареєю!**

- ▶ Завжди діставайте з інструмента акумуляторну батарею, перш ніж розпочинати будь-які роботи з догляду та технічного обслуговування!

#### Догляд за інструментом

- Видаляйте накопичення бруду обережно.
- Якщо конструкцією інструмента передбачені вентиляційні прорізи, обережно прочищайте їх м'якою сухою щіткою.
- Чистьте корпус інструмента тільки вологою тканиною. Не використовуйте миючі засоби, що містять силікон, оскільки вони можуть пошкодити пластмасові деталі.
- Регулярно чистьте і змащуйте затискний патрон. Для цього використовуйте аерозольне мастило Hilti 314648.
- Для чищення контактів інструмента використовуйте чисту суху тканину.

#### Догляд за літій-іонними акумуляторними батареями

- Ніколи не використовуйте елементи живлення із заблокованими вентиляційними прорізами. Обережно прочищайте вентиляційні прорізи м'якою сухою щіткою.



- Уникайте зайвого контакту акумуляторної батареї з пилом або брудом. Ніколи не піддавайте акумуляторну батарею впливу високої вологості (зокрема, не занурюйте її у воду та не залишайте під дощем).  
Якщо рідина потрапила всередину акумуляторної батареї, з нею слід поводитися як із пошкодженою акумуляторною батареєю. Ізолюйте акумуляторну батарею у контейнері з незаймистого матеріалу та зверніться до сервісної служби компанії **Hilti**.
- Не допускайте забруднення акумуляторної батареї сторонніми мастильними матеріалами. Слідкуйте за тим, щоб на акумуляторній батареї не накопичувалась занадто велика кількість пилу або бруду. Видаляйте забруднення з акумуляторної батареї м'якою сухою щіткою або чистою сухою тканиною. Не використовуйте миючі засоби, що містять силікон, оскільки вони можуть пошкодити пластмасові деталі.  
Не торкайтеся контактів акумуляторної батареї та не видаляйте з них мастильні матеріали, нанесені на заводі виробника.
- Чистьте корпус інструмента тільки вологою тканиною. Не використовуйте миючі засоби, що містять силікон, оскільки вони можуть пошкодити пластмасові деталі.

### Технічне обслуговування

- Регулярно перевіряйте усі зовнішні частини інструмента на наявність пошкоджень, а органи керування – на предмет справної роботи.
- Не використовуйте інструмент у разі виявлення пошкоджень та/або порушень функціональності. негайно передайте інструмент до сервісної служби компанії **Hilti** для здійснення ремонту.
- Після завершення робіт з догляду і технічного обслуговування встановіть усі захисні пристрої та перевірте їхню роботу.



Щоб гарантувати належну роботу інструмента, використовуйте тільки оригінальні запасні частини та видаткові матеріали. Рекомендовані компаніїю **Hilti** запасні частини, видаткові матеріали та приладдя для інструмента Ви можете придбати у найближчому магазині **Hilti Store** або на веб-сайті [www.hilti.group](http://www.hilti.group)

## 8 Транспортування та зберігання

### Транспортування акумуляторних інструментів та акумуляторних батарей

#### **ОБЕРЕЖНО**

#### Непередбачене увімкнення інструмента під час транспортування !

- ▶ На час транспортування завжди діставайте з інструмента акумуляторну батарею!
- ▶ Діставайте акумуляторну(-) батарею(-).
- ▶ Ніколи не перевозьте акумуляторні батареї у незапакованому вигляді. Під час перевезення акумуляторні батареї повинні бути захищені від сильних поштовхів та вібрацій, а також ізольовані від будь-яких струмопровідних матеріалів та від інших акумуляторних батарей. Це дозволить уникнути короткого замикання, яке може статися через контакт полюсів різних акумуляторних батарей. **Дотримуйтеся місцевих правил, які регламентують порядок перевезення акумуляторних батарей.**
- ▶ Забороняється пересилати акумуляторні батареї поштою. Для пересилання непошкоджених акумуляторних батарей зверніться до кур'єрської служби.
- ▶ Перед кожним використанням, а також перед тривалим транспортуванням і після його завершення перевіряйте інструмент та акумуляторні батареї на наявність пошкоджень.

### Зберігання акумуляторних інструментів та акумуляторних батарей

#### **ПОПЕРЕДЖЕННЯ**

#### Непередбачене пошкодження інструмента через несправність акумуляторної батареї або через виток електроліту з акумуляторної батареї !

- ▶ На час зберігання завжди діставайте з інструмента акумуляторну батарею!
- ▶ Зберігайте інструмент та акумуляторні батареї у сухому прохолодному місці. Дотримуйтеся діапазону температур, зазначеного в технічних даних 129 інструмента.
- ▶ Не зберігайте акумуляторні батареї на зарядному пристрої. Після закінчення процесу заряджання завжди від'єднуйте акумуляторну батарею від зарядного пристрою.
- ▶ Не зберігайте акумуляторні батареї на сонці, біля джерел тепла або на підвіконні.
- ▶ Зберігайте інструмент та акумуляторні батареї у сухому місці, недоступному для дітей та сторонніх осіб.







- ▶ Перед кожним використанням, а також перед тривалим зберіганням і після його завершення перевіряйте інструмент та акумуляторні батареї на наявність пошкоджень.

## 9 Допомога у разі виникнення несправностей

У разі виникнення будь-яких несправностей звертайте увагу на індикатор стану заряду та несправності акумуляторної батареї. Додаткова інформація наведена у розділі «Варіанти індикації літій-іонної акумуляторної батареї».

У разі виникнення несправностей, які не зазначені у цій таблиці або які Ви не можете полагодити самостійно, зверніться до сервісної служби компанії **Hilti**.


Несправність	Можлива причина	Рішення
Акумуляторна батарея розряджається швидше, ніж звичайно.	Стан заряду акумуляторної батареї не є оптимальним.	▶ Перевірте індикацію стану заряду акумуляторної батареї.  127
Акумуляторна батарея не зафіксується із чітко відчутним клацанням.	Фіксатор акумуляторної батареї засмічений.	▶ Прочистьте зачіпку фіксатора та вставте акумуляторну батарею знову.
Індикація світлодіодів відсутня.	Акумуляторна батарея встановлена в інструмент не до кінця.	▶ Зафіксуйте акумуляторну батарею із чітко відчутним клацанням.
	Акумуляторна батарея несправна.	▶ Зверніться до сервісної служби компанії <b>Hilti</b> .
Не вдається зняти пиляльне полотно із затискного патрона.	Блокувальний важіль натиснуто не до упору.	▶ Поверніть блокувальний важіль до упору та дістаньте пиляльне полотно.
	Затискний патрон засмічений залишками оброблюваного матеріалу.	▶ Видаліть залишки оброблюваного матеріалу та регулярно чистьте затискний патрон ззовні. Догляд за інструментом.  131
Інструмент працює не на повну потужність.	Вимикач неповністю натиснуто.	▶ Натисніть на вимикач інструмента до упору.
	Акумуляторна батарея розряджена.	▶ Замініть акумуляторну батарею та зарядіть розряджену акумуляторну батарею.
Не вдається зняти пиляльне полотно із затискного патрона.	Фіксуюча гільза повернута не до упору.	▶ Поверніть фіксуючу гільзу до упору та зніміть пиляльне полотно.

## 10 Утилізація

### ПОПЕРЕДЖЕННЯ

**Ризик отримання травм внаслідок неналежної утилізації!** Небезпека для здоров'я внаслідок контакту з газами або рідинами, що виходять з акумуляторної батареї.

- ▶ Пошкоджені акумуляторні батареї забороняється пересилати поштою або кур'єрською службою!
- ▶ Закрийте контакти акумуляторних батарей електронепровідним матеріалом, щоб запобігти короткому замиканню.
- ▶ Утилізуйте акумуляторні батареї таким чином, щоб вони не потрапили до рук дітей.
- ▶ Щоб утилізувати акумуляторну батарею, передайте її до найближчого магазину **Hilti Store** або зверніться до представника відповідної компанії з утилізації відходів.

 Більшість матеріалів, з яких виготовлено інструменти компанії **Hilti**, придатні для вторинної переробки. Передумовою для їхньої вторинної переробки є належне сортування відходів за типом матеріалу. У багатьох країнах світу компанія **Hilti** приймає старі інструменти для їхньої утилізації. Щоб отримати додаткову інформацію, звертайтеся до сервісної служби компанії **Hilti** або до свого торгового консультанта.





- ▶ Не викидайте електроінструменти, електронні пристрої та акумуляторні батареї у баки для побутового сміття!

## 11 Гарантійні зобов'язання виробника

- ▶ З питань гарантії, будь ласка, звертайтеся до найближчого партнера компанії **Hilti**.

## 12 Додаткова інформація



Щоб ознайомитися із додатковою інформацією про застосування й технічне обслуговування інструмента, його вплив на навколишнє середовище, а також про його утилізацію, будь ласка, скористайтеся цим посиланням: [qr.hilti.com/manual/?id=2243480&id=2243482](http://qr.hilti.com/manual/?id=2243480&id=2243482)

Це посилання також наведено наприкінці документа у вигляді QR-коду.

## Түпнұсқа пайдалану бойынша нұсқаулық

### 1 Пайдалану бойынша нұсқаулық туралы мәліметтер

#### 1.1 Осы пайдалану бойынша нұсқаулық туралы



#### Импорттауыш және өндірушінің өкілетті ұйымы

- (RU) Ресей Федерациясы  
"Хилти Дистрибьюшн ЛТД" АҚ, 141402, Мәскеу облысы, Химки қ., Ленинградская к-сі, 25-бет, 15.26-құрылымы
- (BY) Беларусь Республикасы  
"Хилти БиУай" ЖШС, 222750, Минск облысы, Дзержин ауданы, Р-1, 18 км, 2 (Слободка ауылының жанында), 1-34 құрылымы
- (KZ) Қазақстан Республикасы  
"Хилти Қазақстан" ЖШС, 050057, Алматы қ., Бостандық ауданы, Тимирязев к-сі, 42/15 үй, литер 012 (15 корпус)
- (KG) Қырғыз Республикасы  
"Т AND Т" ЖШҚ, 720021, Қырғызстан, Бішкек қ., Ибраимов көш., 29 А үйі
- (AM) Армения Республикасы  
"ЭЙЧ-КОН" ЖШҚ, 0070, Ереван қ., Ерманда Кочар к-сі, 19/28

Өндірілген елі: жабдықтағы белгілеу тақтайшасын қараңыз.

Өндірілген күні: жабдықтағы белгілеу тақтайшасын қараңыз.

Тиісті сертификатты мына мекенжай бойынша табуға болады: [www.hilti.ru](http://www.hilti.ru)

Сақтау, тасымалдау және пайдалану шарттарына пайдалану бойынша нұсқаулықта белгіленгеннен басқа арнайы талаптар қойылмайды.

Өнімнің қызмет ету мерзімі 5 жыл.

- Ескерту! Өнімді пайдаланбас бұрын өніммен бірге берілген пайдалану бойынша нұсқаулықты, соның ішінде нұсқаулар, қауіпсіздік және ескерту нұсқауларын, суреттер мен спецификацияларды



міндетті түрде оқып шығыңыз және түсініп алыңыз. Барлық нұсқаулар, қауіпсіздік және ескерту нұсқаулары, суреттер, спецификациялар, сондай-ақ құрамдас бөлшектер және функциялармен танысып шығыңыз. Бұл нұсқау орындалмаған жағдайда, ток соғу, өрт және/немесе ауыр жарақат алу қаупі туындайды. Пайдалану бойынша нұсқаулықты, соның ішінде барлық нұсқауларды, қауіпсіздік және ескерту нұсқауларын кейін пайдалану үшін сақтап қойыңыз.

- **HILTI** өнімдері кәсіби пайдаланушыларға арналған және оларды тек қана өкілетті, білікті қызметкерлер пайдалануы, күтім және техникалық қызмет көрсетуі тиіс. Қызметкерлер қауіпсіздік техникасы бойынша арнайы нұсқау алуы керек. Өнім мен оның қосалқы құралдарын басқа мақсатта қолдану немесе олардың оқытылмаған қызметкерлердің тарапынан пайдаланылуы қауіпті.
- Берілген пайдалану бойынша нұсқаулық басып шығарылған мезетте техниканың ағымдағы жағдайына сәйкес келеді. Ағымдағы нұсқау алуы керек. Өнім мен оның қосалқы құралдарын басқа мақсатта қолдану немесе олардың оқытылмаған қызметкерлердің тарапынан пайдаланылуы қауіпті.
- Өнімді басқа тұлғаларға тек осы пайдалану бойынша нұсқаулықпен бірге беріңіз.

## 1.2 Шартты белгілердің анықтамасы

### 1.2.1 Ескерту

Ескертулер өнімді қолдану барысындағы қауіптер туралы ескертеді. Төмендегі сигналдық сөздер пайдаланылады:

#### **ҚАУІПТІ**

##### ҚАУІПТІ !

- ▶ Ауыр жарақаттарға әкелетін немесе өмірге қауіп төндіретін тікелей қауіпті жағдайдың жалпы белгіленуі.

#### **ЕСКЕРТУ**

##### ЕСКЕРТУ !

- ▶ Ауыр жарақаттарға әкелуі немесе өмірге қауіп төндіруі мүмкін ықтимал қауіпті жағдайдың жалпы белгіленуі.

#### **АБАЙЛАҢЫЗ**

##### АБАЙЛАҢЫЗ !

- ▶ Жарақат алуға немесе мүліктің зақымдалуына әкелуі мүмкін ықтимал қауіпті жағдайдың жалпы белгіленуі.

### 1.2.2 Пайдалану бойынша нұсқаулықтағы белгілер

Бұл пайдалану бойынша нұсқаулықта төмендегі белгілер пайдаланылады:

	Пайдалану бойынша нұсқаулықты ұстану
	Аспапты пайдалану бойынша нұсқаулар және басқа пайдалы ақпарат
	Қайта пайдалануға болатын материалдармен жұмыс істеу
	Электр аспаптарды және аккумуляторларды тұрмыстық қоқысқа тастамаңыз
	<b>Hilti</b> Li-Ion аккумуляторы
	<b>Hilti</b> зарядтағыш құрылғысы

### 1.2.3 Суреттердегі белгілер

Суреттерде төмендегі белгілер қолданылады:

<b>2</b>	Бұл сандар осы пайдалану бойынша нұсқаулықтың басындағы тиісті суретке сәйкес келеді.
3	Нөмірлеу суреттегі жұмыс қадамдарының реттілігін білдіреді және мәтіндегі жұмыс қадамдарынан өзгешеленуі мүмкін.



11	Позиция нөмірлері <b>Шолу</b> суретінде қолданылады және <b>Өнімге шолу</b> мақаласындағы шартты белгілердің нөмірлеріне сілтейді.
	Аталмыш белгілер өнімді қолдану барысында айрықша назарыңызды аудартады.

### 1.3 Өнімге қатысты белгілер

#### 1.3.1 Өнімдегі белгілер

Өнімде төмендегі белгілер пайдаланылуы мүмкін:

RPM	Минут ішіндегі жүрістер жиілігі
n <sub>0</sub>	Бос жүрістегі жиілік
---	Тұрақты ток
	Өнім iOS және Android платформаларымен үйлесімді NFC технологиясын қолдайды.
Li-Ion	Литий-иондық аккумулятор
	Аккумуляторды еш жағдайда соқпа құрал ретінде пайдаланбаңыз.
	Аккумуляторды құлатып жібермеңіз. Соққы тиген немесе басқа жолмен зақымдалған аккумуляторды пайдаланбаңыз.

## 2 Қауіпсіздік

### 2.1 Электр құралдары үшін қауіпсіздік техникасы бойынша жалпы нұсқаулар

**⚠ ЕСКЕРТУ** Бұл электр құралына арналған барлық қауіпсіздік нұсқауларын, нұсқауларды, суреттерді және техникалық деректерді оқып шығыңыз. Төменде берілген нұсқауларды орындамау электр тогының соғуына, өртке әкелуі мүмкін және/немесе ауыр жарақаттарды тудыруы мүмкін.

**Қауіпсіздік техникасы бойынша барлық нұсқауларды және нұсқауларды келесі пайдаланушы үшін сақтаңыз.**

Қауіпсіздік нұсқауларында қолданылатын «электр құралы» термині электр желісінен (желілік кабельмен) және аккумулятордан (желілік кабельсіз) жұмыс істейтін электр құралын білдіреді.

#### Жұмыс орны

- ▶ **Жұмыс орнындағы тазалықты және тәртіпті қадағалаңыз.** Жұмыс орнындағы ретсіздік және нашар жарық сәтсіз жағдайларға әкелуі мүмкін.
- ▶ **Жанғыш сұйықтықтар, газдар немесе шаң бар жарылыс қаупі бар аймақта электр құралын қолданбаңыз.** Жұмыс кезінде электр құралдары ұшқындар шығады және ұшқындар шаңды немесе буларды тұтандыруы мүмкін.
- ▶ **Балалардың және бөгде адамдардың жұмыс істеп тұрған электр құралына жақындауына рұқсат етпеңіз.** Жұмысқа көңіл бөлмегенде, электр құралын бақылау жоғалуы мүмкін.

#### Электр қауіпсіздігі

- ▶ **Электр құралдың байланыс ашасы электр желісінің розеткасына сай болуы керек. Айырдың конструкциясын өзгертпеңіз. Қорғауыш жерге қосуы бар электр құралдарымен бірге өтпелі айырларды қолданбаңыз.** Түпнұсқа айырлар және оларға сай розеткалар электр тогының соғу қаупін азайтады.
- ▶ **Жерге қосылған беттерге, мысалы, құбырларға, жылыту құралдарына, пештерге (плиталарға) және тоңазытқыштарға тікелей тиюді болдырмаңыз.** Жерге қосылған заттарға тигенде электр тогының соғуының үлкен қаупі туындайды.
- ▶ **Электр құралдарды жаңбырдан немесе ылғал әсерінен сақтаңыз.** Электр құралға су тиюі нәтижесінде электр тогының соғу қаупі артады.
- ▶ **Байланыс сымын басқа мақсатта қолданбаңыз, мысалы, электр құралды тасымалдау, оны іліп қою немесе электр желісінің розеткасынан айырды шығару үшін.** Байланыс сымын жылу, май, өткір жиектер немесе жылжымалы бөліктерден алшақ ұстаңыз. Байланыс сымының зақымдалуы немесе қабаттасуы нәтижесінде электр тогының соғу қаупі артады.



- ▶ Егер жұмыстар ашық ауада орындалса, тек бөлмелерден тыс қолдануға рұқсат етілген ұзартқыш сымдарды пайдаланыңыз. Бөлмелерден тыс қолдануға жарамды ұзартқыш сымды пайдалану электр тогының соғу қаупін азайтады.
- ▶ Егер электр құралмен ылғалдылық жағдайларында жұмыс істеуді болдырмау мүмкін емес болса, шығып кететін токтан қорғау автоматын қолданыңыз. Шығып кететін токтан қорғау автоматын қолдану электр тогының соғу қаупін азайтады.

#### Адамдардың қауіпсіздігі

- ▶ **Ұқыпты болыңыз, өрекеттеріңізге көңіл бөліңіз және электр құралымен жұмыс істеуге дұрыс қараңыз.** Шаршаған кезде немесе есірткі, алкоголь не дәрі қабылдаған соң электр құралын қолданбаңыз. Электр құралын қолданған кездегі зейінсіздік ауыр жарақаттарға апарып соғуы мүмкін.
- ▶ **Жеке қорғану құралдарын пайдаланыңыз және әрқашан міндетті түрде қорғаушы көзілдірікті киіңіз.** Электр құралының түріне және пайдалану жағдайларына байланысты жеке қорғану құралдарын, мысалы, шаңнан қорғайтын респираторды, сырғымайтын аяқ киімді, қорғаушы шлемді, естуді қорғау құралдарын қолдану жарақаттану қаупін азайтады.
- ▶ **Электр құралының кездейсоқ қосылуын болдырмаңыз.** Электр қуатына қосу және/немесе аккумуляторды қою, көтеру немесе тасымалдау алдында электр құралы өшірілгеніне көз жеткізіңіз. Электр құралын тасымалдағанда саусақтар сөндіргіште болатын немесе қосылған электр құралы желіге қосылатын жағдайлар сәтсіз жағдайларға әкелуі мүмкін.
- ▶ **Электр құралын қосу алдында реттеуші құрылғыларды және гайка кілтін алыңыз.** Электр құралының айналатын бөлігіндегі аспап немесе кілт жарақаттарға әкелуі мүмкін.
- ▶ **Жұмыс кезінде ыңғайсыз қалыптарға тұрмауға тырысыңыз. Үнемі тұрақты күйді және тепендікті сақтаңыз.** Бұл күтпеген жағдайларда электр құралын жақсырақ басқаруға мүмкіндік береді.
- ▶ **Арнайы киімді киіңіз. Өте бос киімді немесе әшекейлерді кимеңіз. Шашты, киімді және қолғапты электр құралының айналатын түйіндерінен сақтаңыз.** Бос киім, әшекейлер және ұзын шаш оларға ілінуі мүмкін.
- ▶ **Егер шаңды жинау және кетіруге арналған құрылғыларды қосу қарастырылған болса, олар қосылғанына және мақсаты бойынша қолданылып жатқанына көз жеткізіңіз.** Шаңды кетіру модулін пайдалану шаңның зиянды әсерін азайтады.
- ▶ **Өз мойныңызға қате қауіпсіздік сезімін алмаңыз және электр құралына арналған қауіпсіздік ережелерін бұзбаңыз, тіпті электр құралын жиі қолданатын тәжірибелі пайдаланушы болсаңыз.** Мұқиятсыз қолдану бірнеше секундта ауыр жарақаттануға апарып соғуы мүмкін.

#### Электр құралын қолдану және оған қызмет көрсету

- ▶ **Аспапқа шамадан тыс жүктеме түсуін болдырмаңыз.** Нақ осы жұмысқа арналған электр құралын қолданыңыз. Бұл ережені сақтау көрсетілген қуат диапазонында жоғарырақ жұмыс сапасын және қауіпсіздігін қамтамасыз етеді.
- ▶ **Сөндіргіші бұзылған электр құралын қолданбаңыз.** Қосу немесе өшіру қиын электр құралы қауіпті және оны жөндеу керек.
- ▶ **Электр құралын реттеуге, саймандарды ауыстыруға кірісу алдында немесе жұмыстағы үзіліс алдында розеткадан ашаны және/немесе электр құралынан алмалы-салмалы аккумуляторды шығарыңыз.** Бұл сақтық шарасы электр құралының кездейсоқ қосылуын болдырмайды.
- ▶ **Қолданылмайтын электр құралдарын балалар жетпейтін жерде сақтаңыз.** Аспаппен таныс емес немесе осы нұсқауларды оқып шықпаған адамдарға аспапты пайдалануға рұқсат бермеңіз. Электр құралдары тәжірибесі жоқ пайдаланушылардың қолында қауіпті болады.
- ▶ **Электр құралдары мен керек-жарақтарға ұқыпты қараңыз.** Айналмалы бөліктердің мүлтіксіз қызмет ететінін, олардың жүрісінің жеңілдігін, барлық бөліктердің тұтастығын және электр құралының жұмысына теріс әсер етуі мүмкін зақымдардың жоқтығын тексеріңіз. Аспаптың зақымдалған бөліктерін оны қолдану алдында жөндеуге өткізіңіз. Электр құралына техникалық қызмет көрсету ережелерін сақтамау көп сәтсіз жағдайлардың себебі болып табылады.
- ▶ **Кескіш аспаптардың үшкір және таза болуын қадағалау керек.** Жұмыс күйінде сақталатын кескіш аспаптардың сыналануы сиректеу болады, оларды басқару жеңілдеу.
- ▶ **Электр құралын, саймандарды, көмекші құрылғыларды және т.б. нұсқауларға сай пайдаланыңыз.** Бұл кезде жұмыс жағдайлары және орындалатын жұмыстың сипатын ескеріңіз. Электр құралдарын басқа мақсаттарда қолдану қауіпті жағдайларға әкелуі мүмкін.
- ▶ **Тұтқыштар мен тұтқыш беттерін таза, құрғақ, май іздерінсіз ұстаңыз.** Сырғанақ тұтқыштар мен олардың беттері белгілі бір жағдайларда электр құралының қауіпсіз қолданылуы мен басқарылуына жол бермейді.



**Аккумуляторлық аспапты пайдалану және оған қарау**

- ▶ **Аккумуляторды тек өндіруші ұсынған зарядтағыш құрылғылардың көмегімен зарядтаңыз.** Зарядтағыш құрылғыны тиісті емес аккумулятор түрлерін зарядтау үшін қолданғанда өрт туындауы мүмкін.
- ▶ **Аспаппен жұмыс істеу үшін тек тиісті аккумуляторларды қолданыңыз.** Басқа аккумуляторларды пайдалану жарақаттарға әкелуі және өрт тудыруы мүмкін.
- ▶ **Пайдаланылмайтын аккумуляторларды контакттардың тұйықталуының себебі болуы мүмкін скрепалардан, тындардан, кілттерден, инелерден, винттерден және басқа металл заттардан ары сақтаңыз.** Аккумулятор контактарының тұйықталуы күйіктерге немесе тұтануға әкелуі мүмкін.
- ▶ **Аккумулятормен тиісті емес түрде жұмыс істегенде одан электролит ағып шығуы мүмкін. Оған тияуді болдырмаңыз. Кездейсоқ тигенде сумен шайыңыз. Электролит көзге тигенде дәрігер көмегіне жүгініңіз.** Аккумулятордан ағып шыққан электролит тері тітіркенуін немесе күйіктерді тудыруы мүмкін.
- ▶ **Зақымдалған не пішіні өзгертілген аккумуляторларды қолданбаңыз.** Зақымдалған не пішіні өзгертілген аккумуляторларды болжауға болмайды және олар өрт, жарылыс не жарақаттану қаупін тудырады.
- ▶ **Аккумуляторды өрт не жоғары температуралы аймақтардан алшақ ұстаңыз.** Өрт немесе 130 °C (265 °F) жоғары температуралар жарылыс тудыруы мүмкін.
- ▶ **Зарядтау үшін барлық нұсқауларды орындаңыз және аккумулятор не аккумуляторлық құралды ешқашан пайдалану бойынша нұсқаулықта берілген температура ауқымдарынан тыс зарядтамаңыз.** Қате зарядтау немесе рұқсатты температура ауқымдарынан тыс зарядтау аккумуляторды бұзуы және өрт қаупін арттыруы мүмкін.

**Қызмет**

- ▶ **Электр құралын жөндеуді тек түпнұсқа қосалқы бөлшектерді қолданатын білікті қызметкерлерге сеніп тапсырыңыз.** Бұл электр құралын қауіпсіз күйде сақтауды қамтамасыз етеді.
- ▶ **Зақымдалған аккумуляторларға ешқашан қызмет көрсетпеңіз.** Аккумулятордың толық күтімін тек өндіруші немесе өкілетті қызмет көрсету орталықтары орындауы тиіс.

**2.2 Поршеньді кескіш дискісі бар араларға арналған қауіпсіздік нұсқаулары**

- ▶ **Пайдаланатын сайманыңыз көзден таса электр желісіне тиіп кетуі мүмкін болса, аспаптың арнайы жеке бөлінген жерінен ұстаңыз.** Электр сымдарына тигенде аспаптың қорғалмаған металл бөліктері кернеу астында болады. Бұл электр тогының соғуына әкелуі мүмкін.
- ▶ **Дайындаманы қысқыш немесе басқа құралдың көмегімен тұрақты астыңғы бетке бекітіп тіркеңіз.** Дайындаманы тек қана қолмен немесе денеңізге қысып ұстаған кезде, бақылау мүмкіндігінен айырылуыңыз мүмкін.

**2.3 Қауіпсіздік техникасы бойынша қосымша нұсқаулар**

- ▶ Өнімді және керек-жарақтарды тек техникалық мінсіз күйінде қолданыңыз.
- ▶ Өнімде немесе керек-жарақтарда ешқандай манипуляциялар не өзгерістер орындамаңыз.
- ▶ Ажарлау, егеуқұм қағазымен тазалау, кесу және бұрғылау кезінде пайда болатын шаңның құрамында қауіпті химиялық заттар болуы мүмкін. Мысалдары келесідей: қорғасын немесе қорғасын негізіндегі бояулар; плитка, бетон және басқа кірпіш қалау өнімдері, табиғи тас және басқа силикаттық өнімдер; өмен, шамшат және химиялық затпен өңделген сүрек сияқты белгілі бір сүрек түрлері; асбест немесе құрамында асбест бар материалдар. Пайдаланушы мен оның айналасындағы адамдарға әсер ету дәрежесін өңдеу орындатын материалдардың қауіп класы бойынша анықтаңыз. Әсерді қауіпсіз деңгейде сақтау үшін шаң жинайтын жүйелерді пайдалану немесе арнайы тыныс алу органдарының қорғанысын киіп жүру сияқты қажетті шараларды қолданыңыз. Әсер ету дәрежесін азайту бойынша жалпы шараларға төмендегілер жатады:
  - ▶ Жақсы желдетілген аймақта жұмыс істеу,
  - ▶ Шаңның ұзақ уақыт бойы тиюіне жол бермеу,
  - ▶ Шаңды көз бен денеден алыстату,
  - ▶ Қорғаныс киімін киіп жүру және әсер етілген жерлерді сумен және сабынмен жуу.
- ▶ Құлап қалған құралдардан және/немесе керек-жарақтардан жарақат алу қаупі бар. Жұмысты бастау алдында монтаждалатын керек-жарақтың берік бекітілгенін тексеріңіз.
- ▶ Желдету саңылауларын әрдайым бос ұстаңыз. Үсті жабылған желдету саңылауларынан өрт қаупі туындайды!



- ▶ Саусақтың қан айналымын жақсарту үшін жиі үзіліс жасап, жаттығу жасаңыз. Ұзақ уақыт жұмыс істеген кезде, қатты дірілдердің салдарынан саусақ, қол не буындардың қантамыры не жүжкесіне теріс әсер тиюі мүмкін.
- ▶ Бұл өнімге ешқандай белдік ілгектерін бекітпеңіз.
- ▶ Өнімнің жарығына (жарық диоды) тікелей қарамаңыз және жарықты басқа адамдардың көзіне тікелей бағытпаңыз. Соқырлық қауіп бар.
- ▶ Пайдаланушы және оның жанындағы тұлғалар өнімдермен жұмыс істеген кезде көз қорғанысын, қорғауыш шлемді, қорғауыш құлаққапты, қорғауыш қолғапты және жеңіл респираторды қолдануы керек.
- ▶ Материалдың сынықтары денені және көзді жарақаттауы мүмкін. Жеке қорғаныс жабдығын және әрдайым көз қорғанысы мен қорғауыш қолғап киіп жүріңіз.
- ▶ Құралды алмастырған кезде қорғауыш қолғап киіңіз. Алмалы-салмалы аспапқа тию кесіктерге және күйіктерге апарып соғуы мүмкін.
- ▶ Қолыңызды аралау орнынан және ара төсемінен ары ұстаңыз. Тіреуіш ретінде қажет болғанда, өнімді екінші қолмен қозғалтқыш корпусынан ұстаңыз. Араны екі қолмен ұстасаңыз, аралау кезінде қолыңызды жарақаттамайсыз.
- ▶ Өнімді алып тастау алдында ол толығымен тоқтағанша күтіңіз.
- ▶ Өтпес немесе зақымдалған ара төсемдерін пайдаланбаңыз. Бұл ара төсемінің қатты тозуын, қысылуын немесе кері соққысын болдырмайды.
- ▶ Дайындаманы тұрақты тірекке бекітіңіз. Аралап жатқан дайындаманы ешқашан қолда немесе аяқ үстінде ұстамаңыз.
- ▶ Өнімді тек жұмыс күйінде қосыңыз.
- ▶ Жұмыс барысында өнімді әрдайым денеден ары бағыттаңыз.
- ▶ Өңделетін бұйымды астынан ұстап алмаңыз.
- ▶ Біркелкі қысым мен үйлесімді кесу жылдамдығын пайдаланып жұмыс істеңіз, әсіресе диаметрі үлкен құбырларды кескенде. Бұл өнімдердің қызып кетуін болдырмау үшін қажет.
- ▶ Әрдайым өлшенген ұзын ара төсемін пайдаланыңыз. Ара төсемі бүкіл жұмыс барысында дайындаманың үстінен шығып тұруы керек.
- ▶ Кесу кезінде төсемді тексерілмеген жасырын қуыстарға салмаңыз.
  - ▶ Кескіш диск нысанға тиген кезде, бұл өнімнің кері серпілуіне әкелуі мүмкін.
- ▶ Қолыңызды кері соққы күшін теңестіруге мүмкіндік беретін күйге келтіріңіз.
- ▶ Өнімді қысқыш тірегімен өңделетін дайындамаға басып тұру керек. Бұл оңтайлы және қауіпсіз жұмыс үшін керек.
- ▶ Әрқашан ара төсемінен ары тұрыңыз, ешқашан ара төсемін денеңіздің осі бойынша жүргізбеңіз. Кері соққы араны артқа секіртіп алуы мүмкін!
- ▶ Ара төсемі сыналғанға немесе жұмыс басқа себеппен үзілсе, араны өшіріңіз және оны ара төсемі толық тоқтағанша ұстаңыз. Айналып жатқанда немесе кері соққы пайда болуы мүмкін болса, ешқашан ара төсемін дайындамадан шығаруға, артқа жіберуге тырыспаңыз.
- ▶ Дайындамада тұрып қалған араны қайта қосқыңыз келсе, алдымен аралау орнында ара төсемін ортаға келтіріңіз және төсем тістерінің еркіндігін тексеріңіз.
- ▶ Қабырғаларда немесе басқа көру мүмкін емес аймақтарда аралауды орындау кезінде әсіресе сақ болыңыз. Бататын ара төсемі аралау кезінде жасырын нысанда бұғатталуы және кері соққы тудыруы мүмкін.
- ▶ Өнімді сақтау және тасымалдау кезінде тасымалдау сақтандырығышын іске қосыңыз.
- ▶ Ара төсемдерін қолдану және оларға қызмет көрсету бойынша өндірушінің нұсқауларын орындаңыз.
- ▶ Тесіп өтетін бұрғылау кезінде қауіпті аймақты қабырғаның қарама-қарсы жағынан қоршаңыз.
- ▶ Жұмысты бастамас бұрын жұмыс аймағында жасырын сымдардың, газ бен су құбырларының бар-жоғын тексеріп шығыңыз. Қуып сымына, газ немесе су құбырына зақым келтірген жағдайда, өнімнің сыртындағы металл бөлшектер ток соғуға немесе жарылысқа әкелуі мүмкін.
- ▶ Құбырларды кескен кезде өнімді кесу сызығынан жоғарырақ ұстаңыз.
  - ▶ Өнімде ылғал кіруден қорғаныс қарастырылмаған. Ағып шығатын сұйықтық өнімде қысқа тұйықталуға апарып соғуы мүмкін.
- ▶ Құбырларды кескен кезде, құбырлардың ішінде ешқандай сұйықтықтың жоқтығына көз жеткізіңіз. Қажет болса, оларды босатыңыз.

## 2.4 Аккумулятормен дұрыс жұмыс істеу және оны дұрыс пайдалану

- ▶ **Литий-иондық аккумуляторларды пайдалану және күту бойынша төмендегі қауіпсіздік шараларын орындаңыз.** Нұсқауларды орындамау тері тітіркенуіне, ауыр тот басқаныш жарақаттарға, химиялық күйіктерге, өртенуге және/немесе жарылысқа апарып соғуы мүмкін.



- ▶ Аккумуляторларды тек техникалық мінсіз күйінде қолданыңыз.
- ▶ Зақымдалуды болдырмау және денсаулыққа қатты зиян келтіре алатын сұйықтықтардың шығуына жол бермеу үшін аккумуляторларды абайлап қолданыңыз!
- ▶ Аккумуляторларды ешбір жағдайда модификациялауға немесе құрылымына өзгеріс енгізуге болмайды!
- ▶ Аккумуляторларды бөлшектеуге, қысуға, 80°C (176°F) шамасынан жоғары температураға дейін қыздыруға және жағуға тыйым салынады.
- ▶ Соққы тиген немесе басқаша зақымдалған аккумуляторларды пайдаланбаңыз немесе зарядтамаңыз. Аккумуляторларда зақымдалу белгілерінің бар-жоғын жүйелі түрде тексеріп тұрыңыз.
- ▶ Еш жағдайда қайта өңделген немесе жөнделген аккумуляторларды пайдаланбаңыз.
- ▶ Ешқашан аккумуляторды немесе аккумуляторлық электр құралын соқпа құрал ретінде пайдаланбаңыз.
- ▶ Аккумуляторларға ешқашан тікелей күн сәулесі, жоғары температура, ұшқын немесе ашық жалын әсерін тигізбеңіз. Бұл жарылысқа апарып соғуы мүмкін.
- ▶ Батарея полюсіне саусақпен, құралдармен, әшекеймен немесе басқа да электр тогын өткізетін бөгде заттармен тимеңіз. Бұл аккумуляторға зақым келтіруі, сондай-ақ мүлікке залал келтіруі және жарақат алуға әкелуі мүмкін.
- ▶ Аккумуляторларды жаңбыр, ылғал мен сұйықтықтарда алшақ ұстаңыз. Еніп кеткен ылғал қысқа тұйықталу, ток соғу, күйіп қалу, өртену және жарылыс қаупін тудыруы мүмкін.
- ▶ Тек осы аккумулятор түрі үшін көзделген зарядтағыш құрылғылар мен электр құралдарын пайдаланыңыз. Бұл ретте тиісті пайдалану бойынша нұсқаулықтардағы мәліметтерге назар аударыңыз.
- ▶ Аккумуляторды жарылғыш орталарда пайдаланбаңыз немесе сақтамаңыз.
- ▶ Егер тиген кезде аккумулятор тым ыстық болса, ол ақаулы болуы мүмкін. Аккумуляторды тұтанғыш материалдардан жеткілікті қашықтықта орналасқан, жақсы көрінетін, тұтанбайтын жерге қойыңыз. Аккумуляторды суытыңыз. Аккумулятор бір сағаттан кейін әлі де қолға ыстық болып тұрса, бұл оның ақаулы екендігін білдіреді. **Hilti** қызмет көрсету орталығына жолығыңыз немесе «Қауіпсіздік және **Hilti** Li-Ion аккумуляторын пайдалану бойынша нұсқаулар» атты құжатты оқып шығыңыз.

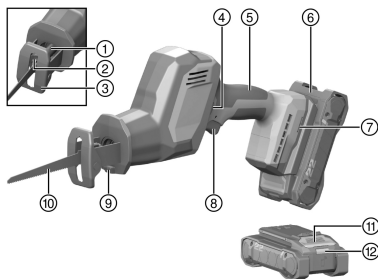


Литий-иондық аккумуляторларды тасымалдау, сақтау және пайдалану үшін қолданылатын арнайы директиваларды ескеріңіз.

Аталмыш пайдалану бойынша нұсқаулықтың соңындағы QR кодын сканерлеу арқылы табуға болатын **Hilti** Li-Ion аккумуляторларына арналған қауіпсіздік және пайдалану бойынша нұсқауларды оқып шығыңыз.

### 3 Сипаттама

#### 3.1 Өнімге шолу



- ① Ара төсемінің бекітетін құрсауы
- ② Ара төсемінің құрал бекіткіші
- ③ Қысқыш тірек
- ④ Тасымалдау кезінде бұғаттау түймесі
- ⑤ Тұтқыш
- ⑥ Аккумулятор
- ⑦ Керек-жарақтарға арналған монтаждық саңылау
- ⑧ Негізгі сөндіргіш
- ⑨ Жұмыс орнын жарықтандыру (жарық диоды)
- ⑩ Ара төсемі
- ⑪ Аккумуляторды босату түймесі
- ⑫ Аккумулятордың күй индикаторы

#### 3.2 Мақсатына сай қолдану

Сипатталған өнім аккумуляторлық қылыштық ара болып табылады. Ол ағашты, ағаш пен металл тәріздес материалдарды, кірпіш пен пластикті кесуге арналған.

Өнім бір қолмен пайдалануға арналған.





- Бұл өнім үшін тек В 22 сериялы **Hilti** Nuron Li-Ion аккумуляторларын пайдаланыңыз. **Hilti** компаниясы бұл өнім үшін оңтайлы қуатқа қол жеткізу мақсатында осы пайдалану бойынша нұсқаулықтың соңындағы кестеде көрсетілген аккумуляторларды пайдалануға кеңес береді.
- Бұл аккумуляторлар үшін тек осы пайдалану бойынша нұсқаулықтың соңындағы кестеде белгіленген серияларға жататын **Hilti** зарядтағыш құрылғыларын қолданыңыз.

### 3.3 Ықтимал қате қолдану

- ▶ Бетон, газбетон, табиғи тас немесе керамикалық плитканы кеспеніз.
- ▶ Өнімді сұйықтықпен толтырылған құбырларды кесу үшін пайдаланбаңыз.
- ▶ Кесу кезінде төсемді тексерілмеген жасырын қуыстарға батырмаңыз.

### 3.4 Жеткізілім жинағы

Қылышты ара, пайдалану бойынша нұсқаулық.

Оған қоса өніміңіз үшін рұқсат етілген жүйелік өнімдерді **Hilti Store** дүкенінде немесе мына веб-сайттан табуға болады: [www.hilti.group](http://www.hilti.group)

### 3.5 Li-Ion аккумуляторының индикаторлары

**Hilti** Nuron Li-Ion аккумуляторлары аккумуляторлардың заряд деңгейін, ақаулық туралы хабарларын және күйін көрсете алады.

#### 3.5.1 Заряд деңгейінің және ақаулық туралы хабарлардың индикаторлары

##### ЕСКЕРТУ

**Жарақат алу қаупі аккумулятордың құлауынан!**

- ▶ Аккумулятор енгізілген кезде, құлыптан босату түймесін басқаннан кейін аккумулятордың пайдаланылатын өнімге тиісінше бекітілгеніне көз жеткізіңіз.

Төмендегі индикация көрсеткіштерінің біріне қол жеткізу үшін аккумулятордың құлыптан босату түймесін қысқаша басыңыз.

Заряд деңгейі және ықтимал ақаулықтар жалғанған өнім қосылып тұрған кезде үздіксіз көрсетіледі.

Құралдың бөлшектері	Сипаттамасы
Төрт (4) жарық диоды жасыл түспен тұрақты жанып тұр	Заряд деңгейі: 100% және 71% аралығында
Үш (3) жарық диоды жасыл түспен тұрақты жанып тұр	Заряд деңгейі: 70% және 51% аралығында
Екі (2) жарық диоды жасыл түспен тұрақты жанып тұр	Заряд деңгейі: 50% және 26% аралығында
Бір (1) жарық диоды жасыл түспен тұрақты жанып тұр	Заряд деңгейі: 25% және 10% аралығында
Бір (1) жарық диоды жасыл түспен баяу жыпылықтайды	Зарядтау күйі: < 10%
Бір (1) жарық диоды жасыл түспен жылдам жыпылықтайды	Li-Ion аккумуляторының заряды толықтай таусылды. Аккумуляторды зарядтаңыз. Жарық диоды аккумуляторды зарядтағаннан кейін сонда да жылдам жыпылықтаса, <b>Hilti</b> қызмет көрсету орталығына хабарласыңыз.
Бір (1) жарық диоды сары түспен жылдам жыпылықтайды	Li-Ion аккумуляторы немесе оған байланысты өнімге артық жүктеме түсті, қатты қызып кетті немесе басқа ақаулық орын алды. Өнім мен аккумуляторды ұсынылған жұмыс температурасына жеткізіңіз және өнімді пайдаланған кезде оған артық жүктеме түсірмеңіз. Хабар көрсетіле берсе, <b>Hilti</b> қызмет көрсету орталығына хабарласыңыз.



Құралдың бөлшектері	Сипаттамасы
Бір (1) жарық диоды сары түспен жанып тұр	Li-Ion аккумуляторы және оған қосылған өнім үйлесімді емес. <b>Hilti</b> қызмет көрсету орталығына хабарласыңыз.
Бір (1) жарық диоды қызыл түспен жылдам жыпылықтайды	Li-Ion аккумуляторы құлыптаулы және оны бұдан былай пайдалану мүмкін емес. <b>Hilti</b> қызмет көрсету орталығына хабарласыңыз.

### 3.5.2 Аккумулятор күйін көрсететін индикаторлар

Аккумулятордың күйін шақыру үшін құлыптан босату түймесін үш секундтан артық басып тұрыңыз. Жүйе құлату, тесу, сыртқы жылудан зақым келтіру және т.с.с. қате қолданудан туындаған батареяның ақаулығын анықтамайды.

Құралдың бөлшектері	Сипаттамасы
Барлық жарық диодтары жұмыс шамы ретінде жанады, содан кейін бір (1) жарық диоды жасыл түспен тұрақты жанады.	Аккумуляторды ары қарай пайдалануға болады.
Барлық жарық диодтары жұмыс шамы ретінде жанады, содан кейін бір (1) жарық диоды сары түспен жылдам жыпылықтайды.	Аккумулятор күйі туралы сұрауды орындау мүмкін болмады. Әрекетті қайталаңыз немесе <b>Hilti</b> қызмет көрсету орталығына жолығыңыз.
Барлық жарық диодтары жұмыс шамы ретінде жанады, содан кейін бір (1) жарық диоды қызыл түспен тұрақты жанады.	Жалғанған өнімді ары қарай пайдалану мүмкін болса, бұл қалған аккумулятор қуатының 50% шамасынан төмен болғанын білдіреді. Жалғанған өнімді ары қарай пайдалану мүмкін болмаса, бұл аккумулятордың қызмет ету мерзімі аяқталғанын және оны алмастыру керек екендігін білдіреді. <b>Hilti</b> қызмет көрсету орталығына хабарласыңыз.

## 4 Техникалық сипаттамалар

### 4.1 Қылыштық ара

	SR 4-22
Өнім буыны	02
Номиналды кернеу	21,6 В
ЕРТА Procedure 01 стандарты бойынша аккумуляторсыз салмағы	2 кг
Жүрістер жиілігі	0 А/мин ... 3000 А/мин
Жүріс ұзындығы	23,2 мм
Стандартты құралға арналған кілтсіз құрал бекіткіші	1/2 дюйм
Сақтау температурасы	-20 °C ... 70 °C
Жұмыс кезіндегі қоршаған орта температурасы	-17 °C ... 60 °C

### 4.2 Аккумулятор

Аккумулятордың жұмыс кернеуі	21,6 В
Аккумулятор салмағы	Осы пайдалану бойынша нұсқаулықтың соңында қараңыз
Жұмыс кезіндегі қоршаған орта температурасы	-17 °C ... 60 °C
Сақтау температурасы	-20 °C ... 40 °C
Зарядтаудың басындағы аккумулятор температурасы	-10 °C ... 45 °C



### 4.3 Шуыл туралы ақпарат және діріл мәні

Осы нұсқауларда көрсетілген дыбыс қысымы мен діріл деңгейі стандартты өлшеу әдісімен өлшенген және оны басқа электр құралдарымен салыстыру үшін пайдалануға болады. Сонымен бірге, ол экспозицияны алдын ала бағалау үшін жарайды.

Берілген деректер электр құралының негізгі жұмысын көрсетеді. Алайда, егер электр құралы басқа мақсаттарда, басқа жұмыс аспаптарымен қолданылса немесе оған қанағаттандырмайтын техникалық қызмет көрсетілсе, деректер өзгеше болуы мүмкін. Осының салдарынан аспаптың бүкіл жұмыс істеу кезеңінде экспозиция айтарлықтай артуы мүмкін.

Экспозицияны дәл анықтау үшін электр құралы сөндірілген күй немесе бос жұмыс істейтін уақыт аралықтарын да ескеру керек. Осының салдарынан аспаптың бүкіл жұмыс істеу кезеңінде экспозиция айтарлықтай азаюы мүмкін.

Пайдаланушыны пайда болатын шуылдан және/немесе дірілден қорғау үшін қосымша сақтық шараларын қолданыңыз, мысалы: электр аспабына және жұмыс аспаптарына техникалық қызмет көрсету, қолдардың жылуын сақтау, жұмыс процестерін дұрыс ұйымдастыру.



Осы құжатта қолданылатын **EN 62841** стандарттарының нұсқалары туралы толық ақпарат сәйкестік бойынша декларацияның суретінде 220 берілген.

### Шуыл туралы ақпарат

	SR 4-22
Дыбыс күшінің деңгейі ( $L_{WA}$ )	95 дБ(A)
Дыбыс күшінің деңгейі бойынша дәлсіздік ( $K_{WA}$ )	5 дБ(A)
Дыбыс қысымының деңгейі ( $L_{pA}$ )	87 дБ(A)
Дыбыс қысымының деңгейі бойынша дәлсіздік ( $K_{pA}$ )	5 дБ(A)

### Діріл туралы ақпарат

Дірілдің эмиссиялық көрсеткіші, ағаш жоңқалы тақталарды аралау ( $a_{h,B}$ )	B 22-55	12,8 м/с <sup>2</sup>
	B 22-85	11,1 м/с <sup>2</sup>
Дірілдің эмиссиялық көрсеткіші, ағаш бөренелерді аралау ( $a_{h, WB}$ )	B 22-55	11,5 м/с <sup>2</sup>
	B 22-85	12,2 м/с <sup>2</sup>
Дәлсіздік (K)		1,5 м/с <sup>2</sup>

## 5 Қызмет көрсету

### 5.1 Аккумуляторды зарядтау

- Зарядтау алдында зарядтағыш құрылғының пайдалану бойынша нұсқаулығын оқып шығыңыз.
- Аккумулятордағы және зарядтағыш құрылғыдағы контактілердің таза әрі құрғақ екендігіне көз жеткізіңіз.
- Аккумуляторды рұқсат етілген зарядтағыш құрылғы ішінде зарядтаңыз. 140

### 5.2 Аккумуляторды орнату

#### ЕСКЕРТУ

**Жарақат алу қаупі қысқа тұйықталудан немесе аккумулятордың құлауынан!**

- Аккумуляторды орнату алдында аккумулятор контактілерінде және өнімдегі контактілерде бөгде заттардың жоқтығына көз жеткізіңіз.
- Аккумулятордың әркез дұрыс орнатылғанына көз жеткізіңіз.

- Аккумуляторды алғаш рет іске қоспас бұрын зарядтаңыз.
- Аккумуляторды өнімге шерту дыбысымен тірелгенше кіргізіңіз.
- Аккумулятордың аспаққа берік бекітілгенін тексеріңіз.

### 5.3 Аккумуляторды шығару

- Аккумулятордың құлыптан босату түймесін басыңыз.
- Аккумуляторды өнімнен шығарыңыз.



## 5.4 Биіктен құлаудан қорғаныс

### **ЕСКЕРТУ**

**Жарақат алу қаупі** құралдың жөне/немесе керек-жарақтың құлауынан!

- ▶ Тек өнім үшін ұсынылған **Hilti** құрал ұстағыш арқанын қолданыңыз.
- ▶ Құрал ұстағыш арқанның бекіту нүктесінде әр пайдалану алдында зақымдардың бар-жоғын тексеріп шығыңыз.


 Биік жерде жұмыс істеу бойынша ұлттық нұсқамаларды орындаңыз.

Бұл өнім үшін биіктен құлаудан қорғаныс ретінде тек **Hilti** ұсынған #2293133 құлаудан сақтандырғышын **Hilti** ұсынған #2261970 құрал ұстағыш арқанымен бірге қолданыңыз.

- ▶ Құлаудан сақтандырғышты керек-жараққа арналған монтаждық саңылауларға бекітіңіз. Берік бекітілгенін тексеріңіз.
- ▶ Құрал ұстағыш арқанның карабинін құлаудан сақтандырғышқа, ал екінші карабинді жүк көтеретін құрылымға бекітіңіз. Екі карабиннің берік бекітілгенін тексеріңіз.

 **Hilti** құлаудан сақтандырғышының және **Hilti** құрал ұстағыш арқанының пайдалану бойынша нұсқаулықтарына назар аударыңыз.

## 5.5 Ара төсемін орнату

 1/2" енгізілетін ұштарымен ара төсемдерін ғана пайдаланыңыз.

1. Құралдың енгізілетін ұшы таза және майланған екеніне көз жеткізіңіз. Қажет болса, оны тазалаңыз және майлаңыз.
2. Қысқының бекітетін құрсауын сағат тіліне қарсы бұраңыз және басып тұрыңыз.
3. Ара төсемін құрал бекіткішіне алдыңғы жағынан салыңыз.
4. Бекітетін құрсауды жіберіңіз, ол бастапқы күйге оралып, шырт етіп бекітілуі керек.
5. Тартып, төсемнің берік бекітілгенін тексеріңіз.

## 5.6 Ара төсемін алып тастау

### **АБАЙЛАҢЫЗ**

**Жарақат алу қаупі бар!** Алмалы-салмалы аспап ыстық және/немесе өткір болуы мүмкін.

- ▶ Алмалы-салмалы аспапты ауыстырған кезде қорғауыш қаптаманы тіреңіз.
  - ▶ Ыстық алмалы-салмалы аспапты тұтанғыш беттерге ешқашан қоймаңыз.
1. Қысқының бекітетін құрсауын сағат тіліне қарсы бұраңыз және басып тұрыңыз.
  2. Ара төсемін құрал бекіткішінен шығарыңыз.
  3. Бекітетін құрсауды жіберіңіз.

## 6 Қызмет көрсету

Осы құжаттамадағы және өнімдегі қауіпсіздік және ескерту нұсқауларын орындаңыз.

### 6.1 Аралау

#### **ЕСКЕРТУ**

**Жұмыс істеп тұрған арадан жарақат алу қаупі !**

- ▶ Алдымен өнімді еңделетін бөлшектен ары апарыңыз, тек содан кейін толығымен іске қосыңыз.
- ▶ Өнімді алып тастау алдында оның толығымен тоқтатылған күйге орнатылғанына дейін күтіңіз.

1. Тасымалдау кезінде бұғаттау түймесін ажыратып, содан кейін сөндіргішті басыңыз.
2. Аралау процесін аяқтағаннан кейін, сөндіргішті босатыңыз.
3. Тасымалдау кезінде бұғаттау түймесін белсендіріңіз.



## 7 Күтім және техникалық қызмет көрсету

### ЕСКЕРТУ

**Аккумулятор енгізілген кезде жарақат алу қаупі бар !**

- ▶ Күтім және техникалық қызмет көрсету бойынша кез келген жұмыстарды орындамас бұрын әрдайым аккумуляторды шығарыңыз!

### Өнімге қызмет көрсету

- Қатты жабысып қалған кірді абайлап кетіріңіз.
- Бр болса, желдету саңылауларын құрғақ, жұмсақ қылшақпен мұқият тазалаңыз.
- Корпусты сәл суланған шүберекпен ғана тазалаңыз. Ешқандай силикон қамтитын күтім құралдарын пайдаланбаңыз, себебі олар пластик бөлшектерге зақым келтіруі мүмкін.
- Құрал бекіткішінің сыртын жүйелі түрде тазалап және майлап тұрыңыз. Ол үшін Hilti ұсынған 314648 спрейін қолданыңыз.
- Өнімнің контактілерін тазалау үшін таза, құрғақ шүберекті қолданыңыз.

### Литий-иондық аккумуляторға қызмет көрсету

- Еш жағдайда желдету саңылаулары бітелген батареяны қолданбаңыз. Желдету саңылауларын құрғақ, жұмсақ қылшақпен жақсылап тазалаңыз.
- Аккумуляторға шаңның немесе кірдің қажетсіз тиюіне жол бермеңіз. Аккумуляторға қатты ылғалдың тиюіне ешқашан жол бермеңіз (мысалы, суға батыру немесе жаңбыр астына қою арқылы). Аккумулятор су болса, оны зақымдалған аккумулятор ретінде қарастырыңыз. Оны тұтанбайтын контейнерге оқшаулап, Hilti қызмет көрсету орталығына хабарласыңыз.
- Аккумуляторды бөгде май мен майлағыштан таза ұстаңыз. Аккумуляторда шаң не кірдің қажетсіз жиналуына жол бермеңіз. Аккумуляторды құрғақ, жұмсақ қылшақпен немесе таза, құрғақ шүберекпен тазалаңыз. Ешқандай силикон қамтитын күтім құралдарын пайдаланбаңыз, себебі олар пластик бөлшектерге зақым келтіруі мүмкін. Аккумулятордың контактілеріне тимеңіз және зауыттан тыс қолданылған майды контактілерден кетіріңіз.
- Корпусты сәл суланған шүберекпен ғана тазалаңыз. Ешқандай силикон қамтитын күтім құралдарын пайдаланбаңыз, себебі олар пластик бөлшектерге зақым келтіруі мүмкін.

### Техникалық қызмет көрсету

- Көзге көрінетін барлық бөлшектерде зақымдардың бар-жоғын және басқару элементтерінің ақаусыз жұмысын жиі тексеріп тұрыңыз.
- Өнім зақымдалған және/немесе ақаулы болған жағдайда, оны пайдаланушы болмаңыз. Өнімді міндетті түрде Hilti қызмет көрсету орталығында жөндетіңіз.
- Күтім және техникалық қызмет көрсету жұмыстарынан кейін барлық қорғауш құрылғыларды орнатып, олардың ақаусыз жұмыс істегенін тексеріңіз.



Қауіпсіз жұмысты қамтамасыз ету үшін тек түпнұсқа қосалқы бөлшектер мен шығын материалдарын қолданыңыз. Hilti мақұлдаған қосалқы бөлшектер, шығын материалдары мен өнімге арналған керек-жарақтар Hilti Store дүкенінде немесе келесі веб-сайтта қолжетімді: [www.hilti.group](http://www.hilti.group)

## 8 Тасымалдау және сақтау

### Аккумуляторлы құралдар мен аккумуляторларды тасымалдау

#### АБАЙЛАҢЫЗ

**Тасымалдау кезіндегі кенет іске қосылу !**

- ▶ Өнімніңізді әрдайым аккумуляторын шығарып алып тасымалдаңыз!
- ▶ Аккумулятор(лар)ды шығарыңыз.
- ▶ Аккумуляторларды ешқашан үймеде тасымалдамаңыз. Тасымалдау барысында аккумуляторларды шамадан артық соққы мен дірілден қорғау және олардың басқа батарея полюстерімен жанасуына және қысқа тұйықталудың туындауына жол бермеу үшін кез келген ток өткізгіш материалдардан немесе басқа аккумуляторлардан оқшаулау керек. **Аккумуляторларға арналған жергілікті тасымалдау ережелерін сақтаңыз.**
- ▶ Аккумуляторларды поштамен жіберуге болмайды. Зақымдалмаған аккумуляторларды жіберу қажет болғанда, жеткізуші кәсіпорындарға хабарласыңыз.



- ▶ Өнім мен аккумуляторларды әр пайдаланбас бұрын және ұзақ уақыт бойы тасымалдағаннан кейін зақымдардың бар-жоғын тексеріп шығыңыз.

### Аккумуляторлы құралдар мен аккумуляторларды сақтау

#### ЕСКЕРТУ

#### Бүлінген немесе заряды таусылған аккумуляторлардан күтілмеген зақымдалу!

- ▶ Өніміңізді әрдайым аккумуляторын шығарып алып сақтаңыз!
- ▶ Өнім мен аккумуляторларды салқын және құрғақ жерде сақтаңыз. Техникалық деректер 142 бөлімінде көрсетілген температураның шектік мәндерін ескеріңіз.
- ▶ Аккумуляторларды зарядтағыш құрылғыда сақтамаңыз. Аккумуляторды зарядтағаннан кейін әрдайым зарядтағыш құрылғыдан шығарыңыз.
- ▶ Аккумуляторларды еш жағдайда күн мен жылу көздерінің астында немесе шыны әйнек артында сақтамаңыз.
- ▶ Өнім мен аккумуляторларды балалар мен рұқсаты жоқ адамдардың қолы жетпейтін жерде сақтаңыз.
- ▶ Өнім мен аккумуляторларды әр пайдаланбас бұрын және ұзақ уақыт бойы сақтағаннан кейін зақымдардың бар-жоғын тексеріп шығыңыз.

## 9 Ақаулықтардағы көмек

Кез келген ақаулықтар орын алған жағдайда, аккумулятордың заряд деңгейі мен ақаулық индикаторына назар аударыңыз. **Li-Ion аккумуляторларының индикаторлары** бөлімін қараңыз.

Бұл кестеде келтірілмеген немесе өзіңіз түзете алмайтын ақаулықтар орын алғанда, **Hilti** қызмет көрсету орталығына хабарласыңыз.

Ақаулық	Ықтимал себеп	Шешім
Аккумулятор заряды әдеттегіден тезірек бітеді.	Аккумулятор зарядының деңгейі оңтайлы емес.	▶ Аккумулятордың зарядының деңгейі туралы ақпаратты шақырыңыз.  141
Аккумулятор шерту дыбысымен тіреліп бекітілмейді.	Аккумулятордағы құлып шоқысы кірленген.	▶ Тіреуіш шығыңқы жерін тазалаңыз және аккумуляторды қайтадан салыңыз.
Жарық диодтары өшірулі.	Аккумулятор толығымен салынбаған.	▶ Аккумуляторды шырт өткен дыбыс естілгенше бекітіңіз.
	Аккумулятор бүлінген.	▶ <b>Hilti</b> қызмет көрсету орталығына жолығыңыз.
Ара төсемі құрал бекіткішінен шығарылмайды.	Құлыптау иінірегін толық баспаңыз.	▶ Құлыптау иінірегін тіркелгенше бұрап, ара дискісін шығарып алыңыз.
	Құрал бекіткіші аралау қалдығымен қосылды.	▶ Аралау қалдығын шығарып, құрал бекіткішінің сыртғы жүйелі түрде тазалап тұрыңыз. Өнімге күтім көрсету.  145
Өнім толық қуатпен жұмыс істемей тұр.	Негізгі сөндіргіш толық басылмаған.	▶ Сөндіргішті толық басыңыз.
	Аккумулятор зарядын босатыңыз.	▶ Аккумуляторды алмастырып, бос аккумуляторды зарядтаңыз.
Ара төсемі құрал бекіткішінен шығарылмайды.	Бекітетін құрсау тірелгенше бұралмаған.	▶ Бекітетін құрсауды тірелгенше айналдырып, ара төсемін шығарыңыз.



## 10 Көдеге жарату

### ⚠ ЕСКЕРТУ

**Қате жолмен көдеге жаратудан жарақат алу қаупі бар!** Газдардың немесе сұйықтықтардың шығуынан денсаулыққа зиян келтіру қаупі бар.

- ▶ Зақымдалған аккумуляторларды жіберуге немесе жөнелтуге болмайды!
- ▶ Қысқа тұйықталуға жол бермеу үшін, қосылымдарды ток өткізбейтін материалмен жауып қойыңыз.
- ▶ Аккумуляторларды балалардың қолына жетпейтіндей етіп көдеге жаратыңыз.
- ▶ Аккумуляторды **Hilti Store** дүкенінде көдеге жаратыңыз немесе жергілікті көдеге жарату кәсіпорнына хабарласыңыз.

♻ **Hilti** өнімдері қайта өңдеу үшін жарамды көптеген материалдардың санынан тұрады. Көдеге жарату алдында материалдарды мұқият сұрыптау керек. Көптеген елдерде **Hilti** компаниясы ескі аспаптарды көдеге жарату үшін қабылдайды. **Hilti** қызмет көрсету орталығынан немесе дилерден сұраңыз.



- ▶ Электр құралдарды, электрондық құрылғылар мен аккумуляторларды тұрмыстық қоқыспен бірге тастамаңыз!

## 11 Өндіруші кепілдігі

- ▶ Кепілдік шарттары туралы сұрақтарыңыз болса, жергілікті **Hilti** серіктесіне жолығыңыз.

## 12 Қосымша ақпарат



Басқару, техника, қоршаған орта және қайта өңдеу туралы қосымша ақпаратты мына сілтеме бойынша қараңыз: [qr.hilti.com/manual/?id=2243480&id=2243482](http://qr.hilti.com/manual/?id=2243480&id=2243482)

Бұл сілтеме құжаттамаңыз соңында QR коды ретінде қолжетімді.


## Оригинал kullanım kılavuzu

### 1 Kullanım kılavuzu bilgileri

#### 1.1 Bu kullanım kılavuzu hakkında

- **İkaz!** Ürünü kullanmadan önce, talimatlar, güvenlik ve uyarı bilgileri, çizimler ve teknik özellikler dahil olmak üzere ürünle birlikte verilen kullanım kılavuzunu okuduğunuzdan ve anladığınızdan emin olunuz. Özellikle tüm talimatları, güvenlik ve uyarı bilgilerini, çizimleri, teknik özellikleri ve bileşenleri ve fonksiyonları öğreniniz. Aksi takdirde elektrik çarpması, yangın ve/veya ciddi yaralanma tehlikesi meydana gelebilir. Tüm talimatlar, güvenlik ve uyarı bilgileri dahil olmak üzere kullanım kılavuzunu daha sonra kullanmak üzere saklayınız.
- **HILTI** ürünleri profesyonel kullanıcıların kullanımı için öngörülmüştür ve sadece yetkili personel tarafından kullanılabilir ve bakımı yapılabilir. Bu personel, meydana gelebilecek tehlikeler hakkında özel olarak eğitim görmüş olmalıdır. Aletin ve ilgili yardımcı gereçlerin eğitimsiz personel tarafından usulüne uygun olmayan şekilde kullanılması ve amaçları dışında çalıştırılması sonucu tehlikeli durumlar söz konusu olabilir.



- Ekteki kullanım kılavuzu, basım tarihindeki mevcut gelişmiş teknolojiye uygundur. En son sürümü her zaman Hilti ürün sayfasında bulabilirsiniz. Bunu yapmak için, bu kullanım kılavuzundaki  sembolü ile işaretlenmiş bağlantıyı veya QR kodunu kullanınız.
- Ürünü başkalarına sadece bu kullanım kılavuzuyla birlikte veriniz.

## 1.2 Resim açıklaması

### 1.2.1 Uyarı bilgileri

Uyarı bilgileri, ürün ile çalışırken ortaya çıkabilecek tehlikelere karşı uyarır. Aşağıdaki uyarı metinleri kullanılır:



#### TEHLİKE

#### TEHLİKE !

- ▶ Ağır vücut yaralanmalarına veya doğrudan ölüme sebep olabilecek tehlikeler için.



#### İKAZ

#### İKAZ !

- ▶ Ağır yaralanmalara veya ölüme neden olabilecek tehlikeler için.



#### DİKKAT

#### DİKKAT !

- ▶ Vücut yaralanmalarına veya maddi hasarlara yol açabilecek olası tehlikeli durumlar için.

### 1.2.2 Kullanım kılavuzundaki semboller

Bu kullanım kılavuzunda aşağıdaki semboller kullanılmıştır:

	Kullanım kılavuzuna dikkat edilmelidir
	Kullanım uyarıları ve diğer gerekli bilgiler
	Geri dönüşümlü malzemeler ile çalışma
	Elektrikli aletleri ve aküleri evdeki çöplere atmayınız
	<b>Hilti</b> Lityum İyon akü
	<b>Hilti</b> Şarj cihazı

### 1.2.3 Resimlerdeki semboller

Resimlerde aşağıdaki semboller kullanılmıştır:

	Bu sayılar, kullanım kılavuzunun başlangıcındaki ilgili çizime atanmıştır.
	Numaralandırma, resimdeki çalışma adımlarının sırasını göstermektedir ve metindeki çalışma adımlarından farklı olabilir.
	Pozisyon numaraları <b>Genel bakış</b> resminde kullanılır ve <b>Ürüne genel bakış</b> bölümündeki açıklama numaralarına referans niteliğindedir.
	Bu işaret, ürün ile çalışırken dikkatinizi çekmek için koyulmuştur.

## 1.3 Ürüne bağlı semboller

### 1.3.1 Üründeki semboller

Üründe aşağıdaki semboller kullanılabilir:

RPM	Dakika başına strok sayısı
$n_0$	Yüksüz strok sayısı





	Doğru akım
	Ürün, iOS ve Android platformları ile uyumlu NFC teknolojisini destekler.
Li-Ion	Lityum İyon akü
	Aküyü asla darbe aleti olarak kullanmayınız.
	Aküyü düşürmeyiniz. Darbe almış veya hasar görmüş bir aküyü kullanmayınız.

## 2 Güvenlik

### 2.1 Elektrikli el aletleri için genel güvenlik uyarıları

**⚠ İKAZ** Bu elektrikli el aletine yönelik tüm güvenlik uyarılarını, talimatları, resimli açıklamaları ve teknik verileri dikkatlice okuyunuz. Aşağıdaki talimatlara uyulmaması durumunda elektrik çarpması, yangın ve/veya ağır yaralanmalar söz konusu olabilir.

**Tüm güvenlik uyarılarını ve kullanım talimatlarını muhafaza ediniz.**

Güvenlik uyarılarında kullanılan "Elektrikli el aleti terimi, şebeke işletimli elektrikli el aletleri (şebeke kablosu ile) veya akü işletimli elektrikli el aletleri (şebeke kablosu olmadan) ile ilgilidir.

#### İş yeri güvenliği

- ▶ **Çalışma alanınızı temiz ve aydınlık tutunuz.** Düzensiz veya aydınlatma olmayan çalışma alanları kazalara yol açabilir.
- ▶ **Yanıcı sıvıların, gazların veya tozların bulunduğu patlama tehlikesi olan yerlerde elektrikli el aleti ile çalışmayınız.** Elektrikli el aletleri, toz veya buharı yakabilecek kıvılcım oluşturur.
- ▶ **Elektrikli el aletini kullanırken çocukları ve diğer kişileri uzak tutunuz.** Dikkatiniz dağılırsa aletin kontrolünü kaybedebilirsiniz.

#### Elektrik güvenliği

- ▶ **Elektrikli el aletin bağlantı fişi prize uygun olmalıdır. Fiş hiçbir şekilde değiştirilmemelidir. Adaptör fişini topraklama korumalı elektrikli el aletleri ile birlikte kullanmayınız.** Değiştirilmemiş fişler ve uygun prizler elektrik çarpması riskini azaltır.
- ▶ **Borular, radyatörler, fırınlar ve buzdolapları gibi toprağa temas eden üst yüzeylere vücudunuzla temas etmekten kaçınınız.** Vücudunuzun toprakla teması var ise yüksek bir elektrik çarpması riski söz konusudur.
- ▶ **Elektrikli el aletini yağmurdan veya ıslaklıktan uzak tutunuz.** Elektrikli el aletine su girmesi, elektrik çarpması riskini artırır.
- ▶ **Elektrikli el aletini taşımak, asmak veya fişi prizden çekmek için bağlantı kablosunu kullanım amacı dışında kullanmayınız. Bağlantı kablosunu sıcaktan, yağdan, keskin kenarlardan ve hareketli parçalardan uzak tutunuz.** Hasarlı veya dolanmış bağlantı kabloları elektrik çarpması riskini artırır.
- ▶ **Elektrikli bir el aleti ile açık alanda çalışacaksanız, sadece dışarıda kullanımına izin verilen uzatma kabloları kullanınız.** Dış mekanlar için uygun olan uzatma kablolarının kullanılması elektrik çarpması riskini azaltır.
- ▶ **Elektrikli el aleti işletiminin nemli ortamda yapılması kaçınılmaz ise bir kaçak akım koruma şalteri kullanınız.** Bir kaçak akım koruma şalterinin kullanımı elektrik çarpması riskini azaltır.

#### Kişilerin güvenliği

- ▶ **Dikkatli olunuz, ne yaptığınıza dikkat ediniz ve elektrikli el aleti ile mantıklı bir şekilde çalışınız.** Yorgunsanız veya uyuşturucu, alkol veya ilaç etkisi altında olduğunuzda elektrikli el aleti kullanmayınız. Elektrikli el aletini kullanırken bir alet dikkatsizlik ciddi yaralanmalara neden olabilir.
- ▶ **Kişisel koruyucu donanım ve her zaman bir koruyucu gözlük takınız.** Elektrikli el aletinin türüne ve kullanımına göre toz maskesi, kaymayan güvenlik ayakkabısı, koruyucu kask veya kulaklık gibi kişisel koruyucu donanımların kullanılması yaralanma riskini azaltır.
- ▶ **İstem dışı çalışmayı önleyiniz. Güç kaynağına ve/veya aküyü bağlamadan, girişini yapmadan veya taşımadan önce elektrikli el aletinin kapalı olduğundan emin olunuz.** Elektrikli el aletini taşırken parmağınız şalterde ise veya alet açık konumda güç kaynağına takılırsa bu durum kazalara yol açabilir.
- ▶ **Elektrikli el aletini devreye almadan önce ayar aletlerini veya vidalama anahtarlarını çıkartınız.** Dönen bir alet parçasında bulunan bir alet veya anahtar yaralanmalara yol açabilir.



- ▶ **Aşın bir vücut hareketinden sakınınız. Güvenli bir duruş sağlayınız ve her zaman dengeli tutunuz.** Böylece beklenmedik durumlarda elektrikli el aletini daha iyi kontrol edebilirsiniz.
- ▶ **Uygun kıyafetler giyiniz. Bol kıyafetler giymeyiniz veya takı takmayınız. Saçları, kıyafetleri ve eldivenleri hareket eden parçalardan uzak tutunuz.** Bol kıyafetler, takı veya uzun saçlar hareket eden parçalara takılabilir.
- ▶ **Toz emme ve tutma tertibatları monte edilebiliyorsa bunların bağlı olduğundan ve doğru kullanıldığından emin olunuz.** Bu toz emme tertibatının kullanımı tozdan kaynaklanabilecek tehlikeleri azaltabilir.
- ▶ **Kendi güvenliğinizi riske atmayınız ve elektrikli el aletleri kullanımında son derece tecrübeli olsanız bile ilgili güvenlik kurallarını ihlal etmeyiniz.** Dikkatsiz kullanım saniyeler içerisinde ciddi yaralanmalara neden olabilir.

#### **Elektrikli el aletinin kullanımı ve çalıştırılması**

- ▶ **Aleti çok fazla zorlamayın. Çalışmanız için uygun olan elektrikli el aletini kullanın.** Uygun elektrikli el aleti ile bildirilen hizmet alanında daha iyi ve güvenli çalışsınız.
- ▶ **Şalteri bozuk olan elektrikli el aletini kullanmayınız.** Açılıp kapatılmayan bir elektrikli el aleti tehlikelidir ve tamir edilmesi gerekir.
- ▶ **Alet ayarlarını yapmadan, aksesuar parçalarını değiştirmeden veya aleti bir yere koymadan önce fişi prizden ve/veya (çıkarılabilir) aküyü aletten çıkarınız.** Bu önlem, elektrikli el aletinin istem dışı çalışmasını engeller.
- ▶ **Kullanılmayan elektrikli el aletlerini çocukların erişemeyeceği yerde muhafaza edin. Aleti iyi tanımayan veya bu talimatları okumaz kişiler aleti kullanılmayınız.** Elektrikli el aletleri bilgisiz kişiler tarafından kullanılırsa tehlikelidir.
- ▶ **Elektrikli el aletlerinin ve aksesuarlarının bakımını titizlikle yapınız. Hareketli parçaların kusursuz çalıştığı ve sıkışmadığı, parçaların kırılıp kırılmadığı veya hasar görüp görmediği, elektrikli el aleti fonksiyonlarının kısıtlanma durumlarını kontrol ediniz. Hasarlı parçaları aleti kullanmadan önce tamir ettiriniz.** Birçok kazanın nedeni bakım kötü yapılan elektrikli el aletleridir.
- ▶ **Kesme aletlerini keskin ve temiz tutun.** Özenle bakımı yapılmış keskin bıçak kenarı olan kesme aletleri daha az sıkışır ve kullanımı daha rahattır.
- ▶ **Elektrikli el aletini, aksesuarları, ek aletleri vb. bu talimatlara göre kullanın. Çalışma şartlarını ve yapılacak işi de ayrıca göz önünde bulundurun.** Elektrikli el aletlerinin öngörülen kullanımı dışında kullanılması tehlikeli durumlara yol açabilir.
- ▶ **Tutamağı ve tutamak yüzeylerini daima temiz ve yağ ve gresten arındırılmış durumda tutunuz.** Kaygan tutamaklar ve tutamak yüzeyleri güvenli bir kullanımı ve öngörülmemeyen durumlarda elektrikli el aletinin kontrolünü engeller.

#### **Akülü el aletinin kullanımı ve çalıştırılması**

- ▶ **Aküleri sadece üretici tarafından tavsiye edilen şarj cihazları ile şarj ediniz.** Belirli bir akü için uygun olan bir şarj cihazı, başka akülerle kullanılırsa yanma tehlikesi vardır.
- ▶ **Elektrikli el aletlerinde sadece bunun için öngörülen aküler kullanılmalıdır.** Başka akülerin kullanılması yaralanmalara ve yanma tehlikelerine yol açabilir.
- ▶ **Kullanılmayan aküleri, kontakların köprülenmesine sebep olabilecek ataçlar, madeni paralar, anahtarlar, çiviler, vidalar veya diğer küçük metal cisimlerden uzak tutunuz.** Akü kontakları arasındaki kısa devre yanmalara veya alev oluşumuna sebep olabilir.
- ▶ **Yanlış kullanımda aküden sıvı çıkabilir. Bunlar ile teması önleyiniz. Yanlışlıkla temasta su ile durulayınız. Sıvı gözlere temas ederse ayrıca doktor yardımını isteyiniz.** Dışarı akan akü sıvısı cilt tahrişine ve yanmalara yol açabilir.
- ▶ **Hasarlı veya değiştirilmiş aküleri kullanmayınız.** Hasarlı veya değiştirilmiş aküler öngörülmemeyen şekilde yangın, patlama veya yaralanma tehlikesi içeren tutumlara neden olabilir.
- ▶ **Aküleri açık ateş yakınına koymayınız veya yüksek sıcaklıklara maruz bırakmayınız.** Açık ateş veya 130°C'nin (265°F) üzerinde sıcaklıklar patlama tehlikesine neden olabilir.
- ▶ **Tüm şarj talimatlarına uyunuz ve aküyü veya akülü aleti kullanım kılavuzunda öngörülen sıcaklık aralığının dışında şarj etmeyiniz.** Hatalı şarj veya öngörülen sıcaklık aralığının dışındaki şarj işlemleri akünün zarar görmesine ve yangın tehlikesine neden olabilir.

#### **Servis**

- ▶ **Elektrikli el aletinizi sadece kalifiye uzman personele ve sadece orijinal yedek parçalar ile tamir ettiriniz.** Böylece aletin güvenliğinin korunduğundan emin olunur.
- ▶ **Hasarlı akülere bakım yapmayınız.** Akülere yönelik tüm bakım çalışmaları sadece üretici veya yetkili müşteri hizmetleri tarafından yapılmalıdır.



## 2.2 İleri-geri hareket eden testere bıçağı ile testereleme için güvenlik uyarıları

- ▶ **Ek aletin gizli elektrik kablolarına temas edebileceği yerlerde çalışıyorsanız elektrikli el aletini izole edilmiş tutamak yüzeyinden tutunuz.** Elektrik ileten bir hat ile temasta metal parçalar da gerilim altında kalır ve elektrik çarpmasına neden olabilir.
- ▶ **Keseceğiniz parçayı kısırarak veya başka bir şekilde sabit bir zemine sabitleyip, emniyete alınız.** Keseceğiniz parçayı sadece elinizle veya vücudunuza dayayarak tutmanız halinde, parça sağlam durmaz ve kontrol kaybına yol açabilir.

## 2.3 Ek güvenlik uyarıları

- ▶ Ürünü ve aksesuarı sadece teknik açıdan sorunsuz durumdayken kullanınız.
- ▶ Ürün veya aksesuar üzerinde asla manipülasyon veya değişiklik yapılmamalıdır.
- ▶ Taşlama, zımparalama, kesme ve delme işlemleri sonucunda oluşan tozlar tehlikeli kimyasallar içerebilir. Bazı örnekler şunlardır: Kurşun temelli kurşun veya boya; Tuğla, beton ve diğer duvar ürünleri, doğal taş ve diğer silikat içeren ürünler; Meşe, kayın gibi belirli ahşaplar ve kimyasal işlem görmüş ahşap; Asbest veya asbest içerikli malzemeler. Çalışılan malzemenin tehlike sınıfına göre kullanıcının ve çevredeki kişilerin maruziyetini belirleyiniz. Maruziyeti güvenli bir seviyede tutmak için bir toz toplama sisteminin kullanımı veya uygun bir solunum koruma maskesinin kullanımı gibi gerekli önlemleri alınız. Maruziyeti azaltmaya yönelik genel önlemler aşağıdakilerdir:
  - ▶ İyi havalandırılan bir alanda çalışma,
  - ▶ Toz ile uzun süreli temastan kaçınma,
  - ▶ Yüz ve vücuttaki tozları giderme,
  - ▶ Koruyucu kıyafet kullanma ve maruz kalan alanları su ve sabunla yıkama.
- ▶ Aletlerin ve/veya aksesuarların düşmesi nedeniyle yaralanma tehlikesi. Çalışmaya başlamadan önce monte edilmiş olan aksesuarları emniyetli bir şekilde sabitenip sabitlenmediğini kontrol ediniz.
- ▶ Havalandırma deliklerini her zaman açık bırakınız. Üzeri kapatılan havalandırma delikleri nedeniyle yanma tehlikesi!
- ▶ Parmaklarınızdaki kan dolaşımının daha iyi olması için sık sık molalar veriniz ve parmak egzersizleri yapınız. Uzun süren çalışmalarda yüksek titreşim, parmaklar, eller veya bileklerdeki sinir sisteminde veya kan damarlarında rahatsızlıklara neden olabilir.
- ▶ Bu ürüne herhangi bir kemer kancası sabitlemeyiniz.
- ▶ Ürünün ışığına (LED) doğrudan bakmayınız ve ışığı doğrudan başkalarının yüzüne doğru tutmayınız. "Kör olma tehlikesi" vardır.
- ▶ Ürünün kullanımı esnasında kullanıcı ve çevresinde bulunan kişilerin, bir koruyucu gözlük, koruyucu kask, kulaklık, koruyucu eldiven ve hafif bir solunum koruma maskesi kullanmaları gerekir.
- ▶ Etrafa sıçrayan malzeme vücudu ve gözleri yaralayabilir. Kişisel koruyucu donanım ve daima koruyucu gözlük ve koruyucu eldiven takınız.
- ▶ Alet değişimi sırasında koruyucu eldiven takılmalıdır. Ek alete takılan uçlara dokunmak kesik ve yanık türünde yaralanmalara yol açabilir.
- ▶ Ellerinizi kesme alanı ve testere bıçağı bölümüne getirmeyiniz. Alt desteğin gerekli olduğu durumlarda ürünü motor gövdesinden iki elle tutunuz. Testereyi her iki elinizle tutarsanız, testere ile kesme sırasında elleriniz yaralanmaz.
- ▶ Yere koymadan önce ürünü tamamen durmasını bekleyiniz.
- ▶ Kör veya hasarlı testere bıçaklarını kullanmayınız. Bu, testere bıçağının fazla aşınmasına, sıkışmasına veya geri tepmesine neden olabilir.
- ▶ İş parçasını sağlam bir yuvada emniyete alınız. Kesilecek olan iş parçasını asla elinizde veya bacağınızın üstünde tutmayınız.
- ▶ Ürünü çalışma pozisyonunda çalıştırmaya başlayınız.
- ▶ Çalışırken aleti daima vücudunuzdan öteye doğru sürünüz.
- ▶ İşlenen parçanın altına elinizi sokmayınız.
- ▶ Özellikle büyük çaplı borularda uygun kesme hızında, orta seviyede baskı uygulayarak çalışınız. Bu ürünün aşırı ısınmasını engeller.
- ▶ Her zaman uygun uzunlukta bir testere bıçağı kullanınız. Testere bıçağı komple strok esnasında iş parçasının üzerine çıkmalıdır.
- ▶ Bilmediğiniz zeminleri kesinlikle kesmeyiniz ve kesme yolunun üstünü ve altını boş tutunuz.
  - ▶ Testere bıçağı bir nesneye rastladığında, üründe bir geri tepmeye neden olur.
- ▶ Kollarınızı, geri tepmelere karşı koyabileceğiniz bir konuma getiriniz.
- ▶ Alet, baskı pabucu ile işlem yapılacak iş parçasına doğru bastırılmalıdır. Bu işlem en uygun ve güvenli çalışmayı sağlar.



- ▶ Testere bıçağının yanında durunuz, testere bıçağını asla vücudunuz ile temas edecek yöne getirmeyiniz. Bir geri tepme durumunda testere geriye doğru fırlayabilir!
- ▶ Testere bıçağı sıkıysa veya çalışmaya ara vermeniz gerekirse, testereyi kapatınız ve testere bıçağı hareketetsiz duruma gelene kadar testereyi sabit tutunuz. Testere bıçağı hareket ettiği veya geri teptiği sürece testereyi hiçbir zaman iş parçasından çıkarmayı denemeyiniz veya geriye doğru çekmeyiniz.
- ▶ İşlenen parça içindeki testereyi tekrar çalıştırmak istiyorsanız, testere bıçağını testere boşluğunda merkezleyiniz ve testere bıçağı dişlerinin işlenen parçaya sıkışmamış olmasına dikkat ediniz.
- ▶ Kesme işlemi sırasında mevcut duvarlara veya diğer görülmeyen bölgelere karşı özellikle dikkat ediniz. Daldırılan testere bıçağı kesme sırasında gizli nesnelere bloke edebilir ve bir geri tepmeye neden olabilir.
- ▶ Ürünün taşınması veya saklanması esnasında taşıma emniyetini devreye alınız.
- ▶ Kullanım ve depolama konusunda testere bıçağı üreticisinin talimatlarına dikkat ediniz.
- ▶ Kıрма çalışmalarında, çalışılacak yerin karşı tarafında bulunan bölgeyi emniyete alınız.
- ▶ Çalışmaya başlamadan önce çalışma alanında üzeri örtülü elektrik kablosu, gaz ve su borusu bulunup bulunmadığını kontrol ediniz. Bir elektrik hattına, bir gaz veya su borusuna zarar verilmesi halinde, ürünün dışındaki metal parçalar elektrik çarpmasına veya patlamaya neden olabilir.
- ▶ Boru hatlarının kesilmesi sırasında, ürünü kesilecek hattan daha yüksekte tutunuz.
  - ▶ Ürün, nem girişine karşı bir korumaya sahip değildir. Taşan sıvı üründe kısa devreye neden olabilir.
- ▶ Boru hatlarının kesilmesi sırasında, hattın içinde sıvı bulunmadığından emin olunuz. Gerekliyse bunu boşaltınız.

## 2.4 Akülü aletlerin özenli çalıştırılması ve kullanımı

- ▶ **Lityum İyon akülerin kullanılması sırasında aşağıda belirtilen güvenlik uyarılarını dikkate alınız.** Bunlara dikkate alınmaması ciltte tahrişlere, ağır korozif yaralanmalara, kimyasal yanıklara, yangın ve / veya patlamalara neden olabilir.
- ▶ Aküyü sadece teknik olarak kusursuz durumdayken kullanınız.
- ▶ Hasarları önlemek için ve sağlığa ciddi zarar verici sıvıları engellemek için aküleri itinalı davranınız!
- ▶ Akülere asla müdahale edilmemeli ve üzerlerinde onarım yapılmamalıdır!
- ▶ Aküler parçalarına ayrılmalı, ezilmemeli, 80° C (176° F) üzerine ısıtılmamalı veya yakılmamalıdır.
- ▶ Darbeye maruz kalmış veya başka bir hasar görmüş aküleri kullanmayınız. Akülerinizi hasar belirtilerine karşı düzenli olarak kontrol ediniz.
- ▶ Geri dönüştürülmüş veya onarılmış aküleri asla kullanmayınız.
- ▶ Aküyü veya aküyle çalışan bir elektrikli el aletini asla bir şeyi çakmak veya bir şeye vurmamak için kullanmayınız.
- ▶ Aküleri asla doğrudan güneş ışığına, aşırı sıcaklık, kıvılcım veya açık ateşe maruz bırakmayınız. Bu durum patlamalara neden olabilir.
- ▶ Akünün kutbuna parmaklarınız, aletler, takılar veya diğer elektrikli olarak iletken nesnelere dokunmayınız. Bu durum aküye hasar verebilir, maddi hasarlara ve yaralanmalara neden olabilir.
- ▶ Aküleri yağmurdan, ıslaklıktan ve sıvılardan uzak tutunuz. Akülerin içine nemin girmesi, kısa devrelere, elektrik çarpmalarına, yanıklara, yangına veya patlamalara neden olabilir.
- ▶ Sadece akü tipi için öngörülmüş olan şarj cihazlarını ve elektrikli el aletlerini kullanınız. Bunun için ilgili kullanım kılavuzlarındaki verileri dikkate alınız.
- ▶ Aküyü patlama tehlikesi olan ortamlarda kullanmayınız veya depolamayınız.
- ▶ Akü tutulamayacak kadar sıcaksa arızalı olabilir. Pili, yanıcı malzemelere yeterli mesafede, görünür ve yanıcı olmayan bir yere yerleştiriniz. Aküyü soğumaya bırakınız. Akü bir saat sonra hala dokunulamayacak kadar sıcaksa, arızalı demektir. **Hilti** servisiyle irtibat kurunuz veya "**Hilti** Lityum İyon aküler için güvenlik ve kullanım uyarıları" dokümanını okuyunuz.



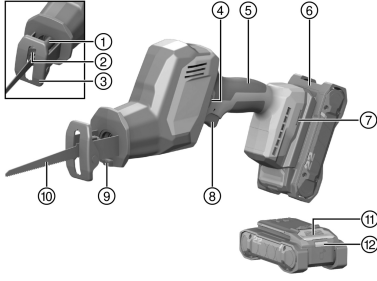
Lityum İyon aküleri taşıma, depolama ve kullanma için geçerli özel yönetmelikleri dikkate alınız.

Bu kullanım kılavuzunun sonundaki QR kodu tarayarak ulaşabileceğiniz, **Hilti** Lityum İyon aküler için güvenlik ve kullanım uyarılarını okuyunuz.



## 3 Tanımlama

### 3.1 Ürüne genel bakış



- ① testere bıçağı kilitleme kovanı
- ② testere bıçağı alet bağlantı yeri
- ③ Baskı pabucu
- ④ taşıma emniyeti
- ⑤ tutamak
- ⑥ Akü
- ⑦ Aksesuar için montaj aralığı
- ⑧ Kumanda şalteri
- ⑨ Çalışma alanı aydınlatması (LED)
- ⑩ Testere bıçağı
- ⑪ Akü kilit açma tuşu
- ⑫ Akü durum göstergesi

### 3.2 Usulüne uygun kullanım

Tanımlanan ürün akülü bir panter testeredir. Bu testere özellikle ahşabın, ahşap benzeri ve metalik malzemelerin, tuğlanın ve ayrıca plastiklerin kesilmesi için tasarlanmıştır.

Bu ürün, tek elle kullanım için tasarlanmıştır.

- Bu ürün için sadece B 22 tip serisi **Hilti** Nuron Lityum İyon aküleri kullanınız. Optimum güç için **Hilti** bu ürünle birlikte bu kullanım kılavuzunun sonundaki tabloda belirtilen akülerin kullanılmasını tavsiye eder.
- Bu aküler için sadece **Hilti** şarj cihazlarının bu kullanım kılavuzunun sonundaki tabloda belirtilen serilerini kullanınız.

### 3.3 Olası yanlış kullanım

- ▶ Beton, gaz beton, taş veya fayans kesmeyiniz.
- ▶ Ürünü, içinde hala sıvı bulunan hatları kesmek için kullanmayınız.
- ▶ Bilmediğiniz zeminleri kesmeyiniz.

### 3.4 Teslimat kapsamı

Panter Testere, Kullanım Kılavuzu.

Ürün için izin verilen diğer sistem ürünlerini **Hilti Store**'da veya şu adreste bulabilirsiniz: [www.hilti.group](http://www.hilti.group)

### 3.5 Lityum İyon akü göstergeleri

**Hilti** Nuron Lityum İyon aküler şarj durumunu, hata mesajlarını ve akünün durumunu gösterebilir.

#### 3.5.1 Şarj durumu ve hata mesajları göstergeleri

#### İKAZ

#### Düşen akü nedeniyle yaralanma tehlikesi!

- ▶ Akü takılıyken, kilit açma tuşuna bastıktan sonra, kullandığınız üründe akünün yerine oturduğundan emin olunuz.

Aşağıdaki göstergelerden birini görüntülemek için akünün kilit açma tuşuna kısa süreli basınız.

Bağlı olan ürün açık olduğu sürece, şarj durumu ve olası arızalar da sürekli görüntülenir.

Durum	Anlamı
Dört (4) LED sürekli yeşil yanıyor	Şarj durumu: % 100 ila % 71 arası
Üç (3) LED sürekli yeşil yanıyor	Şarj durumu: % 70 ila % 51 arası
İki (2) LED sürekli yeşil yanıyor	Şarj durumu: % 50 ila % 26 arası
Bir (1) LED sürekli yeşil yanıyor	Şarj durumu: % 25 ila % 10 arası
Bir (1) LED yavaşça yeşil renkte yanıp sönüyor	Şarj durumu: < % 10



Durum	Anlamı
Bir (1) LED hızlıca yeşil yanıp sönüyor	Lityum İyon akü tamamen deşarj olmuş. Aküyü şarj ediniz. Akünün şarj işleminden sonra LED hala hızlı yanıp sönüyorsa, lütfen <b>Hilti</b> servisiyle irtibat kurunuz.
Bir (1) LED hızlıca sarı yanıp sönüyor	Lityum İyon akü veya buna bağlı ürün aşırı yüklendi, çok sıcak, çok soğuk veya başka bir hata mevcut. Ürünü ve aküyü önerilen çalışma sıcaklığına getiriniz ve kullanırken ürünü aşırı yüke maruz bırakmayınız. Mesaj devam ediyorsa <b>Hilti</b> servisiyle irtibat kurunuz.
Bir (1) LED sarı yanıyor	Lityum İyon akü ve bağlantılı ürün uyumlu değildir. Lütfen <b>Hilti</b> servisine başvurunuz.
Bir (1) LED hızlıca kırmızı yanıp sönüyor	Lityum İyon akü bloke olmuş ve kullanılamaz. Lütfen <b>Hilti</b> servisine başvurunuz.

### 3.5.2 Akü durumunun göstergeleri

Akü durumunu sorgulamak için, kilit açma tuşuna üç saniyeden fazla basılı tutunuz. Sistem; düşme, delinme, harici ısı hasarları vb. gibi usulüne uygun olmayan kullanımı nedeniyle pilde potansiyel hatalı fonksiyon algılamıyor.

Durum	Anlamı
Tüm LED'ler çalışma ışığı olarak yanıyor ve ardından bir (1) LED sürekli yeşil yanıyor.	Akü kullanımına devam edilebilir.
Tüm LED'ler çalışma ışığı olarak yanıyor ve ardından bir (1) LED hızlıca sarı yanıp sönüyor.	Akünün durumuna ilişkin sorgu tamamlanamadı. İşlemi tekrarlayınız veya <b>Hilti</b> servisiyle irtibat kurunuz.
Tüm LED'ler çalışma ışığı olarak yanıyor ve ardından bir (1) LED sürekli kırmızı yanıyor.	Bağlı bir ürünün kullanımına devam edilebiliyorsa, kalan akü kapasitesi %50'nin altındadır. Bağlı bir ürünün kullanımına devam edilemiyorsa, akünün kullanım ömrü dolmuştur ve akü değiştirilmelidir. Lütfen <b>Hilti</b> servisine başvurunuz.

## 4 Teknik veriler

### 4.1 Panter testere

	SR 4-22
Ürün nesli	02
Nominal gerilim	21,6 V
EPTA Procedure 01 uyarınca aküsüz ağırlık	2 kg
Strok sayısı	0 dev/dak ... 3.000 dev/dak
Strok uzunluğu	23,2 mm
Standart aletler için anahtarsız alet bağlantı yeri	1/2 in
Depolama sıcaklığı	-20 °C ... 70 °C
İşletim sırasındaki ortam sıcaklığı	-17 °C ... 60 °C

### 4.2 Akü

Akü çalışma gerilimi	21,6 V
Akü ağırlığı	Bu kullanım kılavuzunun sonuna bakınız
İşletim sırasındaki ortam sıcaklığı	-17 °C ... 60 °C



Depolama sıcaklığı	-20 °C ... 40 °C
Şarj başlangıcında akü sıcaklığı	-10 °C ... 45 °C

### 4.3 Ses bilgisi ve titreşim değerleri

Bu talimatlarda belirtilen ses basıncı ve titreşim değerleri, ilgili normlara uygun bir ölçüm metodu ile ölçülmüştür ve elektrikli el aletlerinin birbirleri ile karşılaştırılması için kullanılabilir. Zorlanmaların geçici olarak değerlendirilmesine de uygundur.

Belirtilen değerler, elektrikli el aletinin ana kullanım alanlarını temsil eder. Elektrikli el aletinin, farklı ek aletlerle veya yetersiz bakım yapılmış şekilde kullanılması durumunda, veriler sapma gösterebilir. Bu durum, toplam çalışma süresi boyunca zorlanmayı belirgin şekilde yükseltebilir.

Doğru bir zorlanma değerlendirmesi için elektrikli el aletinin kapatıldığı veya çalışır konumda olduğu ve ayrıca kullanımda olmadığı zamanlar da dikkate alınmalıdır. Bu durum, toplam çalışma süresi boyunca zorlanmayı belirgin şekilde azaltabilir.

Kullanıcıyı ses ve/veya titreşimin etkilerinden koruyacak ek güvenlik önlemleri belirleyiniz, örneğin: Elektrikli el aletinin ve ek aletlerin bakımının yapılması, ellerin sıcak tutulması, iş akışlarının düzenlenmesi.



Burada uygulanan **EN 62841** standartlarının versiyonları hakkında ayrıntılı bilgi, uygunluk beyanının görüntüsünde 220 bulunabilir.

### Ses bilgileri

	SR 4-22
Ses gücü seviyesi ( $L_{WA}$ )	95 dB(A)
Ses gücü seviyesi için emniyetsizlik ( $K_{WA}$ )	5 dB(A)
Ses basıncı seviyesi ( $L_{pA}$ )	87 dB(A)
Ses basıncı seviyesi için emniyetsizlik ( $K_{pA}$ )	5 dB(A)

### Vibrasyon bilgileri

Sunta levhaların testerelemesi sonucu oluşan titreşim emisyon değeri ( $a_{h,B}$ )	B 22-55	12,8 m/sn <sup>2</sup>
	B 22-85	11,1 m/sn <sup>2</sup>
Ahşap kirişlerinin testerelemesi sonucu oluşan titreşim emisyon değeri ( $a_{h,WB}$ )	B 22-55	11,5 m/sn <sup>2</sup>
	B 22-85	12,2 m/sn <sup>2</sup>
Emniyetsizlik (K)		1,5 m/sn <sup>2</sup>

## 5 Kullanım

### 5.1 Akünün şarj edilmesi

1. Şarj etmeden önce şarj cihazının kullanım kılavuzunu okuyunuz.
2. Akü ve şarj cihazının kontaklarının temiz ve kuru olmasına dikkat ediniz.
3. Aküyü izin verilen şarj cihazında şarj ediniz. 153

### 5.2 Akünün yerleştirilmesi



#### İKAZ

**Yaralanma tehlikesi kısa devre veya akünün düşmesi nedeniyle!**

- Aküyü yerleştirmeden önce, akü kontaklarında ve ürün içindeki kontaklarda yabancı cisim bulunmadığından emin olunuz.
- Akünün her zaman tam oturduğundan emin olunuz.

1. İlk kullanım öncesinde akü tamamen şarj edilmelidir.
2. Aküyü ürüne, duyulur şekilde yerine oturana kadar itiniz.
3. Akünün alette emniyetli bir şekilde yerleşip yerleşmediğini kontrol ediniz.

### 5.3 Akünün çıkartılması

1. Akünün serbest bırakma düğmelerine basınız.
2. Aküyü üründen çıkartınız.



#### 5.4 Devrilme emniyeti

##### İKAZ

**Düşen alet ve/veya aksesuar nedeniyle** yaralanma tehlikesi!

- ▶ Sadece ürününüz için tavsiye edilen **Hilti** alet bağlama ipini kullanınız.
- ▶ Her kullanımdan önce alet bağlama ipinin sabitleme noktasını olası hasarlar bakımından kontrol ediniz.



Yüksekteki çalışmalar için ulusal yönetmelikleri dikkate alınız.

Bu ürün için devrilme emniyeti olarak sadece **Hilti** düşme koruması #2293133 ile **Hilti** alet kordonunun #2261970 bir kombinasyonunu kullanınız.

- ▶ Düşme emniyetini aksesuarların montaj aralıklarına sabitleyiniz. Güvenli tutuşu kontrol ediniz.
- ▶ Alet kordonunun bir karabinini düşme emniyetine ve ikinci karabinini de taşıyıcı yapıya sabitleyiniz. Her iki karabinin de emniyetli bir şekilde sabitlenmiş olup olmadığını kontrol ediniz.



**Hilti** düşme emniyetinin yanı sıra **Hilti** alet kordonunun kullanım kılavuzlarını da dikkate alınız.

#### 5.5 Testere bıçağının yerleştirilmesi 2



Yalnızca 1/2" -uç girişli testere bıçaklarını kullanınız.

1. Aletin giriş ucunun temiz olup olmadığını ve hafif yağlanıp yağlanmadığını kontrol ediniz. Gerekirse giriş ucunu temizleyiniz ve yağlayınız.
2. Alet bağlantı yerinin kilitleme kovanını saat dönüş yönünün tersine doğru çeviriniz ve basılı tutunuz.
3. Testere bıçağını önden alet bağlantı yerine doğru bastırınız.
4. Kilitleme kovani duyulur şekilde yerine oturuncaya kadar geriye kaymasına izin veriniz.
5. Testere bıçağını çekerek yerine oturup oturmadığını kontrol ediniz.

#### 5.6 Testere bıçağının çıkarılması 3

##### DİKKAT

**Yaralanma tehlikesi!** Ek alet sıcak ve/veya keskin kenarlı olabilir.

- ▶ Ek aleti değiştirirken koruyucu eldiven takınız.
  - ▶ Sıcak ek aleti asla yanıcı zeminlere bırakmayınız.
1. Alet bağlantı yerinin kilitleme kovanını saat dönüş yönünün tersine doğru çeviriniz ve basılı tutunuz.
  2. Testere bıçağını alet bağlantı yerinden öne doğru çekiniz.
  3. Kilitleme kovanının geri kaymasına izin veriniz.

## 6 Kullanım

Bu dokümanda ve ürün üzerinde bulunan güvenlik ve uyarı bilgilerine dikkat ediniz.

#### 6.1 Testereleme

##### İKAZ

**Devam eden testereleme işlemi yaralanma tehlikesine neden olabilir !**

- ▶ Ürünü ancak tamamen durduktan sonra iş parçasından kaldırınız.
  - ▶ Yere koymadan önce ürünün tamamen durmasını bekleyiniz.
1. Nakliye emniyetini devre dışı bırakınız ve kumanda şalterine basınız.
  2. Kesme işlemini tamamladığınızda, kumanda şalterini bırakınız.
  3. Taşıma emniyetini devreye alınız.





## 7 Bakım ve onarım

### ⚠ İKAZ

#### Takılı aküden dolayı yaralanma tehlikesi !

- Tüm bakım ve onarım çalışmalarından önce her zaman aküyü çıkarınız!

#### Ürün bakımı

- Yapışmış olan kirleri dikkatle çıkartınız.
- Eğer mevcutsa, havalandırma deliklerini kuru ve yumuşak bir fırça ile dikkatlice temizleyiniz.
- Gövdeyi sadece hafif nemli bir temizlik bezi ile temizleyiniz. Plastik parçalara yapışabileceğinden silikon içerikli bakım maddeleri kullanmayınız.
- Alet bağlantı yerini düzenli olarak dıştan temizleyiniz ve yağlayınız. Bunun için lütfen **Hilti** spreyi 314648 kullanınız.
- Ürünün üzerindeki kontak noktalarını temizlemek için temiz ve kuru bir bez kullanınız.

#### Lityum İyon akülerin bakımı

- Havalandırma delikleri tıkanmış bir pili asla kullanmayınız. Havalandırma deliklerini kuru ve yumuşak bir fırça ile dikkatlice temizleyiniz.
- Akünün gereksiz yere toza veya kire maruz kalmamasını sağlayınız. Aküyü asla yüksek neme maruz bırakmayınız (örneğin suya daldırmayınız veya yağmurda bırakmayınız). Bir akünün ıslanması halinde, ona hasarlı bir akü gibi davranınız. Yanıcı olmayan bir kabın içinde izole ediniz ve **Hilti** servisine başvurunuz.
- Aküyü yabancı yağ ve gresten uzak tutunuz. Akünün üzerinde gereksiz yere toz veya kir birikmesine izin vermeyiniz. Aküyü kuru, yumuşak bir fırça veya temiz, kuru bir bezle temizleyiniz. Plastik parçalara yapışabileceğinden silikon içerikli bakım maddeleri kullanmayınız. Akünün kontak noktalarına dokunmayınız ve kontak noktalarına fabrikada uygulanmış olan gresi kesinlikle çıkartmayınız.
- Gövdeyi sadece hafif nemli bir temizlik bezi ile temizleyiniz. Plastik parçalara yapışabileceğinden silikon içerikli bakım maddeleri kullanmayınız.

#### Bakım

- Görünür tüm parçalarda hasar olup olmadığını ve kumanda elemanlarının sorunsuz şekilde çalışıp çalışmadığını düzenli olarak kontrol ediniz.
- Hasar ve/veya fonksiyon arızaları durumunda ürünü işletmeyiniz. Ürünü gecikmeden **Hilti** servisine tamir ettiriniz.
- Bakım ve onarım çalışmalarından sonra tüm koruma tertibatlarını yerleştiriniz ve bunların fonksiyonlarını sorunsuz olarak yerine getirmekte olup olmadıklarını kontrol ediniz.



Güvenli çalışma için sadece orijinal yedek parçalar ve tüketim malzemeleri kullanınız. **Hilti** tarafından onaylanmış, yedek parçaları, aksesuarları ve sarf malzemelerini **Hilti Store** veya şu adreste bulabilirsiniz: [www.hilti.group](http://www.hilti.group)

## 8 Taşınması ve depolanması

#### Akülü aletlerin ve akülerin taşınması

### ⚠ DİKKAT

#### Taşıma sırasında aletin istem dışı çalışması !

- Ürünlerinizi her zaman aküler takılı olmadan taşıyınız!
- Aküleri çıkartınız.
- Aküleri kesinlikle sıkıca bağlanmamış koruma ile nakletmeyiniz. Nakliye sırasında, aküler aşırı şok ve titreşimlerden korunmalı ve başka akü kutupları ile temas ederek kısa devreye neden olmaları için, her türlü iletken malzeme veya diğer akülerden izole edilmiş olmalıdır. **Aküler için yerel taşıma talimatlarını dikkate alınız.**
- Aküler posta ile gönderilmemelidir. Hasarsız aküleri sevk etmek istemeniz halinde, bir nakliye şirketine başvurunuz.
- Ürünün ve akülerin hasar görmüş olup olmadığını her kullanımdan önce olduğu gibi uzun taşımaldan önce ve sonra kontrol ediniz.



## Akülü aletlerin ve akülerin depolanması



**İKAZ**

### Arızalı veya akan aküler nedeniyle beklenmeyen hasar oluşumu !

- ▶ Ürünlerinizi her zaman aküleri yerleştirmeden depolayınız!
- ▶ Ürünü ve aküleri serin ve kuru bir yerde depolayınız. Teknik verilerde 154 belirtilen sıcaklık sınırlarını dikkate alınız.
- ▶ Aküleri şarj cihazının üzerinde muhafaza etmeyiniz. Şarj işleminden sonra her zaman aküyü şarj cihazından çıkartınız.
- ▶ Aküleri kesinlikle güneşte, ısı kaynakların üzerinde veya cam arkasında depolayınız.
- ▶ Ürünü ve aküleri çocukların ve yetkisiz kişilerin ulaşamayacağı yerlerde depolayınız.
- ▶ Ürünün ve akülerin hasar görmüş olup olmadığını her kullanımdan önce olduğu gibi uzun süreli depolamalardan önce ve sonra kontrol ediniz.

## 9 Arıza durumunda yardım

Tüm arızalarda akünün şarj durumu ve hata göstergesini dikkate alınız. Bkz. Bölüm **Lityum İyon akü göstergeleri**.

Bu tabloda listelenmemiş veya kendi başınıza gideremediğiniz arızalarda lütfen yetkili **Hilti** servisimiz ile irtibat kurunuz.

Anıza	Olası sebepler	Çözüm
Akü normalden daha hızlı boşalıyor.	Akünün durumu uygun değil.	▶ Akünün durumunu kontrol ediniz.  153
Akü duyulabilir bir "klik" sesi ile yerine oturmuyor.	Akünün kilit tırnakları kirlenmiş.	▶ Tırnakları temizleyiniz ve aküyü yeniden yerine oturtunuz.
LED'ler hiçbir şey göstermiyor.	Akü yerine tamamen takılmamış.	▶ Aküyü duyulabilir bir klik sesi ile yerine oturtunuz.
Testere bıçağı, alet bağlantı yerinden çıkarılmıyor.	Akü arızalı.	▶ <b>Hilti</b> servisi ile irtibat kurunuz.
	Kilitleme kolu dayanak noktasına kadar bastırılmamış.	▶ Kilitleme kolunu dayanak noktasına kadar döndürünüz ve testere bıçağını çıkarınız.
Alet bağlantı yeri testereleme kalıntıları ile tıkanmış.	Alet bağlantı yeri testereleme kalıntıları ile tıkanmış.	▶ Testereleme kalıntıları çıkarınız ve alet bağlantı yerini düzenli olarak dıştan temizleyiniz. Ürünün bakımı.  157
	Kumanda şalteri tam basılı değil.	▶ Kumanda şalterine iyice basınız.
Ürün tam güce sahip değil.	Akü deşarj olmuş.	▶ Aküyü değiştiriniz ve boş aküyü şarj ediniz.
	Kilitleme kovanı dayanak noktasına kadar döndürülmemiş.	▶ Kilitleme kovanını dayanak noktasına kadar döndürünüz ve testere bıçağını çıkarınız.

## 10 İmha



**İKAZ**

**Usulüne uygun olmayan imha nedeniyle yaralanma tehlikesi!** Dışarı çıkan gaz ve sıvılar nedeniyle sağlık sorunları.

- ▶ Hasar görmüş aküleri hiç bir şekilde göndermeyiniz!
- ▶ Kısa devreleri önlemek için, akünün bağlantılarını iletken olmayan bir malzeme ile kapatınız.
- ▶ Aküleri, çocukların ellerine geçmeyecek şekilde imha ediniz.
- ▶ Aküyü size en yakın **Hilti Store**'da imha ediniz veya imha etmek için yetkili şirketinize başvurunuz.

**Hilti** ürünleri yüksek oranda tekrar kullanılabilen malzemelerden üretilmiştir. Geri dönüşüm için gerekli koşul, usulüne uygun malzeme ayrımıdır. Çoğu ülkede **Hilti** eski aletlerini yeniden değerlendirmek üzere geri alır. Bu konuda **Hilti** müşteri hizmetlerinden veya satış temsilcinizden bilgi alabilirsiniz.





- ▶ Elektrikli el aletlerini, elektronik cihazları ve aküleri evdeki çöplere atmayınız!

## 11 Üretici garantisi

- ▶ Garanti koşullarına ilişkin sorularınız için lütfen yerel **Hilti** iş ortağınıza başvurunuz.

## 12 Diğer bilgiler




Kullanım, teknoloji, çevre ve geri dönüşüm hakkında daha fazla bilgi aşağıdaki bağlantıda bulunabilir:  
[qr.hilti.com/manual/?id=2243480&id=2243482](https://qr.hilti.com/manual/?id=2243480&id=2243482)

Bu bağlantıya dokümanın sonunda bulunan QR kodu taratarak da ulaşabilirsiniz.



## 1 بيانات بخصوص دليل الاستعمال

## 1.1 خاص بدليل الاستعمال هذا

- **تحذير!** قبل أن تستخدم المنتج، تأكد أنك قد قرأت واستوعبت دليل الاستعمال المرفق مع المنتج، بما في ذلك الإرشادات وتعليمات السلامة والتحذير والصور والمواصفات. تعرف بصفة خاصة على جميع الإرشادات وتعليمات السلامة والتحذير والصور والمواصفات وكذلك المكونات والوظائف. في حالة عدم مراعاة ذلك، يكون هناك خطر حدوث صعق كهربائي أو نشوب حريق و/أو وقوع إصابات بالغة. احتفظ بدليل الاستعمال شاملاً جميع الإرشادات وتعليمات السلامة والتحذير للاستخدام اللاحق.
- منتجات **HILTI** مصممة للمستخدمين المحترفين ويقتصر استعمالها وصيانتها وإصلاحها على الأشخاص المعتمدين والمدربين جيداً. هؤلاء الأشخاص يجب أن يكونوا قد تلقوا تدريباً خاصاً على الأخطار الطارئة. قد يتسبب الجهاز وأدواته المساعدة في حدوث أخطار إذا تم التعامل معها بشكل غير سليم فنياً من قبل أشخاص غير مدربين أو تم استخدامها بشكل غير مطابق للتعليمات.
- دليل الاستعمال المرفق يتطابق مع الوضع الحالي للتقنية وقت الطباعة. يمكنك دائماً العثور على الإصدار أونلاين على صفحة المنتج Hilti. ولهذا الغرض، اتبع الرابط أو كود QR في دليل الاستعمال هذا والمميز بالرمز .
- لا يجوز تسليم المنتج إلى أي شخص إلا مع دليل الاستعمال هذا.

## 2.1 شرح العلامات

## 1.2.1 إرشادات تحذيرية

تنبه الإرشادات التحذيرية إلى الأخطار الناشئة عند التعامل مع الجهاز. يتم استخدام الكلمات الدليلية التالية:

**خطر** 

**خطر!**

◀ تشير لخطر مباشر يؤدي لإصابات جسدية خطيرة أو إلى الوفاة.

**تحذير** 

**تحذير!**

◀ تشير لخطر محتمل قد يؤدي لإصابات جسدية خطيرة أو إلى الوفاة.





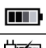

**احترس!** 

**احترس!**

◀ تشير لموقف خطر محتمل يمكن أن يؤدي لإصابات جسدية أو أضرار مادية.

## 2.2.1 الرموز في دليل الاستعمال

يتم استخدام الرموز التالية في دليل الاستعمال هذا:

	يُراعى دليل الاستعمال
	إرشادات الاستخدام ومعلومات أخرى مفيدة
	التعامل مع مواد قابلة لإعادة التدوير
	لا تتخلص من الأجهزة الكهربائية البطاريات ضمن القمامة المنزلية
	Hilti بطارية أيونات الليثيوم
	Hilti جهاز الشحن

## 3.2.1 الرموز في الصور

تستخدم الرموز التالية في الرسوم التوضيحية:



2	تشير هذه الأعداد إلى الصورة المعنية في بداية دليل الاستعمال هذا.
3	ترقيم الصور يمثل ترتيب خطوات العمل في الصور، وقد يختلف عن ترقيم خطوات العمل في النص.
11	يتم استخدام أرقام المواضع في صورة العرض العام وهي تشير إلى أرقام تعليق الصورة في فصل عرض عام للمنتج.
	هذه العلامة من شأنها أن تثير انتباهك جيداً عند التعامل مع المنتج.

### 3.1 الرموز المرتبطة بالمنتج

#### 1.3.1 الرموز على المنتج

قد تكون الرموز التالية مستخدمة على المنتج:

RPM	عدد الأشواط في الدقيقة
$n_0$	عدد الأشواط بلا حمل
---	تيار مستمر
	يدعم المنتج تقنية NFC المتوافقة مع أنظمة التشغيل iOS و Android.
Li-Ion	بطارية أيونات الليثيوم
	لا تستخدم البطارية أبداً كمطرقة.
	لا تدع البطارية تسقط. لا تستخدم بطارية تعرضت لصدمة أو أي نوع آخر من التلفيات.

## 2 السلامة

### 1.2 إرشادات السلامة العامة المتعلقة بالأدوات الكهربائية

**⚠ تحذير احرص على قراءة جميع إرشادات السلامة، التوجيهات، الصور التوضيحية والمواصفات الفنية المرفقة مع هذه الأداة الكهربائية.** أي تقصير أو إهمال في الالتزام بالتعليمات التالية قد يتسبب في حدوث صعق كهربائي، نشوب حريق و/أو وقوع إصابات خطيرة.

**احتفظ بجميع مستندات إرشادات السلامة والتعليمات لاستخدامها عند الحاجة إليها فيما بعد.** يقصد بمصطلح «الأداة الكهربائية» المذكور في إرشادات السلامة الأدوات الكهربائية المشغلة بالكهرباء (باستخدام كابل الكهرباء) أو الأدوات الكهربائية المشغلة بالبطاريات (بدون كابل الكهرباء).

#### سلامة مكان العمل

- ◀ حافظ على نطاق عملك نظيفاً ومضاءً بشكل جيد. الفوضى أو أماكن العمل غير المضاءة يمكن أن تؤدي لوقوع حوادث.
- ◀ لا تعمل بالأداة الكهربائية في محيط معرض لخطر الانفجار يتواجد به سوائل أو غازات أو أنواع غبار قابلة للاشتعال. الأدوات الكهربائية تولد شرراً يمكن أن يؤدي لإشعال الغبار والأبخرة.
- ◀ احرص على إبعاد الأطفال الآخرين أثناء استخدام الأداة الكهربائية. في حالة انصراف انتباهك قد تفقد السيطرة على الجهاز.

#### السلامة الكهربائية

- ◀ يجب أن يكون قابس توصيل الأداة الكهربائية متلائماً مع المقبس. لا يجوز تعديل القابس بأي حال من الأحوال. لا تستخدم قوايس مهايأة مع أدوات كهربائية ذات وصلة أرضي محمية. القوايس غير المعدلة والمقابس الملائمة تقلل من خطر حدوث صدمة كهربائية.
- ◀ تجنب حدوث تلامس للجسم مع أسطح مؤرضة مثل الأسطح الخاصة بالمواسير وأجهزة التدفئة والمواقد والثلاجات. ينشأ خطر متزايد من حدوث صدمة كهربائية عندما يكون جسمك متصلاً بالأرض.
- ◀ أبعد الأدوات الكهربائية عن الأمطار أو البلى. تسرب الماء إلى داخل الأداة الكهربائية يزيد من خطر حدوث صدمة كهربائية.



- ◀ لا تستخدم كابل التوصيل لحمل الأداة الكهربائية أو تعليقها أو لسحب القابس من المقبس. احتفظ بكابل التوصيل بعيدا عن السخونة والزيوت والمواف الحادة والأجزاء المتحركة. كابلات التوصيل التالفة أو المتشابكة تزيد من خطر حدوث صعق كهربائي.
- ◀ عندما تعمل بأداة كهربائية في مكان مكشوف، فلا تستخدم سوى كابلات الإطالة المناسبة للعمل في النطاق الخارجي. استخدام كابل إطالة مناسب للعمل في النطاق الخارجي يقلل من خطر حدوث صعق كهربائي.
- ◀ إذا تعذر تجنب تشغيل الأداة الكهربائية في محيط رطب، فاستخدم مفتاح حماية من تسرب التيار. استخدام مفتاح الحماية من تسرب التيار يقلل خطر حدوث صدمة كهربائية.
- سلامة الأشخاص**
- ◀ كن يقظا وانتبه لما تفعل وتعامل مع الأداة الكهربائية بتعقل عند العمل بها. لا تستخدم الأداة الكهربائية عندما تكون متعبا أو تحت تأثير المخدرات أو الكحوليات أو العقاقير. فقد يتسبب عدم الانتباه للحظة واحدة أثناء الاستخدام في حدوث إصابات بالغة.
- ◀ ارتد تجهيزات وقاية شخصية وارتد دائما نظارة واقية. ارتد تجهيزات وقاية شخصية، مثل قناع الوقاية من الغبار وأحذية الأمان المضادة للانزلاق وخوذة الوقاية أو واقى السمع، تبعا لنوع واستخدام الأداة الكهربائية، يقلل من خطر الإصابات.
- ◀ تجنب التشغيل بشكل غير مقصود. تأكد أن الأداة الكهربائية مطفأة قبل توصيلها بالكهرباء و/أو بالبطارية وقبل رفعها أو حملها. إذا كان إصبعك على المفتاح عند حمل الأداة الكهربائية أو كان الجهاز في وضع التشغيل عند التوصيل بالكهرباء، فقد يؤدي ذلك لوقوع حوادث.
- ◀ أبعد أدوات الضبط أو مفاتيح ربط البراغي قبل تشغيل الأداة الكهربائية. الأداة أو المفتاح المتواجد في جزء دوار من الجهاز يمكن أن يؤدي لحدوث إصابات.
- ◀ تجنب اتخاذ وضع غير طبيعي للجسم. احرص على أن تكون واقفا بأمان وحافظ على توازنك في جميع الأوقات. من خلال ذلك تستطيع السيطرة على الأداة الكهربائية بشكل أفضل في المواقف المفاجئة.
- ◀ ارتد ملابس مناسبة. لا ترتد ملابس فضفاضة أو حلي. احرص على أن يكون الشعر والملابس والقفازات بعيدة عن الأجزاء المتحركة. الملابس الفضفاضة أو الحلي أو الشعر الطويل يمكن أن تشبك في الأجزاء المتحركة.
- ◀ إذا أمكن تركيب تجهيزات شفت وتجميع الغبار، فتأكد أنها موصلة ومستخدمة بشكل سليم. استخدام تجهيزة شفت الغبار يمكن أن يقلل الأخطار الناتجة عن الغبار.
- ◀ لا تعتقد بأنك في مأمن عن الخطر ولا تتجاهل تشريعات السلامة المعنية للأدوات الكهربائية، حتى وإن كنت على دراية بالأداة الكهربائية بعد تكرار استخدامها. التعامل مع الجهاز بدون حذر قد يؤدي إلى وقوع إصابات بالغة في جزء من الثانية.
- استخدام الأداة الكهربائية والتعامل معها**
- ◀ لا تفرط في التمهيل على الجهاز. استخدم الأداة الكهربائية المناسبة للعمل الذي تقوم به. استخدام الأداة الكهربائية المناسبة يتبع لك العمل بشكل أفضل وأكثر أمانا في نطاق العمل المقرر.
- ◀ لا تستخدم أداة كهربائية ذات مفتاح تالف. الأداة الكهربائية التي لم يعد يمكن تشغيلها أو إطفائها تمثل خطورة ويجب إصلاحها.
- ◀ اسحب القابس من المقبس و/أو اخلع البطارية القابلة للخلع من الجهاز قبل إجراء عمليات الضبط، أو استبدال أجزاء الملحقات أو عند ترك الجهاز. هذا الإجراء الوقائي يمنع بدء تشغيل الأداة الكهربائية دون قصد.
- ◀ احتفظ بالأدوات الكهربائية غير المستخدمة بعيدا عن متناول الأطفال. لا تسمح باستخدام الجهاز من قبل أشخاص ليسوا على دراية به أو لم يقرأوا هذه التعليمات. الأدوات الكهربائية خطيرة في حالة استخدامها من قبل أشخاص ليست لديهم الخبرة الواجبة.
- ◀ اعتني جيدا بالأدوات الكهربائية والملحقات. افحص الأجزاء المتحركة من حيث أداؤها لوظائفها بدون مشاكل وعدم انحصارها وافحصها من حيث وجود أجزاء مكسورة أو متعرضة للضرر يمكن أن تؤثر سلبا على وظيفة الأداة الكهربائية. اعمل على إصلاح الأجزاء التالفة قبل استخدام الجهاز. الكثير من الحوادث مصدرها الأدوات الكهربائية التي تم صيانتها بشكل رديء.
- ◀ حافظ على أدوات القطع حادة ونظيفة. تميز أدوات القطع ذات حواف القطع الحادة المعتنى بها بدقة بأنها أقل عرضة للتعثر وأسهل في التعامل.
- ◀ استخدم الأداة الكهربائية والملحقات وأدوات العمل وخلافه طبقا لهذه التعليمات. احرص في هذه الأثناء على مراعاة اشتراطات العمل والمهمة المراد تنفيذها. استخدام الأدوات الكهربائية في تطبيقات غير تلك المقررة لها يمكن أن يؤدي لمواقف خطيرة.



- حافظ على المقابض ومواضع المسك في حالة جافة ونظيفة وخالية من الزيت والشحم. المقابض ومواضع المسك الانزلاقية تحول دون استعمال الأداة الكهربائية والتحكم بها بشكل آمن في المواقف غير المتوقعة.
- استخدام الأداة العاملة بالبطارية والتعامل معها**
- لا تشحن البطارية إلا في أجهزة شحن موصى بها من قبل الجبة الصانعة. بالنسبة لجهاز الشحن المناسب لنوع معين من البطاريات، ينشأ خطر الحريق عند استخدامه مع بطاريات أخرى.
- لا تضع في الأدوات الكهربائية سوى البطاريات المخصصة لها. استخدام بطاريات أخرى يمكن أن يؤدي لوقوع إصابات وخطر الحريق.
- أبعد البطارية غير المستخدمة عن مشابك الورق وقطع النقود المعدنية والمفاتيح والمسامير والبراغي أو الأشياء المعدنية الصغيرة الأخرى التي يمكن أن تتسبب في توصيل الملامسين لبعضهما. حدوث قفلة كهربائية بين أطراف توصيل البطارية يمكن أن ينتج عنه حدوث حروق أو نشوب حريق.
- عند الاستخدام بشكل خاطئ يمكن أن يتسرب سائل من البطارية. تجنب ملامسته. اشطفه بالماء في حالة ملامسته عن طريق الخطأ. إذا وصل السائل للعينين، فتوجه للطبيب علاوة على ذلك. سائل البطارية المتسرب يمكن أن يؤدي لتبجع البشرة أو حدوث حروق.
- لا تستخدم بطارية تالفة أو مختلفة. البطاريات التالفة أو المختلفة قد تتفاعل مع نفسها بشكل غير متوقع مما يؤدي لنشوب حريق أو حدوث انفجار أو وقوع إصابات.
- لا تعرض البطارية للنار أو لدرجات حرارة مرتفعة للغاية. حيث قد تؤدي النار ودرجات الحرارة الزائدة عن 130 م° (265 ف°) إلى حدوث انفجار.
- الترم بكافة التعليمات المعنية بالشم، ولا تقم أبداً بشحن البطارية أو الأداة العاملة بالبطارية خارج نطاق درجة الحرارة الوارد ذكره في دليل التشغيل. الشحن بشكل خاطئ أو خارج نطاق درجة الحرارة المسموح به قد يتلف البطارية ويزيد من خطر الحريق.

#### الخدمة

- اعمل على إصلاح أدواتك الكهربائية على أيدي فنيين معتمدين فقط والاقصرار على استخدام قطع الغيار الأصلية. وبذلك تتأكد من الحفاظ على سلامة الجهاز.
- لا تقم أبداً بصيانة البطاريات التالفة. يجب أن تتم جميع أعمال الصيانة بمعرفة الجبة الصانعة فقط أو من خلال مراكز خدمة العملاء المعتمدين.

### 2.2 إرشادات السلامة للمناشير المزودة بشفرة منشار تتحرك ذهاباً وجيئة

- احرص على مسك الأداة الكهربائية من مواضع المسك المعزولة عند إجراء أعمال يحتمل فيها أن تتلامس الأداة الكهربائية مع أسلاك كهربائية مخفية. حيث أن ملامسة سلك يسري فيه التيار الكهربائي يمكن أن ينقل الجهد الكهربائي للأجزاء المعدنية بالجهاز ويؤدي لحدوث صدمة كهربائية.
- قم بتثبيت وتأمين أداة الشغل على سنادة ممتينة باستخدام قامطات أو بأي طريقة أخرى. أما إذا قيمت بمسك قطعة الشغل بيدك أو سندها بجسمك، فستظل غير مستقرة، وقد يؤدي هذا إلى فقدان السيطرة.

### 3.2 إرشادات إضافية للسلامة

- اقتصر على استخدام المنتج والملحق وهما في حالة سليمة من الناحية الفنية.
- لا تقم أبداً بإجراء أية تدخلات أو تغييرات على المنتج أو الملحق.
- يمكن أن يحتوي الغبار الناتج عن التجليغ والسفرة والقطع والثقب على مواد كيميائية خطيرة. بعض الأمثلة: الرصاص أو الدهانات التي تحتوي على الرصاص، القرميد والخرسانة ومنتجات البناء الأخرى وأحجار البناء الطبيعية والمنتجات الأخرى المحتوية على السيليكات، بعض الأخشاب مثل البلوط والزنان والأخشاب المعالجة كيميائياً، الأسبستوس أو الفامات المحتوية على الأسبستوس. قم بتحديد مدى تعرض المستخدم والأشخاص المحيطين لفئة خطر الفامات التي يجري العمل عليها. اتخذ التدابير اللازمة للحفاظ على مدى التعرض في مستوى آمن، على سبيل المثال، استخدام نظام تجميع الغبار أو ارتداء كمامة مناسبة للتنفس. تشمل التدابير العامة للحد من مدى التعرض ما يلي:
  - العمل في نطاق جيد التهوية،
  - تجنب ملامسة الغبار لفترة طويلة،
  - إزالة الغبار عن الوجه والجسم،
  - ارتداء بزة واقية وغسل المناطق المكشوفة بالماء والصابون.
- خطر الإصابة من جراء سقوط الأدوات و/أو الملحقات. تأكد قبل بدء العمل أن الملحقات المثبتة بشكل آمن.



- ◀ احتفظ بفتحات التهوية مكشوفة دائماً. خطر حدوث حرائق بسبب فتحات التهوية المغطاة!
- ◀ خذ قسطاً من الراحة بشكل متكرر وقم بتمارين استرخاء لسريان الدم في الأصابع بشكل أفضل. عند القيام بأعمال لفترات طويلة، فقد تحدث اضطرابات في الأوعية الدموية أو الجهاز العصبي بسبب كثرة الاهتزازات على الأصابع أو الأيدي أو معصم اليدين.
- ◀ لا تقم بتثبيت أي خطاف حزام على هذا المنتج.
- ◀ لا تنظر بشكل مباشر إلى مصدر الإضاءة (لمبة LED) الخاصة بالمنتج ولا تقم بتوجيه الإضاءة إلى أوجه أشخاص آخرين. فبناك خطر الإصابة بالعمى.
- ◀ أثناء استخدام المنتج يجب على المستخدم والأشخاص المتواجدين على مقربة منه استعمال نظارة واقية وخوذة حماية وواقى للسمع وقفاز واق وكمامة خفيفة.
- ◀ الشظايا المتطايرة يمكن أن تصيب الجسم والعينين. احرص على ارتداء تجهيزات الحماية الشخصية وارتد دائماً نظارة واقية للعينين وقفاز واق.
- ◀ قم بارتداء قفازا واقيا أثناء تغيير الأدوات. ملامسة أداة الشغل قد تؤدي لوقوع إصابات بجروح قطعية وإصابة بجروح.
- ◀ لا تدخل يديك في نطاق النشر ولا تلامس شفرة المنشار. إذا لزوم الأمر كنوع من الدعم، أمسك المنتج بيدك الأخرى من جسم المحرك. عندما تكون اليدين ممسكتين بالمنشار، فلا يمكن أن يتعرضوا للإصابة نتيجة القطع بالمنشار.
- ◀ انتظر حتى يتوقف المنتج قبل تخزينه.
- ◀ لا تستخدم شفرات مناشير ثلثة أو متضررة. حيث إن هذه الشفرات تتسبب في زيادة الاحتكاك، انحصار أو ارتداد شفرة المنشار.
- ◀ وقم بتثبيت قطعة الشغل على قاعدة ثابتة. لا تمسك قطعة الشغل التي تريد قطعها بالمنشار أبداً باليد أو تضعها فوق سارك.
- ◀ اقتصر على تشغيل المنتج في وضع العمل فقط.
- ◀ قم دائماً بإبعاد المنتج عن جسمك عند قيامك بتنفيذ الأعمال.
- ◀ لا تضع يدك تحت قطعة الشغل.
- ◀ اضغط الجهاز بشكل معتدل أثناء العمل واستخدم سرعة قطع مناسبة، خصوصاً في حالة المواسير ذات القطر الكبير. وهذا من شأنه منع تعرض المنتج للسخونة المفرطة.
- ◀ استخدم دائماً شفرة منشار بطول مناسب. ينبغي أن تكون شفرة المنشار فوق قطعة الشغل طوال الشوط بالكامل.
- ◀ لا تقم أبداً بالقطع في خامات غير معروفة، واحرص على إخلاء مسار القطع بأعلى وأسفل من العوائق.
  - ◀ إذا اصطدمت شفرة المنشار بشيء ما، فقد يتسبب ذلك في ارتداد المنتج بقوة.
- ◀ اجعل ذراعيك في وضع يتبع لك امتصاص قوى الارتداد.
- ◀ يجب أن يكون المنتج مضغوطاً جيداً باللقمة الضاغطة على قطعة الشغل المراد معالجتها. ومن شأن ذلك أن يضمن إجراء الأعمال بصورة مثالية وأمنة.
- ◀ قف دائماً في وضع جانبي لشفرة المنشار، ولا تجعل شفرة المنشار على خط واحد أبداً مع جسمك. في حالة حدوث ارتداد، فقد يرتد المنشار للخلف!
- ◀ إذا تعرضت شفرة المنشار للانحصار أو توقفت عن العمل، فأوقف المنشار واحتفظ به في قطعة الشغل في وضع ساكن، إلى أن تتوقف شفرة المنشار تماماً. لا تحاول أبداً نزع المنشار من قطعة الشغل أو سحبه للخلف طالما كانت شفرة المنشار تتحرك، وإلا فقد يحدث ارتداد.
- ◀ إذا أردت إعادة تشغيل منشار وهو داخل قطعة الشغل، فقم بمركزة شفرة المنشار في شق النشر وتحقق من أن أسنان المنشار ليست عالقة في قطعة الشغل.
- ◀ احرص على توخي الحذر الشديد عند القطع بالمنشار في الجدران القائمة أو النطاقات الأخرى الكامنة. فشفرة المنشار المتوغلة في السطح يمكن أن تصطدم بأشياء مخفية أثناء القطع وتتسبب في حدوث ارتداد.
- ◀ قم بتفعيل وسيلة تأمين النقل عند تخزين ونقل المنتج.
- ◀ احرص على مراعاة تعليمات الجهة الصانعة بخصوص طريقة التعامل مع شفرات المنشار وحفظها.
- ◀ أثناء أعمال الثقب قم بتأمين النطاق الواقع على الجهة المقابلة للعمل.
- ◀ قبل بدء الأعمال افحص نطاق العمل من حيث وجود توصيلات كهربائية مدفونة أو مواسير للغاز والماء. الأجزاء المعدنية الخارجية بالمنتج يمكن أن تتسبب في صدمة كهربائية أو انفجار، إذا قمت بإتلاف إحدى توصيلات التيار أو ماسورة الغاز أو الماء.
- ◀ احرص عند قطع خطوط الأنابيب على أن يكون المنتج أعلى من خط الأنابيب المراد قطعه.
- ◀ لا يتمتع المنتج بأية حماية ضد تسرب الرطوبة. وقد يتسبب السائل المتسرب في حدوث قفلة كهربائية بالمنتج.





تأكد عند قطع خطوط الأنابيب أن خطوط الأنابيب لم تعد تحتوي على أية سوائل. قم عند اللزوم بتفريغها من السوائل.

## 4.2 التعامل بعناية مع الأجهزة العاملة بالبطاريات واستخدامها

- احرص على مراعاة إرشادات السلامة التالية للتعامل والاستخدام الآمن لبطاريات أيونات الليثيوم. وعدم مراعاة ذلك قد يؤدي إلى حدوث تيجيات للبشرة، إصابات أكلة بالغة، حروق كيميائية، حرائق و/ أو انفجارات.
- اقتصر على استخدام البطاريات وهي في حالة سليمة من الناحية الفنية.
- احرص على التعامل مع البطاريات بعناية لتجنب وقوع أضرار ومنع تسرب السوائل التي قد تضر بالصحة بصورة كبيرة!
- لا يجوز بأي حال من الأحوال تعديل البطاريات أو العبث بها!
- لا يجوز تفكيك البطاريات أو سحبقها أو وضعها في درجة حرارة أعلى من 80° م (176° ف) أو حرقها.
- لا تقم باستخدام أو شحن بطاريات تعرضت لصدمة أو أي نوع آخر من الأضرار. افحص البطاريات بشكل دوري بحثاً عن علامات التلف.
- لا تقم مطلقاً باستخدام بطاريات مُعاد تدويرها أو التي تم إصلاحها.
- لا تستخدم أبداً البطارية أو أية أداة كهربائية مشغلة بالبطارية كمطرقة.
- لا تقم مطلقاً بتعرض البطاريات لأشعة الشمس المباشرة أو درجات الحرارة المرتفعة أو تولد الشرر أو اللهب المكشوف. فقد يؤدي ذلك إلى حدوث انفجارات.
- لا تلمس أقطاب البطارية بأصابعك، أدوات، خُلي أو أية أشياء أخرى موصلة للكهرباء. فقد يؤدي ذلك إلى إلحاق الضرر بالبطارية وحدوث أضرار مادية والإصابات.
- احتفظ بالبطاريات بعيداً عن الأمطار والبلل والسوائل. فالرطوبة المتسربة قد تتسبب في حدوث قفلات كهربائية، صدمات كهربائية، حرائق وانفجارات.
- اقتصر على استخدام الشواحن والأدوات الكهربائية المقررة لهذه البطارية. يلزم مراعاة المعلومات الواردة في دليل الاستعمال المعني.
- لا تقم باستخدام أو تخزين البطارية في النطاقات المُعرضة لخطر الانفجار.
- في حالة السخونة الشديدة للبطارية بحيث يتعذر الإمساك بها، فقد تكون تالفة. احرص على وضع البطارية في مكان مرتني وغير قابل للاشتعال مع وجود مسافة كافية من الخامات القابلة للاشتعال. اترك البطارية تبرد. إذا ظلت البطارية ساخنة بعد مرور ساعة لدرجة تعذر لمسها، فهذا يعني أنها تالفة. توجه إلى مركز خدمة Hilti أو اقرأ المستند "إرشادات لسلامة واستخدام بطاريات أيونات الليثيوم Hilti".

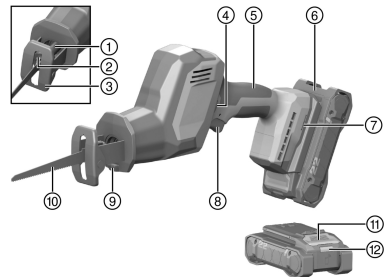
احرص على مراعاة اللوائح الخاصة التي تسري على نقل وتخزين واستخدام بطاريات أيونات الليثيوم. اقرأ إرشادات سلامة واستخدام بطاريات أيونات الليثيوم Hilti، التي يمكنك العثور عليها عن طريق مسح كود الاستجابة السريعة الموجود في نهاية دليل الاستعمال هذا.



## 3 الشرح

### 1.3 نظرة عامة على المنتج

- ① جلبة تثبيت شفرة المنشار
- ② ظرف تركيب أدوات شفرة المنشار
- ③ لقمة ضاغطة
- ④ وسيلة تأمين النقل
- ⑤ المقبض
- ⑥ البطارية
- ⑦ فتحة تركيب الملحق
- ⑧ مفتاح التحكم
- ⑨ لمبة إضاءة نطاق العمل (LED)
- ⑩ شفرة المنشار
- ⑪ زر تحرير البطارية
- ⑫ مبيّن حالة البطارية



### 2.3 الاستخدام المطابق للتعليمات

المنتج الموضع عبارة عن منشار ترددي مشغل بالبطارية. وهو مصمم لقطع الخشب والمواد الشبيهة بالخشب والمواد المعدنية والطوب وكذلك المواد البلاستيكية.  
المنتج مصمم للاستخدام بيد واحدة.

- اقتصر على استخدام بطاريات أيونات الليثيوم Nuron من Hilti من النوع B 22 مع هذا المنتج. لتحقيق القدرة المثالية، توصي Hilti باستخدام البطاريات المذكورة بالجدول الوارد بنهاية دليل الاستعمال هذا مع هذا المنتج.
- اقتصر على استخدام شواحن Hilti من الأنواع المذكورة بالجدول الوارد بنهاية دليل الاستعمال هذا لشحن هذه البطاريات.

### 3.3 الاستخدام الخاطئ المحتمل

- ◀ لا تستخدم الجهاز في قطع الخرسانة أو الخرسانة الخلوية أو أحجار البناء الطبيعية أو البلاط.
- ◀ لا تستخدم المنتج لقطع الأنابيب المشتملة على سوائل.
- ◀ لا تستخدم المنشار في نشر خامات غير معروفة.

### 4.3 مجموعة التجهيزات الموردة

المنشار الترددي، دليل الاستعمال.  
تجد المزيد من منتجات النظام المسموع بها للمنتج الخاص بك لدى متجر Hilti Store أو على موقع الإنترنت: [www.hilti.group](http://www.hilti.group)

### 5.3 بيانات بطارية أيونات الليثيوم

يمكن لبطاريات أيونات الليثيوم Hilti Nuron عرض حالة الشحن وبلاغات الأخطاء وحالة البطارية.

#### 1.5.3 عرض حالة الشحن وبلاغات الأخطاء



#### خطر الإصابة بسبب سقوط البطارية!

- ◀ بينما البطارية مركبة، تأكد بعد الضغط على زر التحرير أنك قمت بإعادة تثبيت البطارية بشكل صحيح في المنتج المستخدم.

لكي يتسنى الحصول على أحد البيانات التالية، اضغط لوهلة قصيرة على زر تحرير البطارية.  
وأيضاً يتم باستمرار عرض حالة الشحن وكذلك الاختلالات المُحتملة طوال فترة تشغيل المنتج الموصول.

الحالة	الاستعمال
تضيء أربع لمبات LED (4) باستمرار باللون الأخضر	حالة الشحن: 100 % إلى 71 %
تضيء ثلاث لمبات LED (3) باستمرار باللون الأخضر	حالة الشحن: 70 % إلى 51 %
تضيء لمبة LED (2) باستمرار باللون الأخضر	حالة الشحن: 50 % إلى 26 %
تضيء لمبة LED واحدة (1) باستمرار باللون الأخضر	حالة الشحن: 25 % إلى 10 %
تومض لمبة LED واحدة (1) ببطء باللون الأخضر	حالة الشحن: > 10 %
تومض لمبة LED واحدة (1) بسرعة باللون الأخضر	بطارية أيونات الليثيوم فارغة الشحنة تماماً. اشحن البطارية. إذا استمر وميض لمبة LED بسرعة بعد شحن البطارية، توجه إلى مركز خدمة Hilti.
تومض لمبة LED واحدة (1) بسرعة باللون الأصفر	هناك تحميل زائد على بطارية أيونات الليثيوم أو المنتج المرتبط بها أو بهما سخونة زائدة أو برودة زائدة أو بهما خطأ آخر. اعمل على توفير درجة حرارة العمل الموصى بها للمنتج وللبطارية، واحرص على ألا يتعرض المنتج للتحميل الزائد عند استخدامه. إذا استمر وجود البلاغ، توجه إلى مركز خدمة Hilti.
تضيء لمبة LED واحدة (1) باللون الأصفر	بطارية أيونات الليثيوم والمنتج المرتبط بها ليسا متوافقين. يُرجى التوجه إلى مركز خدمة Hilti.



الحالة	الاستعمال
تومض لمبة LED واحدة (1) بسرعة باللون الأحمر	تم تعطل بطارية أيونات الليثيوم ولا يمكن مواصلة استخدامها. يُرجى التوجه إلى مركز خدمة Hilti.

### 2.5.3 عرض حالة البطارية

للاستفسار عن حالة البطارية، احتفظ بزر التمرير مضغوطاً لمدة تزيد على ثلاث ثوانٍ. لا يكتشف النظام أي عطل محتمل في البطارية بسبب سوء الاستخدام، على سبيل المثال السقوط أو الثقب أو الأضرار الخارجية بفعل الحرارة، وما إلى ذلك

الحالة	الاستعمال
تضيء جميع لمبات LED كخط إضاءة متتابع، وبعد ذلك تضيء لمبة LED واحدة (1) باستمرار باللون الأخضر.	لا يزال من الممكن استخدام البطارية.
تضيء جميع لمبات LED كخط إضاءة متتابع، وبعد ذلك تومض لمبة LED واحدة (1) بسرعة باللون الأصفر.	تعذر إتمام الاستعلام عن حالة البطارية. كرر العملية أو توجه إلى مركز خدمة Hilti.
تضيء جميع لمبات LED كخط إضاءة متتابع، وبعد ذلك تضيء لمبة LED واحدة (1) باستمرار باللون الأحمر.	إذا كان لا يزال من الممكن استخدام منتج موصل، تكون قدرة البطارية المتبقية أقل من 50%. إذا لم يعد من الممكن استخدام منتج موصل، فهذا يعني أن البطارية في نهاية عمرها الافتراضي ويجب تغييرها. يُرجى التوجه إلى مركز خدمة Hilti.

## 4 المواصفات الفنية

### 1.4 المنشار الترددي

SR 4-22	
02	جيل المنتج
21.6 فلت	الجهد الكهربائي الاسمي
2 كجم	الوزن حسب EPTA Procedure 01 بدون البطارية
0 لفة/دقيقة ... 3,000 لفة/دقيقة	عدد الأشواط
23.2 مم	طول الشوط
1/2 بوصة	ظرف تركيب الأدوات بلا مفتاح للأدوات القياسية
-20 °م ... 70 °م	درجة حرارة التخزين
-17 °م ... 60 °م	درجة الحرارة المحيطة أثناء التشغيل

### 2.4 البطارية

21.6 فلت	جهد تشغيل البطارية
انظر نهاية هذا الدليل	وزن البطارية
-17 °م ... 60 °م	درجة الحرارة المحيطة أثناء التشغيل
-20 °م ... 40 °م	درجة حرارة التخزين
-10 °م ... 45 °م	درجة حرارة البطارية عند بدء الشحن

### 3.4 معلومات الضوضاء وقيم الاهتزاز

تم قياس ضغط الصوت وقيم الاهتزاز الواردة في هذا الدليل طبقاً لأحد معايير القياس المحددة ويمكن الاستعانة بها في إجراء مقارنة بين الأدوات الكهربائية مع بعضها البعض. وهي مناسبة أيضاً لتقدير حجم المخاطر بصورة أولية.

المواصفات الواردة تتعلق بالاستخدامات الأساسية للأداة الكهربائية. أما إذا تم استخدام الأداة الكهربائية في تطبيقات أخرى مع أدوات شغل مخالفة للمواصفات أو دون صيانة كافية، ففي هذه الحالة قد تختلف المواصفات. وقد يزيد هذا من نسبة المخاطر طوال مدة العمل بصورة واضحة.



وللحصول على تقدير دقيق لحجم المخاطر ينبغي أيضا مراعاة الأوقات التي يتم فيها إيقاف الجهاز أو التي يتم فيها تشغيل الجهاز ولكن دون استخدام حقيقي. وقد يقلل هذا من نسبة المخاطر طوال مدة العمل بصورة واضحة. احرص على اتخاذ إجراءات إضافية للسلامة من شأنها حماية المستخدم من تأثير الضجيج و/أو الاهتزازات مثل: صيانة الأداة الكهربائية وأدوات الشغل والمخاط على الأيدي في حالة دافئة وتنظيم مراحل العمل.

يمكن العثور على معلومات تفصيلية حول الإصدارات المستخدمة هنا وفقا للمواصفات في الصورة **EN 62841**- الخاصة ببيان المطابقة 221.

### معلومات الضجيج

<b>SR 4-22</b>	
95 ديسيبل (A)	مستوى شدة الصوت ( $L_{WA}$ )
5 ديسيبل (A)	نسبة التفاوت لمستوى شدة الصوت ( $K_{WA}$ )
87 ديسيبل (A)	مستوى ضغط الصوت ( $L_{pA}$ )
5 ديسيبل (A)	نسبة التفاوت لمستوى ضغط الصوت ( $K_{pA}$ )

### معلومات الاهتزاز

12.8 م/ثانية <sup>2</sup>	<b>B 22-55</b>	قيمة انبعاثات الاهتزاز لنشر ألواح الخشب المضغوط ( $a_{nB}$ )
11.1 م/ثانية <sup>2</sup>	<b>B 22-85</b>	
11.5 م/ثانية <sup>2</sup>	<b>B 22-55</b>	قيمة انبعاثات الاهتزاز لنشر الكتل الخشبية ( $a_{nWB}$ )
12.2 م/ثانية <sup>2</sup>	<b>B 22-85</b>	
1.5 م/ثانية <sup>2</sup>		نسبة التفاوت (K)

## 5 الاستعمال

### 1.5 شحن البطارية

1. قبل الشحن، قم بقراءة دليل استعمال جهاز الشحن.
2. احرص على أن تكون أطراف تلامس البطارية وجهاز الشحن نظيفة وجافة.
3. قم بشحن البطارية باستخدام شاحن مصعب به. 166

### 2.5 تركيب البطارية

#### تحذير

#### خطر الإصابة من خلال قفلة كهربائية أو سقوط البطارية!

- تأكد قبل تركيب البطاريات في الجهاز من عدم وجود أجسام غريبة بين أطراف توصيل البطارية والجهاز.
- تأكد من تثبيت البطارية بشكل صحيح دائما.

1. اشحن البطارية لآخرها تماما قبل التشغيل لأول مرة.
2. قم بتحرك البطارية في المنتج إلى أن تستقر في موضعها بصوت مسموع.
3. تفحص البطارية من حيث ثباتها في موضعها بشكل جيد.

### 3.5 خلع البطارية

1. اضغط على زر تحرير البطارية.
2. اسحب البطارية من المنتج.

### 4.5 تجهيزة الحماية من السقوط

#### تحذير

#### خطر الإصابة من جراء أدوات الشغل و/أو الملحقات المتساقطة!

- اقتصر على استخدام حزام تثبيت أداة الشغل من Hilti الموصى به لمنتجك.
- افحص نقطة تثبيت حزام تثبيت أداة الشغل قبل كل استخدام بحثاً عن الأضرار المحتملة.



احرص على مراعاة اللوائح المحلية لبلدك للعمل على المرتفعات.



استخدم لهذا المنتج كتهيئة حماية من السقوط فقط التوليفة المكونة من Hilti ووظيفة التأمين ضد السقوط #2293133 مع Hilti حزام تثبيت أداة الشغل #2261970.

- ◀ قم بتثبيت تجهيز التأمين ضد السقوط في فتحات تركيب الملحق. تحقق من التثبيت الآمن.
- ◀ قم بتثبيت مشبك حزام تثبيت أداة الشغل على تجهيز التأمين ضد السقوط والمشبك الثاني ببكل داعم. تحقق من التثبيت الآمن للمشبيين.

احرص على مراعاة دليل الاستعمال الخاص بتجهيز التأمين ضد السقوط Hilti وأيضا حزام تثبيت أداة الشغل Hilti.



## 5.5 تركيب شفرة المنشار 2

اقصر على استخدام شفرات مناشير بطرف إدخال مقاس 1/2 بوصة.



1. تأكد أن طرف إدخال الأداة نظيف ومشمع بشكل خفيف. إذا لزم الأمر قم بتنظيف وتشحيم طرف الإدخال.
2. أدر جلبة تثبيت طرف تركيب الأدوات عكس اتجاه عقارب الساعة واحتفظ بها مضغوطة.
3. اضغط شفرة المنشار من الأمام في طرف تركيب الأدوات.
4. اترك جلبة التثبيت ترتد إلى وضعها الأصلي إلى أن تثبت بصوت مسموع.
5. تأكد من ثبات شفرة المنشار عن طريق جذبها.

## 6.5 خلع شفرة المنشار 3

**⚠ تحترس:**

**خطر الإصابة!** قد تكون أداة الشغل ساخنة وأو حادة المواف.

- ◀ ارتد قفازات واقية عند تغيير أداة الشغل.
- ◀ لا تقم أبدا بوضع أداة الشغل الساخنة على أرضيات قابلة للاشتعال.

1. أدر جلبة تثبيت طرف تركيب الأدوات عكس اتجاه عقارب الساعة واحتفظ بها مضغوطة.
2. أخرج شفرة المنشار من طرف تركيب الأدوات بجذبها إلى الأمام.
3. اترك جلبة التثبيت ترتد إلى وضعها الأصلي.

## 6 الاستعمال

تراجع إرشادات الأمان والإرشادات التحذيرية الواردة في هذا المستند وعلى الجهاز.

### 1.6 النشر

**⚠ تحذير**

**خطر الإصابة عند استمرار ترك المنشار!**

- ◀ لا ترفع المنتج عن قطعة الشغل إلا بعد أن يتوقف تماما.
- ◀ انتظر حتى يتوقف المنتج تماما قبل تخزينه.

1. أوقف فعالية وسيلة تأمين النقل واضغط على مفتاح التحكم.
2. بعد الانتهاء من عملية النشر، اترك مفتاح التحكم.
3. قم بتفعيل وسيلة تأمين النقل.

## 7 العناية والصيانة

**⚠ تحذير**

**خطر الإصابة عند تكون البطارية مركبة!**

- ◀ احرص على خلع البطارية دائما قبل جميع أعمال الإصلاح والعناية!



## العناية بالمنتج

- احرص على إزالة الاتساخات شديدة الالتصاق مع توخي الحرص.
- في حالة وجودها، قم بتنظيف فتحات التهوية بحرص باستخدام فرشاة جافة وناعمة.
- قم بتنظيف جسم المنتج باستخدام قطعة قماش مبللة بعض الشيء. لا تستخدم مواد عناية محتوية على سيليكون، نظرًا لأنها قد تؤدي إلى تلف الأجزاء البلاستيكية.
- قم بتنظيف وتزليق ظرف تركيب الأدوات من الخارج بانتظام. ولهذا الغرض استخدم إسبراي 314648 من Hilti.
- استخدم قطعة قماش نظيفة وجافة لتنظيف ملامسات المنتج.

## العناية بطاريات أيونات الليثيوم

- لا تقم مطلقًا باستخدام بطارية ذات فتحات تهوية مسدودة. قم بتنظيف فتحات التهوية بحرص باستخدام فرشاة جافة وناعمة.
- تجنب تعريض البطارية للغبار أو الاتساخات دون داع. لا تقم مطلقًا بتعرض البطارية للرطوبة المرتفعة (على سبيل المثال، غمرها في الماء أو تركها تحت الأمطار).
- في حالة بلل البطارية، تعامل معها كبطارية تالفة. اعزل البطارية في وعاء غير قابل للاشتعال وتوجه إلى مركز خدمة Hilti.
- حافظ على البطارية خالية من الزيت والشحم الخارجي. لا تسمح للغبار أو الاتساخات بالتراكم دون داع على البطارية. قم بتنظيف البطارية باستخدام فرشاة جافة وناعمة أو قطعة قماش نظيفة وجافة. لا تستخدم مواد عناية محتوية على سيليكون، نظرًا لأنها قد تؤدي إلى تلف الأجزاء البلاستيكية.
- لا تلمس ملامسات البطارية ولا تقم بإزالة الشحم الموجود من قبل المصنع عن الملامسات.
- قم بتنظيف جسم المنتج باستخدام قطعة قماش مبللة بعض الشيء. لا تستخدم مواد عناية محتوية على سيليكون، نظرًا لأنها قد تؤدي إلى تلف الأجزاء البلاستيكية.

## الصيانة

- احرص بصورة منتظمة على فحص الأجزاء المرئية من حيث وجود أضرار وافحص عناصر الاستعمال من حيث كفاءتها الوظيفية.
- لا تقم بتشغيل الجهاز في حالة وجود أضرار و/أو اختلالات وظيفية. احرص على إصلاح الجهاز على وجه السرعة لدى خدمة Hilti.
- بعد أعمال العناية والإصلاح قم بتركيب جميع تجهيزات الحماية وافحصها من حيث الأداء الوظيفي السليم.

للتشغيل الآمن اقتصِر على استخدام قطع الغيار الأصلية وخامات الشغل. تجد قطع الغيار وخامات الشغل والملحقات المصرح بها من Hilti للمنتج الخاص بك في متجر Hilti Store أو على موقع الإنترنت: [www.hilti.group](http://www.hilti.group)

## 8 النقل والتخزين

### نقل الأدوات العاملة بالبطارية والبطاريات

#### ⚠️ احترس:

#### التشغيل غير مقصود عند النقل!

◀ قم بنقل المنتج دائمًا بدون البطاريات!

- ◀ اخلع البطارية/البطاريات.
- ◀ لا تقم بنقل البطاريات بكميات كبيرة. ينبغي أثناء النقل حماية البطاريات من الاصطدام العنيف والاهتزازات، وكذلك عزلها عن أية مواد موصلة للكهرباء أو أية بطاريات أخرى، وذلك حتى لا تتلامس مع أقطاب بطاريات أخرى ومن ثم حدوث قفلة كهربائية. احرص على مراعاة تعليمات النقل المحلية للبطاريات.
- ◀ لا يجوز إرسال البطاريات عن طريق البريد. توجه إلى شركة شحن، إذا كنت ترغب في إرسال بطاريات غير تالفة.
- ◀ افحص المنتج والبطاريات من حيث وجود أضرار قبل كل استخدام وقبل وبعد النقل لمسافة طويلة.

### تخزين الأدوات العاملة بالبطارية والبطاريات

#### ⚠️ تحذير

#### أضرار غير مقصودة بسبب البطاريات التالفة أو التي بها تسريب!

- ◀ قم بتخزين المنتج دائمًا بدون البطاريات!
- ◀ احرص على تخزين المنتج والبطاريات في مكان بارد وجاف. احرص على مراعاة القيم الحدية لدرجات الحرارة المذكورة في المواصفات الفنية 167.



- ◀ لا تمتظ بالبطاريات على جهاز الشحن. قم دائماً بإزالة البطارية من الشاحن بعد انتهاء عملية الشحن.
- ◀ لا تقم أبداً بتفزين البطاريات تحت أشعة الشمس أو في مصادر الحرارة أو خلف الزجاج.
- ◀ احرص على تفزين المنتج والبطاريات والاحتفاظ به بعيداً عن متناول الأطفال والأشخاص غير المصرح لهم.
- ◀ افحص المنتج والبطاريات من حيث وجود أضرار قبل كل استخدام وقبل وبعد التفزين لفترة طويلة.

## 9 المساعدة في حالات الاختلالات

في حالات حدوث الاختلالات، قم بمراقبة بيان حالة الشحن وبيان الأخطاء للبطارية. انظر الفصل بيانات بطارية أيونات الليثيوم.

عند حدوث اختلالات غير مذكورة في الجدول أو يتعدى عليك معالجتها بنفسك، فيرجى التوجه إلى مركز خدمة Hilti.


الخلل	السبب المحتمل	الحل
شحنة البطارية تفرغ بشكل أسرع من المعتاد.	حالة البطارية ليست مثالية.	◀ استفسر عن حالة البطارية.  166
البطارية لا تثبت بصوت «طققة» مسموع.	طرف تثبيت البطارية متسخ.	◀ قم بتنظيف طرف التثبيت ثم قم بتركيب البطارية مجدداً.
لمبات LED لا تشير لشيء.	لم يتم إدخال البطارية حتى النهاية.	◀ قم بتثبيت البطارية حتى سماع صوت طققة.
	البطارية تالفة.	◀ توجه إلى مركز خدمة Hilti.
تعذر إخراج شفرة المنشار من ظرف تركيب الأدوات.	ذراع التأمين ليس مضغوطاً حتى النهاية.	◀ أدر ذراع التأمين حتى النهاية ثم اخلع شفرة المنشار.
	انسداد ظرف تركيب الأدوات من جراء مخلفات النشر.	◀ قم بإزالة مخلفات النشر و قم بتنظيف ظرف تركيب الأدوات من الخارج بانتظام. العناية بالمنتج.  169
المنتج لا يعمل بكامل قدرته.	مفتاح التحكم ليس مضغوطاً تماماً.	◀ اضغط مفتاح التحكم تماماً.
	فراغ شحنة البطارية.	◀ قم بتغيير البطارية واشحن البطارية الفارغة.
تعذر إخراج شفرة المنشار من ظرف تركيب الأدوات.	لم يتم إدارة جلبية التثبيت حتى النهاية.	◀ أدر جلبية التثبيت حتى النهاية ثم اخلع نصل المنشار.


## 10 التكبين



**خطر الإصابة من جراء التكبين غير المطابق للتعليمات!** خطر على الصحة من جراء الغازات والسوائل المتسربة.

- ◀ لا تقم بإرسال أو توريد بطاريات تالفة!
- ◀ قم بتغطية التوصيلات باستخدام مادة غير موصلة للكهرباء وذلك لتجنب حدوث قفلات كهربائية.
- ◀ تخلص من البطاريات بحيث لا تصل إلى متناول الأطفال.
- ◀ تخلص من البطارية لدى متجر **Hilti Store** أو توجه إلى مركز التخلص من النفايات المختص.

منتجات **Hilti**  مصنوعة بنسبة كبيرة من مواد قابلة لإعادة التدوير. يشترط إعادة التدوير أن يتم فصل الخامات بشكل سليم فنياً. في كثير من الدول تقوم **Hilti** باستعادة جهازيك القديم لإعادة الانتفاع به. توجه بأسئلتك لخدمة عملاء **Hilti** أو لمستشار المبيعات.

◀ لا تعلق الأدوات الكهربائية، الأجهزة الإلكترونية والبطاريات ضمن القمامة المنزلية! 

## 11 ضمان الجبة الصانعة

- ◀ في حالة وجود أية استفسارات بخصوص شروط الضمان، يرجى التوجه إلى وكيل **Hilti** المحلي التابع لك.





تجد مزيداً من المعلومات حول الاستعمال والتقنية والبيئة وإعادة التدوير تمت الرابط التالي:  
[qr.hilti.com/manual/?id=2243480&id=2243482](http://qr.hilti.com/manual/?id=2243480&id=2243482)  
تجد هذا الرابط أيضاً في نهاية المستند ككود QR.





# オリジナル取扱説明書

## 1 取扱説明書について

### 1.1 本取扱説明書について

- **警告事項！** 本製品をご使用になる前に、同梱の取扱説明書と指示事項、安全上の注意、警告表示、図および製品仕様を読んで、その内容を理解を理解してください。特に、すべての指示事項、安全上の注意、警告表示、図、製品仕様、構成部品と機能に精通しているようにしてください。これを怠ると、感電、火災、および/または重傷事故の危険があります。後日確認できるように、取扱説明書とすべての指示事項、安全上の注意、警告表示を保管しておいてください。
- **HILTI** 製品はプロ仕様で製作されており、その使用、保守、修理を行うのは、認定を受けトレーニングされた人のみに限ります。これらの人は、遭遇し得る危険に関する情報を入手していなければなりません。製品およびアクセサリーの使用法を知らない者による誤使用、あるいは規定外の使用は危険です。
- 製品に同梱されている取扱説明書は、印刷の時点で最新の技術状況を反映しています。オンラインのHilti製品ページで常に最新バージョンをご確認ください。これについては、本取扱説明書のリンク、またはQRコード(📄の記号)に従ってください。
- 他の人が使用する場合には、本製品とともにこの取扱説明書を一緒にお渡しく下さい。

### 1.2 記号の説明

#### 1.2.1 警告表示

警告表示は製品の取扱いにおける危険について警告するものです。以下の注意喚起語が使用されています：



**危険**

危険！

- ▶ この表記は、重傷あるいは死亡事故につながる危険性がある場合に注意を促すために使われます。



**警告**

警告！

- ▶ この表記は、重傷あるいは死亡事故につながる可能性がある場合に注意を促すために使われます。



**注意**

注意！

- ▶ この表記は、身体の負傷あるいは物財の損傷が発生する可能性がある場合に使われます。

#### 1.2.2 取扱説明書の記号

この取扱説明書では、以下の記号が使用されています：

	取扱説明書に注意してください
	本製品を効率良く取り扱うための注意事項や役に立つ情報
	リサイクル可能な部品の取扱い
	電動工具およびバッテリーを一般ゴミとして廃棄してはなりません
	Hilti Li-Ion バッテリー
	Hilti 充電器

#### 1.2.3 図中の記号

図中では以下の記号が使用されています：

	この数字は本取扱説明書冒頭にある該当図を示しています。
3	付番は図中の作業手順の順序に対応していて、本文の作業手順とは一致しない場合があります。



11	概要図には項目番号が付されていて、製品概要セクションの凡例の番号に対応しています。
	この記号は、製品の取扱いの際に特に注意が必要なことを示しています。

### 1.3 製品により異なる記号

#### 1.3.1 製品に表示されている記号

製品には以下の記号が使用されている場合があります：

RPM	ストローク数 / 分
$n_0$	無負荷ストローク速度
— — —	直流
	本製品は、iOS および Android プラットフォームと互換性のある NFC テクノロジーをサポートしています。
Li-Ion	Li-Ionen バッテリー
	バッテリーは決して打撃工具として使用しないでください。
	バッテリーは落下させないでください。ぶつかけたり、あるいはその他の理由で損傷しているバッテリーは使用しないでください。

## 2 安全

### 2.1 電動工具の一般安全注意事項

**警告事項** 本電動工具に付属のすべての安全上の注意、指示事項、図、および製品仕様をお読みください。以下の指示を守らないと、感電、火災および / または重傷事故の危険があります。

安全上の注意および指示事項が書かれた説明書はすべて大切に保管してください。

安全上の注意で使用する用語「電動工具」とは、お手持ちの電動ツール(電源コード使用) またはバッテリーツール(コードレス) を指します。

#### 作業環境に関する安全

- ▶ 作業場はきれいに保ち、十分に明るくしてください。ちらかった暗い場所での作業は事故の原因となります。
- ▶ 爆発の危険性のある環境(可燃性液体、ガスおよび粉じんのある場所) では電動工具を使用しないでください。電動工具から火花が飛散し、粉じんや揮発性ガスに引火する恐れがあります。
- ▶ 電動工具の使用時、子供や無関係者を作業場へ近づけないでください。作業中に気がそらされると、本体のコントロールを失ってしまう恐れがあります。

#### 電気に関する安全注意事項

- ▶ 電動工具の接続プラグは電源コンセントにきちんと適合しなければなりません。プラグは絶対に変更しないでください。保護接地した電動工具と一緒にアダプタープラグを使用しないでください。オリジナルのプラグと適切なコンセントを使用することにより、感電の危険を小さくすることができます。
- ▶ パイプ、ラジエーター、電子レンジ、冷蔵庫などのアースされた面に体の一部が触れないようにしてください。体が触れると感電の危険が大きくなります。
- ▶ 電動工具を雨や湿気から保護してください。電動工具に水が浸入すると、感電の危険が大きくなります。
- ▶ 電動工具を持ち運んだり、吊り下げたり、コンセントからプラグを抜いたりするときは、必ず本体を持ち、電源コードを持ったり引っ張ったりしないでください。電源コードを火気、オイル、鋭利な刃物、可動部等に触れる場所に置かないでください。電源コードが損傷したり絡まったりしていると、感電の危険が大きくなります。
- ▶ 屋外工事の場合には、必ず屋外専用の延長コードを使用してください。屋外専用の延長コードを使用すると、感電の危険が小さくなります。
- ▶ 湿った場所で電動工具を動作させる必要がある場合は、漏電遮断器を使用してください。漏電遮断器を使用すると、感電の危険が小さくなります。



## 作業者に関する安全

- ▶ 電動工具を使用の際には、油断せずに十分注意し、常識をもった作業をおこなってください。疲れている場合、薬物、医薬品服用およびアルコール飲用による影響下にある場合には電動工具を使用しないでください。電動工具使用中の一瞬の不注意が重傷の原因となることがあります。
- ▶ 個人用保護具および保護メガネを常に着用してください。負傷の危険を低減するために、電動工具の使用状況に応じた粉じんマスク、耐滑性の安全靴、ヘルメット、耳栓などの個人用保護具を着用してください。
- ▶ 電動工具の意図しない始動を防止して下さい。電動工具を電源および / またはバッテリーに接続する前や本体を持ち上げたり運んだりする前に、本体がオフになっていることを必ず確認してください。オン / オフスイッチが入っている状態で電動工具のスイッチに指を掛けたまま運んだり、電源に接続したりすると、事故の原因となる恐れがあります。
- ▶ 電動工具のスイッチを入れる前に、必ず調節キーやレンチを取り外してください。調節キーやレンチが本体の回転部に装着されたままでは、けがの原因となる恐れがあります。
- ▶ 作業中は不安定な姿勢をとらないでください。足元を安定させ、常にバランスを保つようにしてください。これにより、万一電動工具が異常状況に陥った場合にも、適切な対応が可能となります。
- ▶ 作業に適した作業着を着用してください。だぶだぶの衣服や装身具を着用しないでください。髪、衣服、手袋を本体の可動部に近づけないでください。だぶだぶの衣服、装身具、長い髪が可動部に巻き込まれる恐れがあります。
- ▶ 吸じんシステムの接続が可能な場合には、これらのシステムが適切に接続、使用されていることを確認してください。吸じんシステムを利用することにより、粉じん公害を防げます。
- ▶ 電動工具の取扱いに熟練している場合にも、正しい安全対策を遵守し、電動工具に関する安全規則を無視しないでください。不注意な取扱いは、ほんの一瞬で重傷事故を招くことがあります。

## 電動工具の使用および取扱い

- ▶ 無理のある使用を避けてください。作業用途に適した電動工具を使用してください。適切な電動工具の使用により、効率よく、スムーズかつ安全な作業が行えます。
- ▶ スwitchが故障している場合には、電動工具を使用しないでください。スイッチで始動および停止操作のできない電動工具は危険です。修理が必要です。
- ▶ 本体の設定やアクセサリーの交換を行う前や本体を保管する前には電源プラグをコンセントから抜き、および / または脱着式のバッテリーを取り外してください。この安全処置により、電動工具の意図しない始動を防止することができます。
- ▶ 電動工具をご使用にならない場合には、子供の手の届かない場所に保管してください。電動工具に関する知識のない方、本説明書をお読みでない方による本体のご使用は避けてください。未経験者による電動工具の使用は危険です。
- ▶ 電動工具とアクセサリーは慎重に手入れしてください。可動部分が引っ掛かりなく正常に作動しているか、電動工具の運転に影響を及ぼす各部分が破損・損傷していないかを確認してください。電動工具をご使用になる前に、損傷部分の修理を依頼してください。事故の多くは保守管理の不十分な電動工具の使用が原因となっています。
- ▶ 先端工具は鋭利で汚れない状態を保ってください。お手入れのゆきとどいた先端工具を使用すると、作業が簡単かつ、スムーズになります。
- ▶ 電動工具、アクセサリー、先端工具などは、それらの説明書に記載されている指示に従って使用してください。その際は、作業環境および用途についてもご注意ください。指定された用途以外に電動工具を使用すると危険な状況をまねく恐れがあります。
- ▶ グリップとグリップ面は乾燥した清潔な状態に保ち、オイルやグリスの付着がないようにしてください。グリップやグリップ面が滑りやすい状態になっていると、予期していない状況が発生した際に電動工具を安全に使用 / 制御できません。

## バッテリー工具の使用および取扱い

- ▶ バッテリーを充電する場合は、必ずメーカー推奨の充電器を使用してください。特定タイプのバッテリー専用の充電器を他のバッテリーに使用すると、火災の恐れがあります。
- ▶ 電動工具には、必ず指定されたバッテリーを使用してください。指定以外のバッテリーを使用すると、負傷や火災の恐れがあります。
- ▶ 使用されていないバッテリーの近くに、事務用クリップ、硬貨、キー、釘、ネジ、その他の小さな金属物を置かないでください。電気接点の短絡が起こることがあります。バッテリーの電気接点間が短絡すると、火傷や火災が発生する危険があります。
- ▶ 正しく使用しないと、液漏れが発生することがあります。その場合、漏れた液には触れないでください。もしも触れてしまった場合は、水で洗い流してください。バッテリー液が眼に入った場合は、水で洗い流してから医師の診察を受けてください。流出したバッテリー液により、皮膚が刺激を受けたり火傷を負う恐れがあります。
- ▶ 損傷したあるいは変更が加えられたバッテリーは使用しないでください。損傷したあるいは変更が加えられたバッテリーは、予測不可能な挙動により爆発あるいは負傷事故を発生させる危険があります。



- ▶ バッテリーは火気あるいは高温に曝さないでください。火気あるいは 130 °C (265 °F) を超える高温は、爆発の原因となることがあります。
- ▶ 充電に関するすべての指示事項に従い、バッテリーあるいはバッテリー工具は、決して取扱説明書に記載された温度範囲外で充電しないでください。正しくない充電あるいは許容温度範囲外での充電により、バッテリーが破壊され火災が発生する危険があります。

#### サービス

- ▶ 電動工具の修理は必ず認定サービスセンターにお申し付けください。また、必ず純正部品を使用してください。これにより電動工具の安全性が確実に維持されます。
- ▶ 損傷したバッテリーは決して手入れや保守を行わないでください。バッテリーの保守作業はすべて、メーカーあるいは権限のあるお客様サービスセンターが行うものとします。

## 2.2 往復運動するソーブレードによる切断に関する安全上の注意

- ▶ 作業の実施に伴い先端工具が隠れている電線に接触する可能性がある場合は、電動工具を絶縁されたグリップ面で保持するようにしてください。通電しているケーブルと接触すると、本体の金属部分にも電圧がかかり、感電の危険があります。
- ▶ 工具はクランプ、あるいはその他の方法で安定した土台に確実に固定してください。作業材料を手あるいは体で保持しようとすると不安定さが残り、コントロールを失う危険があります。

## 2.3 その他の安全上の注意

- ▶ 本製品とアクセサリは、必ず技術的に問題のない状態で使用してください。
- ▶ 本製品あるいはアクセサリには、決して加工や改造を加えないでください。
- ▶ 研磨、紙やすり研磨、切断および穿孔の際に発生する粉じんは、化学物質を含んでいる場合があります。これには、鉛、あるいは鉛ベースの塗料、レンガ、コンクリートおよびその他の壁用資材、自然石およびその他の珪酸塩含有製品、樫、樺などの特定の木材、および化学処理の施された木材、アスベストあるいはアスベストが含まれる母材、などが考えられます。作業対象の資材の危険等級により、作業者および周囲の人員の曝露を確認してください。曝露を安全なレベルに維持するために、粉じん吸引システムの使用、あるいは適切な防じんマスクの着用などの必要な処置を取ってください。曝露の低減のための一般的な処置としては、以下のようなものがあります：
  - ▶ 十分に換気された領域での作業
  - ▶ 粉じんと長時間の接触の回避
  - ▶ 粉じんを顔や体から遠ざける
  - ▶ 保護服を着用し、水と石鹼で曝露領域を洗浄する。
- ▶ 落下する先端工具および / またはアクセサリによる負傷の危険。作業を開始する前に、取り付けたアクセサリが確実に固定されていることを確認してください。
- ▶ 通気溝は常にふさがないようにしてください。通気溝が覆われることによる火傷の危険！
- ▶ 頻繁に休憩を取って、指を動かして血行を良くするように心がけてください。長時間作業の際には、強い振動により指、手あるいは手首の関節の血管あるいは神経系に障害が発生する可能性があります。
- ▶ ベルトフックを本製品に固定しないでください。
- ▶ 製品のランプ(LED)を直接のぞき込んだり、LEDで他の人の顔を照射したりしないでください。眼がくらむ恐れがあります。
- ▶ 本製品の使用中は、作業者および現場で直近に居合わせる人は、アイシールド、ヘルメット、耳栓、保護手袋および防じんマスクを着用しなければなりません。
- ▶ 破片が身体の一部、眼などを傷つけることもあります。個人用保護具と、常にアイシールドおよび保護手袋を着用してください。
- ▶ 先端工具の交換時には保護手袋を着用してください。先端工具に触れると、創傷事故や火傷の原因となることがあります。
- ▶ 切断領域やソーブレード付近に手を出さないでください。サポートが必要な場合は、もう一方の手でモーターハウジングのところで本製品を保持してください。両手でソーを保持すれば、ソーで手を負傷することはありません。
- ▶ 本製品は停止するまで置かないでください。
- ▶ 切れ味の悪くなったソーブレードや損傷したソーブレードは使用しないでください。そのようなソーブレードは、摩擦の増大、噛み込みあるいは反動の原因となります。
- ▶ 作業材料は安定した支持具に固定してください。切断する作業材料を手や足で支えないでください。
- ▶ 本製品の電源は必ず作業場で入れてください。
- ▶ 作業時には必ず本製品を身体から離すように操作してください。
- ▶ 作業材料の下側をつかまなくてください。
- ▶ 特にパイプ直径が大きい場合には、適切な押し付け力と適度な切断速度で作業してください。これにより、本製品の過熱を防止することができます。



- ▶ 常に適切な長さのソーブレードを使用してください。ソーブレードは、ストロークの全行程において作業材料より突出してなければなりません。
- ▶ 未知の母材には決して切断を行わないでください。切断ラインの上面と下面から障害物を取り除いてください。
  - ▶ ソーブレードが切断面に当たった時に、本製品に対して反力が作用することがあります。
- ▶ 腕は、反力を受け止めることのできる位置にしてください。
- ▶ 本製品のプロテクトシューを作業材料に押し当ててください。これにより、最適で安全な作業を保証することができます。
- ▶ ソーブレードは必ず側部をつかみ、決してソーブレードが身体のすぐ前にくることのないようにしてください。反動が生じるとソーが跳ね返ることがあります！
- ▶ ソーブレードが噛んだ場合あるいは作業を中断する場合は、ソーをオフにしてソーブレードが停止するまでソーを動かさないでください。ソーブレードが動いている間は、ソーを作業材料から離したり後方へ引いたりしないでください、そうしないと反動が発生する危険があります。
- ▶ 作業材料に挿入されているソーを再び作動させる場合は、ソーブレードをカットギャップの中央に配置し、歯が作業材料に引っかかっていないかチェックします。
- ▶ 既存の壁やその他の見通しのきかない領域で切断を行う場合は特に注意してください。切断時に、押し込まれたソーブレードが隠れている対象物にブロックされ、跳ね返る可能性があります。
- ▶ 本製品を保管および搬送する際は、スイッチインターロックを作動させてください。
- ▶ ソーブレードの取扱いと保管に関するメーカーの指示に注意してください。
- ▶ 剥がし作業の場合には、作業側と反対の領域を保護してください。
- ▶ 作業を開始する前に、作業領域に埋設された電線、ガス管や水道管がないかを調査してください。電線、ガス管あるいは水道管を損傷すると、本製品外側の金属部分での感電事故、あるいは爆発が発生する可能性があります。
- ▶ パイプを切断する場合には、本製品をパイプより上の位置に保持してください。
  - ▶ 本製品は耐水仕様ではありません。水滴が本製品にかかることと短絡の原因となることがあります。
- ▶ パイプを切断する場合は、パイプ内に水滴が残っていないことを確認してください。必要に応じてパイプを空にしてください。

## 2.4 バッテリーの慎重な取扱いおよび使用

- ▶ **Li-Ion** バッテリーの安全な取扱いと使用のために、以下の安全上の注意を遵守してください。これを守らないと、皮膚の炎症、重篤な腐食負傷、化学火傷、火災および / あるいは爆発の原因となることがあります。
- ▶ バッテリーは、必ず技術的に問題のない状態で使用してください。
- ▶ 損傷を防止して健康にとってきわめて危険なバッテリー液の漏出を防ぐため、バッテリーは慎重に取り扱ってください！
- ▶ バッテリーは決して改造したり手を加えたりしないでください！
- ▶ バッテリーを分解したり、挟んだり、80°C (176°F) 以上に加熱したり、燃やしたりしないでください。
- ▶ ぶつかけたり、あるいはその他の損傷を受けたバッテリーは、使用したり充電したりしないでください。バッテリーは、損傷の痕跡がないか定期的に点検してください。
- ▶ リサイクルあるいは修理されたバッテリーは、決して使用しないでください。
- ▶ バッテリーまたはバッテリー式電動工具は、決して打撃工具として使用しないでください。
- ▶ バッテリーは、決して直射日光、高温、火花の発生、裸身に曝さないでください。これを守らないと、爆発の原因となります。
- ▶ バッテリーの電極に、指、工具、装身具あるいはその他の導電性のある物体で触れないようにしてください。これを守らないと、バッテリーの損傷、物財の損傷および負傷の原因となることがあります。
- ▶ バッテリーを雨、湿気、液体から保護してください。バッテリー内に湿気が入り込むと、短絡、感電、火傷、火災あるいは爆発の原因となります。
- ▶ 必ずご使用のバッテリータイプ用に指定された充電器と電動工具を使用してください。これについては、充電器や電動工具の取扱説明書の記述を確認してください。
- ▶ バッテリーは、爆発の可能性がある場所で使用あるいは保管しないでください。
- ▶ バッテリーが掴むことのできないほどに熱くなっている場合は、故障している可能性があります。バッテリーを、目視確認が可能で可燃物のない場所に、可燃性の資材から十分な距離を設けて置いてください。バッテリーを冷ます。1時間の経過後にも掴むことのできないほどに熱い場合は、そのバッテリーは故障している可能性があります。Hilti サービスセンターにご連絡いただくか、あるいは「Hilti の Li-Ion バッテリーの安全と使用に関する注意事項」をお読みください。

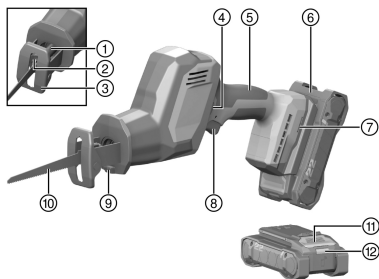


Li-Ion バッテリーの搬送、保管および使用に適用される特別の規則を遵守してください。  
本取扱説明書巻末の QR コードをスキャンして、Hilti の Li-Ion バッテリーの安全と使用についての注意事項をお読みください。



### 3 製品の説明

#### 3.1 製品概要



- ① ソーブレードのロックングスリーブ
- ② ソーブレードのチャック
- ③ プロテクトシュー
- ④ スイッチインターロック
- ⑤ グリップ
- ⑥ バッテリー
- ⑦ アクセサリーの取り付用開口部
- ⑧ 無段変速スイッチ
- ⑨ 作業用照明(LED)
- ⑩ ソーブレード
- ⑪ バッテリーリリースボタン
- ⑫ バッテリーステータス表示

#### 3.2 正しい使用

本書で説明している製品はバッテリー式レシプロソーです。本製品は、木材、木製および金属製作業材料、レンガならびにプラスチックの切断に使用するものです。

本製品は片手操作用として設計されています。

- 本製品には、必ずHilti NuronのB 22シリーズのLi-Ionバッテリーを使用してください。最適な出力を得るため、Hiltiは本製品に対して本取扱説明書の巻末の表に記載されているバッテリーをお勧めします。
- これらのバッテリーには、必ず本取扱説明書の巻末の表に記載されているシリーズのHiltiの充電器を使用してください。

#### 3.3 考えられる誤った使用

- ▶ コンクリート、気泡コンクリート、天然石、タイルを切断しないでください。
- ▶ 本製品を、水滴が残っているパイプの切断に使用しないでください。
- ▶ 未知の母材には切断を行わないでください。

#### 3.4 本体標準セット構成

レシプロソー、取扱説明書。

その他のご使用の製品用に許可されたシステム製品については、弊社営業担当またはHilti Storeにお問い合わせいただくか、あるいは[www.hilti.group](http://www.hilti.group)でご確認ください。

#### 3.5 Li-Ion バッテリーのインジケーター

Hilti Nuron Li-Ion バッテリーは、充電状態、エラーメッセージ、およびバッテリーの状態を表示することができます。

##### 3.5.1 充電状態およびエラーメッセージの表示

###### 警告

**負傷の危険 バッテリーの落下！**

- ▶ バッテリーを装着した状態でリリースボタンを押した後は、バッテリーを確実に正しく使用する製品に再ロックするようにしてください。

次の表示を確認するには、バッテリーのリリースボタンを短く押してください。

充電状態および不具合は、接続されている製品がオンになっている間常時表示されます。

状態	意味
4 個の LED (4) が常時緑色で点灯	充電状態：100 %...71 %
3 個の LED (3) が常時緑色で点灯	充電状態：70 %...51 %
2 個の LED (2) が常時緑色で点灯	充電状態：50 %...26 %
1 個の LED (1) が常時緑色で点灯	充電状態：25 %...10 %



状態	意味
1 個の LED (1) がゆっくり緑色で点滅	充電状態 : < 10 %
1 個の LED (1) が高速で緑色で点滅	Li-Ion バッテリーは完全に放電しています。バッテリーを充電してください。 バッテリーの充電の後にも LED が高速で点滅する場合は、 <b>Hilti</b> サービスセンターにご連絡ください。
1 個の LED (1) が高速で黄色で点滅	Li-Ion バッテリーまたは接続されている製品が過負荷、過熱、低温の状態にあるか、あるいはその他の不具合が発生しています。 製品とバッテリーを推奨動作温度にし、使用時に製品が過負荷にならないようにしてください。 メッセージが引き続き出力される場合は、 <b>Hilti</b> サービスセンターにご連絡ください。
1 個の LED (1) が黄色で点灯	Li-Ion バッテリーとそれと接続されている製品とに互換性がありません。 <b>Hilti</b> サービスセンターにご連絡ください。
1 個の LED (1) が高速で赤色で点滅	Li-Ion バッテリーはロックされていて、使用できません。 <b>Hilti</b> サービスセンターにご連絡ください。

### 3.5.2 バッテリーの状態に関する表示

バッテリーの状態を確認するには、リリースボタンを 3 秒を超えて押し続けてください。システムは、落下、異物の貫入、外部の熱源による損傷などの誤った使用に起因するバッテリーの機能異常については検知しません。

状態	意味
すべての LED がチェイサーライトとして点灯し、続いて 1 個の LED (1) が常時緑色で点灯。	バッテリーは引き続き使用することができます。
すべての LED がチェイサーライトとして点灯し、続いて 1 個の LED (1) が速く黄色で点滅。	バッテリーの状態確認を終了することができませんでした。手順を繰り返すか、 <b>Hilti</b> サービスセンターにご連絡ください。
すべての LED がチェイサーライトとして点灯し、続いて 1 個の LED (1) が常時赤色で点灯。	接続されている製品を引き続き使用できる場合、バッテリーの残り容量は 50% 未満です。 接続されている製品を引き続き使用することができない場合、バッテリーは寿命に達していて交換の必要があります。 <b>Hilti</b> サービスセンターにご連絡ください。

## 4 製品仕様

### 4.1 レシプロソー

	<b>SR 4-22</b>
製品世代	02
定格電圧	21.6 V
EPTA Procedure 01 に準拠した重量(バッテリーなし)	2 kg
ストローク数	0/min ... 3,000/min
ストローク長	23.2 mm
キーレスチャック、標準ブレード用	1/2 in
保管温度	-20 °C ... 70 °C
作動時の周囲温度	-17 °C ... 60 °C

### 4.2 バッテリー

バッテリー作動電圧	21.6 V
バッテリー重量	本取扱説明書の巻末を参照してください



作動時の周囲温度	-17 °C ... 60 °C
保管温度	-20 °C ... 40 °C
充電開始時のバッテリー温度	-10 °C ... 45 °C

### 4.3 騒音および振動値について

本説明書に記載されているサウンドプレッシャー値および振動値は、規格に準拠した測定方法に基づいて測定したものです。電動工具を比較するのにご使用いただけます。曝露値の暫定的な予測にも適しています。記載されているデータは、電動工具の主要な使用方法に対する値です。電動工具を他の用途で使用したり、異なる先端工具を取り付けて使用したり、手入れや保守が十分でないまま使用した場合には、データが異なることがあります。このような相違により、作業時間全体で曝露値が著しく高くなる可能性があります。

曝露値を正確に予測するためには、電動工具のスイッチをオフにしている時間や、電動工具が作動していても実際には使用していない時間も考慮しなければなりません。このような相違により、作業時間全体で曝露値が著しく低くなる可能性があります。

作業者を騒音および / または振動による作用から保護するために、他にも安全対策を立ててください(例 : 電動工具および先端工具の手入れや保守、手を冷やさないようにする、作業手順の編成)。

この点について適用される EN 62841 規格のバージョンについての詳細情報は、適合宣言書の画像 222 で確認してください。

### 騒音について

	SR 4-22
サウンドパワーレベル ( $L_{WA}$ )	95 dB(A)
サウンドパワーレベルの不確実性 ( $K_{WA}$ )	5 dB(A)
サウンドプレッシャーレベル ( $L_{pA}$ )	87 dB(A)
サウンドプレッシャーレベルの不確実性 ( $K_{pA}$ )	5 dB(A)

### 振動について

排出振動値(クリップボード切断) ( $a_{h,b}$ )	B 22-55	12.8 m/s <sup>2</sup>
	B 22-85	11.1 m/s <sup>2</sup>
排出振動値(角材切断) ( $a_{h,wb}$ )	B 22-55	11.5 m/s <sup>2</sup>
	B 22-85	12.2 m/s <sup>2</sup>
不確実性 (K)		1.5 m/s <sup>2</sup>

## 5 ご使用方法

### 5.1 バッテリーを充電する

1. 充電の前に充電器の取扱説明書をお読みください。
2. バッテリーと充電器の電気接点は汚れがなく、乾燥していることを確認してください。
3. バッテリーは許可された充電器で充電してください。 178

### 5.2 バッテリーを装着する

#### 警告

負傷の危険 短絡あるいはバッテリーの落下！

- ▶ バッテリーを装着する前に、バッテリーの電気接点と製品の電気接点に異物がないことを確認してください。
- ▶ バッテリーが正しくロックされていることを常に確認してください。

1. はじめてお使いになる前にバッテリーをフル充電してください。
2. ロックの音が聞こえるまでバッテリーを製品へとスライドさせます。
3. バッテリーがしっかりと装着されていることを確認してください。

### 5.3 バッテリーを取り外す

1. バッテリーのリリースボタンを押します。
2. 製品からバッテリーを抜き取ります。





## 5.4 転倒防止装置

### 警告

**負傷の危険** 先端工具および / あるいはアクセサリーの落下!

- ▶ 必ずご使用の製品用に推奨されているHiltiの工具保持ローブを使用してください。
- ▶ 使用の前に毎回、工具保持ローブの固定ポイントに損傷がないか点検してください。



ご使用の国において適用される高所での作業に関する規則に注意してください。

本製品の落下防止には、必ずHiltiの落下暴発防止装置#2293133 およびHiltiの工具保持ローブ#2261970を組み合わせて使用してください。

- ▶ 落下暴発防止装置をアクセサリー用の取り付け開口部に固定してください。しっかりと固定されていることを確認してください。
- ▶ 工具保持ローブのスナップフックを落下暴発防止装置に固定し、第2のスナップフックを支持構造物に固定します。両方のスナップフックがしっかりと固定されていることを確認してください。



Hilti 落下暴発防止装置およびHilti 工具保持ローブの取扱説明書の記載に注意してください。

## 5.5 ソーブレードを装着する



必ず 1/2" コネクションエンドのソーブレードを使用してください。

1. 先端工具のコネクションエンドが汚れていないか、グリスが薄く塗布されているか確認します。必要であれば、コネクションエンドの汚れを取り除き、グリスを薄く塗ってください。
2. ブレードクランプのロックングスリーブを反時計方向に回し、ロックングスリーブを押した状態で保持します。
3. ソーブレードを前からブレードクランプに押し込みます。
4. ロックングスリーブを元に戻してカチッと噛み合わせます。
5. ソーブレードを引っ張り、きちんと噛み合っていることを確認します。

## 5.6 ソーブレードを取り外す

### 注意

**負傷の危険!** 先端工具は熱くなっていること、および / またはエッジが鋭くなっていることがあります。

- ▶ 先端工具を交換する際には保護手袋を着用してください。
- ▶ 熱くなっている先端工具は可燃物の上に置かないでください。

1. チャックのロックングスリーブを反時計方向に回し、ロックングスリーブを押した状態で保持します。
2. ソーブレードをチャックから前方に引き出します。
3. ロックングスリーブを元に戻します。

## 6 ご使用方法

本書および製品に記載されている安全上の注意と警告表示に注意してください。

### 6.1 切断

#### 警告

**惰性回転しているソーによる負傷の危険!**

- ▶ 本製品は、必ず完全に停止してから作業材料から放してください。
- ▶ 本製品は完全に停止するまで置かないでください。

1. スイッチインターロックを非作動にして、コントロールスイッチを押します。
2. 切断作業を終了する場合は、コントロールスイッチから指を放します。
3. スイッチインターロックを作動させます。



## 7 手入れと保守

### 警告

バッテリーを装着した状態における負傷の危険！

- ▶ 手入れや保守作業の前に必ずバッテリーを取り外してください！

#### 製品の手入れ

- 付着した汚れを慎重に除去してください。
- 汚れが付着している場合は、通気溝を乾いた柔らかいブラシを使用して慎重に掃除してください。
- 必ず少し湿した布でハウジングを拭いてください。シリコンを含んだ磨き粉はプラスチック部品をいためる可能性があるため使用しないでください。
- チャックの外側を定期的に清掃して潤滑してください。これには、Hilti 314648 スプレーを使用してください。
- 本製品の電気接点を清掃するには、清潔な乾いた布を使用してください。

#### Li-Ion バッテリーの手入れ

- 通気溝が詰まっているバッテリーは決して使用しないでください。通気溝を乾いた柔らかいブラシを使用して慎重に掃除してください。
- バッテリーを不必要に粉じんや汚れに曝さないようにしてください。バッテリーは、決して高い湿度に曝さないでください(例：水中に沈める、あるいは雨中に放置する)。  
水分が浸入したバッテリーは、損傷したもものとして取り扱ってください。そのようなバッテリーは不燃性の容器に隔離し、Hilti サービスセンターにご連絡ください。
- バッテリーには、本製品に使用しているのではないオイルやグリスが付着しないようにしてください。バッテリーに不必要な粉じんあるいは汚れが堆積しないようにしてください。バッテリーは、乾いた柔らかいブラシまたは乾いた布で清掃してください。シリコンを含んだ磨き粉はプラスチック部品をいためる可能性があるため使用しないでください。  
バッテリーの電気接点に手を触れないでください、また、工場出荷時に塗布されているグリスを電気接点からぬぐい取らないでください。
- 必ず少し湿した布でハウジングを拭いてください。シリコンを含んだ磨き粉はプラスチック部品をいためる可能性があるため使用しないでください。

#### 保守

- 目視確認可能なすべての部品については損傷の有無を、操作エレメントについては問題なく機能することを定期的に点検してください。
- 損傷および / または機能に問題のある場合は、本製品を使用しないでください。速やかにHilti サービスセンターに本製品の修理を依頼してください。
- 手入れおよび保守作業の後は、すべての安全機構を取り付けて、それらが問題なく作動するか点検してください。



安全な作動のために、必ず純正のスペアパーツと消耗品を使用してください。本製品向けにHilti が承認したスペアパーツ、消耗品およびアクセサリは、弊社営業担当またはHilti Store お問い合わせいただくか、あるいは[www.hilti.group](http://www.hilti.group)

## 8 搬送および保管

#### バッテリー工具およびバッテリーの搬送

### 注意

搬送時の予期しない始動！

- ▶ お使いの製品は、必ずバッテリーを装着していない状態で搬送してください！
- ▶ バッテリーを取り外してください。
- ▶ バッテリーは決して梱包しない状態で搬送しないでください。搬送中のバッテリーは、他のバッテリー電極と接触して短絡の原因となることを防ぐために、過大な衝撃や振動から保護し、あらゆる導電性の物体あるいは他のバッテリーから隔離する必要があります。バッテリーの搬送に関する各国(地域)の規則を遵守してください。
- ▶ バッテリーは郵送しないでください。損傷していないバッテリーを送付する場合は、運送業者を手配してください。
- ▶ 使用の前にその都度、また長距離の搬送の前には、製品とバッテリーに損傷がないか点検してください。



## バッテリー工具およびバッテリーの保管



**警告**

故障したあるいは液漏れしたバッテリーによる予期しない損傷！

- ▶ お使いの製品は、必ずバッテリーを装着していない状態で保管してください！
- ▶ 製品とバッテリーは涼しくて乾燥した場所に保管してください。製品仕様 179 に記載されている温度の限界値に注意してください。
- ▶ バッテリーは充電器内で保管しないでください。充電の後は、必ずバッテリーを充電器から取り出してください。
- ▶ バッテリーを太陽の直射下、熱源の上、窓際等で保管しないでください。
- ▶ 製品およびバッテリーは、子供や権限のない人が手を触れることのないようにして保管してください。
- ▶ 使用前にその都度、また長期にわたる保管の前には、製品とバッテリーに損傷がないか点検してください。

## 9 故障時のヒント

すべての不具合において、バッテリーの充電状態および故障インジケータを確認してください。Li-Ion バッテリーのインジケータの章を参照してください。  
この表に記載されていない、あるいはご自身で解消することのできない故障が発生した場合には、弊社営業担当またはHilti サービスセンターにご連絡ください。

故障	考えられる原因	解決策
バッテリーの消耗が通常よりも早い。	バッテリーの状態が好ましくない。	▶ バッテリーの状態を確認してください。  178
バッテリーが「カチッ」と音がするまでロックされない。	バッテリーのロックノッチが汚れている。	▶ ロックノッチを清掃してバッテリーを改めてロックしてください。
LED 表示がない。	バッテリーが完全に装着されていない。	▶ バッテリーを「カチッ」と音がするまでロックしてください。
	バッテリーの故障。	▶ <b>Hilti</b> サービスセンターにご連絡ください。
ソーブレードをチャックから取り出せない。	ロックレバーがストップ位置まで押されていない。	▶ ロックレバーをストップ位置まで回してソーブレードを取り出してください。
	チャックが切断切屑で塞がっている。	▶ 切断切屑を除去し、チャックの外側を定期的に清掃してください。製品の手入れ。  182
製品がフルパワーにならない。	コントロールスイッチの握り込みが不十分。	▶ コントロールスイッチを一杯に握り込む。
	バッテリーが放電している。	▶ バッテリーを交換し、空のバッテリーを充電する。
ソーブレードをチャックから取り出せない。	ロッキングスリーブがストップ位置まで回されていない。	▶ ロッキングスリーブをストップ位置まで回してソーブレードを取り外す。

## 10 廃棄



**警告**

誤った廃棄による負傷の危険！ 漏出するガスあるいはバッテリー液により健康を損なう危険があります。

- ▶ 損傷したバッテリーを送付しないでください！
- ▶ 短絡を防止するために接続部を非導電性のもので覆ってください。
- ▶ バッテリーは子供が手を触れることのないように廃棄してください。
- ▶ バッテリーの廃棄は、最寄りのHilti Store あるいは適切な廃棄物処理業者に依頼してください。

**Hilti** 製品の大部分の部品はリサイクル可能です。リサイクル前にそれぞれの部品は分別して回収されなければなりません。多くの国で**Hilti** は、古い工具をリサイクルのために回収しています。詳細については弊社営業担当または**Hilti** 代理店・販売店にお尋ねください。



2243482

日本語 183



▶ 電動工具、電子機器およびバッテリーを一般ゴミとして廃棄してはなりません！

## 11 メーカー保証

▶ 保証条件に関するご質問は、最寄りのHilti 代理店・販売店までお問い合わせください。

## 12 その他の情報



ご使用方法、技術、環境保護およびリサイクルに関するその他の情報については、[qr.hilti.com/manual/?id=2243480&id=2243482](http://qr.hilti.com/manual/?id=2243480&id=2243482) のリンクをご確認ください。

このリンクは、本書の巻末にも QR コードとして記載されています。

# 오리지널 사용 설명서

## 1 사용 설명서 관련 정보

### 1.1 본 사용 설명서에 관하여

- 경고! 제품을 사용하기 전에, 제품과 함께 제공되는 사용 설명서와 설명서에 제시된 지침, 안전상의 주의사항 및 경고사항, 그림 및 사양 등을 잘 읽고 이해해야 합니다. 특히 모든 지침, 안전상의 주의사항 및 경고사항, 그림, 사양과 구성 요소 및 기능을 숙지해야 합니다. 유의하지 않을 경우, 감전, 화재 발생 및/또는 중상을 입을 위험이 있습니다. 추후 사용 시에도 활용할 수 있도록 관련 지침, 안전상의 주의사항 및 경고사항이 포함된 사용 설명서를 잘 보관하십시오.
- **HILTI** 제품은 전문가용으로 설계되어 있으며, 해당 교육을 이수한 공인된 작업자를 통해서만 조작, 유지보수 및 수리 작업을 진행할 수 있습니다. 이 기술자는 발생할 수 있는 위험에 대해 특별 교육을 받은 상태여야 합니다. 교육을 받지 않은 사람이 제품을 부적절하게 취급하거나 규정에 맞지 않게 사용할 경우에는 기기와 그 보조기구에 의해 부상을 당할 위험이 있습니다.
- 함께 제공되는 사용 설명서는 인쇄 시점의 최신 기술 버전을 반영하여 작성됩니다. 최신 버전은 항상 Hilti 제품 사이트의 온라인 버전을 참조하십시오. 온라인 버전을 참고하고자 할 경우, 본 사용 설명서에 제시된 링크 혹은 기호로 표시된 QR 코드를 클릭하십시오.
- 제품을 다른 사람에게 양도할 때는 본 사용 설명서도 반드시 함께 남겨주십시오.

수입업체(상호)명: 힐티코리아㈜

A/S: 080-220-2000

### 1.2 기호 설명

#### 1.2.1 경고사항

본 제품을 다루면서 발생할 수 있는 위험에 대한 경고사항. 다음과 같은 시그널 워드가 사용됩니다.

#### 위험

위험!

▶ 이 기호는 직접적인 위험을 표시합니다. 만약 지키지 않으면 심각한 부상을 당하거나 사망할 수도 있습니다.



### 경고

경고!

- ▶ 이 기호는 잠재적인 위험을 표시합니다. 만약 지키지 않으면 심각한 부상을 당하거나 사망할 수도 있습니다.

### 주의

주의!

- ▶ 이 기호는 잠재적인 위험 상황을 표시합니다. 만약 지키지 않으면 부상 또는 물적 손실을 입을 수 있습니다.

#### 1.2.2 사용 설명서에 사용된 기호

본 사용 설명서에서 사용되는 기호는 다음과 같습니다.

	사용 설명서에 유의하십시오
	적용 지침 및 기타 유용한 사용정보
	재사용이 가능한 자재 취급방법
	전기 기기 및 배터리를 일반 가정의 쓰레기처럼 폐기해서는 안 됨
	Hilti 리튬 이온 배터리
	Hilti 충전기

#### 1.2.3 그림에 사용된 기호

그림에 다음과 같은 기호가 사용됩니다.

	이 숫자는 본 사용 설명서 첫 부분에 있는 해당 그림을 나타냅니다.
	매겨진 숫자는 작업 단계의 순서를 나타내며, 텍스트에 매겨진 작업 단계와 차이가 있을 수 있습니다.
	항목 번호는 개요 그림에서 사용되며, 제품 개요 단락에 나와 있는 기호 설명 번호를 나타냅니다.
	이 표시는 제품을 다룰 때, 특별히 주의할 사항을 나타냅니다.

### 1.3 제품 관련 기호

#### 1.3.1 제품에 사용된 기호

제품에 사용되는 기호는 다음과 같습니다.

	분당 스트로크
	공회전 스트로크
	직류
	본 제품은 iOS 및 Android 플랫폼과 호환 가능한 NFC 기술을 지원합니다.
	리튬이온 배터리
	배터리는 절대 타격 공구로 사용해서는 안 됩니다.
	배터리를 떨어뜨리지 마십시오. 타격을 받은 적이 있거나 다른 손상이 있는 배터리는 사용하지 마십시오.



**2.1 전동 공구에 대한 일반적인 안전상의 주의사항**

**⚠ 경고** 해당 전동 공구와 함께 동봉된 모든 안전상의 주의 사항, 지침, 그림 및 기술자료를 숙지하십시오. 다음과 같은 지침 내용을 준수하지 않으면 전기 충격, 화재가 발생하거나 그리고/또는 중상을 입을 수 있습니다. 앞으로 모든 안전상의 주의사항과 지침을 보관하십시오.

안전상의 주의사항에서 사용되는 "전동 공구"라는 개념은 전원에 연결하여 사용하는 전동 공구(전원 케이블 있음) 또는 배터리를 사용하는 전동 공구(전원 케이블 없음)를 의미합니다.

**작업장 안전수칙**

- ▶ 작업장을 항상 깨끗이 하고 조명이 잘 들도록 하십시오. 어수선한 작업환경 또는 어두운 작업장은 사고를 초래할 수 있습니다.
- ▶ 인화성 액체, 가스 또는 먼지가 있어 폭발 위험이 있는 환경에서는 전동 공구를 사용하지 마십시오. 전동 공구는 먼지나 증기를 접화시킬 수 있는 스파크를 일으킵니다.
- ▶ 전동 공구를 사용할 때, 어린이들이나 다른 사람들이 작업장에 접근하지 못하도록 하십시오. 다른 사람의 방해로 인해 기기를 통제하기 어렵습니다.

**전기에 관한 안전수칙**

- ▶ 전동 공구의 전원 플러그가 소켓에 잘 끼워져야 합니다. 플러그를 절대 변형시켜서는 안됩니다. 접지된 전동 공구와 함께 아답타 플러그를 사용하지 마십시오. 변형되지 않은 플러그와 적합한 소켓을 사용하면 감전의 위험을 줄일 수 있습니다.
- ▶ 파이프, 히터, 전기레인지, 냉장고와 같은 접지 표면에 신체 접촉을 피하십시오. 신체에 닿을 경우 감전될 위험이 높습니다.
- ▶ 전동 공구가 비에 맞지 않도록 하고 습한 장소에 두지 마십시오. 전동 공구에 물이 들어가면 감전될 위험이 높습니다.
- ▶ 전원 케이블만 잡고 전동 공구를 운반하거나 걸어 놓아서는 안되며, 소켓에서 전원 플러그를 빼낼 때 케이블만 잡은 채로 빼내지 마십시오. 전원 케이블이 열, 오일, 날카로운 모서리 또는 부품의 가동 부위에 접촉하지 않도록 주의하십시오. 손상되거나 서로 꼬인 전원 케이블은 감전 위험을 높입니다.
- ▶ 실외에서 전동 공구를 이용하여 작업할 때, 실외용으로 승인된 연장 케이블만 사용하십시오. 실외용 연장 케이블을 사용하면 감전의 위험을 줄여줍니다.
- ▶ 전동 공구를 습한 환경에서 사용하는 것을 피할 수 없을 경우, 누전 차단기를 사용하십시오. 누전 차단기를 사용하면 감전 위험을 줄일 수 있습니다.

**사용자 안전수칙**

- ▶ 신중하게 작업하십시오. 작업에 정신을 집중하고 전동 공구를 사용할 때 경솔하게 행동하지 마십시오. 피곤하거나 항정신성 약물, 술 또는 약물 복용시에는 전동 공구를 사용하지 마십시오. 전동 공구 사용 시에 유의하지 않을 경우 심각한 부상을 초래할 수 있습니다.
- ▶ 안전 장비를 갖추고 보안을 착용하십시오. 전동 공구의 종류와 사용에 따라, 먼지 보호 마스크, 미끄럼 방지용 안전 신발, 안전모 또는 귀마개 등과 같은 안전한 보호장비를 착용하면 부상의 위험을 줄일 수 있습니다.
- ▶ 실수로 기기가 작동하지 않도록 주의하십시오. 전동 공구를 전원 그리고/또는 배터리에 연결하기 전, 보관 또는 운반 전에 전동 공구가 스위치 OFF 상태인지 확인하십시오. 전동 공구 운반 시 스위치에 손가락을 대거나 스위치가 켜진 상태에서 전원을 연결하면 사고를 유발할 수 있습니다.
- ▶ 전동 공구의 스위치를 켜기 전, 조정공구 또는 렌치를 제거하십시오. 기기 회전부에 남아있는 공구나 렌치로 인해 부상을 입을 수 있습니다.
- ▶ 작업 시 비정상적인 자세는 피하십시오. 안전한 작업자세가 되도록 하고, 항상 균형을 유지하십시오. 이렇게 하여 예기치 않은 상황에서도 전동 공구를 잘 제어할 수 있습니다.
- ▶ 적합한 작업복을 착용하십시오. 헐렁한 복장이나 장식품을 착용하지 마십시오. 작동하는 기기 가동 부위에 머리, 옷 그리고 장갑이 가까워 닿지 않도록 주의하십시오. 헐렁한 복장, 장식품 혹은 긴 머리가 가동 부위에 말려 들어갈 수 있습니다.
- ▶ 먼지 제거장치나 수거장치를 설치할 수 있는 기기의 경우, 이 장치들이 연결되어 있는지 그리고 제대로 작동되는지를 확인하십시오. 먼지 포집장치 사용은 먼지로 인한 위험을 줄여줄 수 있습니다.
- ▶ 이 전동 공구를 여러번 사용해왔다고 해서 안전하다고 안심하지 말고 전동 공구에 해당하는 안전 규칙을 무시하지 마십시오. 부주의하게 행할 경우 아주 짧은 순간에 중상을 입을 수 있습니다.

**전동 공구의 취급과 사용**

- ▶ 기기에 과부하가 걸리지 않도록 하십시오. 귀하의 작업에 적합한 전동 공구를 사용하십시오. 적합한 전동 공구를 사용하면, 지정된 성능 한도 내에서 더 효율적으로 안전하게 작업할 수 있습니다.
- ▶ 스위치가 고장난 전동 공구는 사용하지 마십시오. 스위치가 작동되지 않는 전동 공구는 위험하므로, 반드시 수리를 해야 합니다.
- ▶ 기기 세팅을 실행, 액세서리를 교환 또는 기기를 보관하기 전에 컨택터를 전원소켓에서 그리고/또는 탈착식 배터리를 기기에서 빼놓으십시오. 이러한 조치는 실수로 전동 공구가 작동하지 않도록 방지합니다.



- ▶ 사용하지 않는 전동 공구는 어린이들의 손이 닿지 않는 곳에 보관하십시오. 기기 사용에 익숙치 않거나 또는 이 안전수칙을 읽지 않은 사람이 기기를 사용해서는 안 됩니다. 비숙련자가 전동 공구를 사용하면 위험합니다.
- ▶ 전동 공구 및 액세서리를 유의해서 관리하십시오. 기기의 가장 부위가 완벽하게 작동하는지, 끼어 있지 않은지, 혹은 부품이 손상되거나 파손되어 있어 전동 공구의 기능을 저하시키지 않는지 점검하십시오. 기기 사용 전 손상된 부품을 수리하도록 하십시오. 제대로 관리되지 않은 전동 공구는 많은 사고를 유발합니다.
- ▶ 절단기기는 날카롭고 깨끗하게 관리하십시오. 날카로운 절단면이 있고 잘 관리된 절단기기는 끼이는 경우가 드물고 조절하기도 쉽습니다.
- ▶ 본 지침에 따라 전동 공구, 액세서리, 공구 비트 등을 사용하십시오. 이 때 작업 조건과 실시하려는 작업 내용을 고려하십시오. 원래 사용 분야가 아닌 다른 작업에 전동 공구를 사용할 경우, 위험한 상황을 초래할 수 있습니다.
- ▶ 손잡이 및 손잡이 표면은 건조하고 깨끗하게, 그리고 오일과 그리스가 묻어있지 않도록 해야 합니다. 미끄러운 손잡이 및 손잡이 표면은 예상치 못한 상황에서 전동 공구를 안전하게 조작하고 제어할 수 없습니다.

#### 배터리 공구의 취급과 사용

- ▶ 제조회사가 권장한 충전기에만 배터리를 충전시키십시오. 특정한 형식의 배터리를 사용하도록 규정되어 있는 충전기에 다른 배터리를 사용할 경우 화재 발생의 위험이 있습니다.
- ▶ 전동 공구에 적합하게 규정된 배터리만 사용하십시오. 다른 배터리를 사용하면 부상을 입을 수 있고, 화재가 발생할 수 있습니다.
- ▶ 배터리를 사용하지 않을 경우 클립, 동전, 키, 못, 나사 또는 다른 소형 금속 물질로부터 사용하지 않는 배터리를 멀리 떨어뜨려 놓아주십시오. 배터리 간 단락으로 인한 연소 또는 화재를 초래할 수 있습니다.
- ▶ 잘못 사용할 경우, 배터리로부터 전해액이 흘러나올 수 있습니다. 전해액을 직접 만지지 마십시오. 실수로 만졌을 경우, 물로 씻으십시오. 전해액이 눈에 들어갔으면, 의사와 상담하십시오. 배터리로부터 흘러나온 전해액은 피부를 손상시킬 수 있으며, 화재를 발생시킬 수 있습니다.
- ▶ 손상된 배터리 또는 변경된 배터리를 사용하지 마십시오. 손상된 배터리 또는 변경된 배터리는 예상치 못한 상황 및 화재, 폭발 또는 부상 위험을 초래할 수 있습니다.
- ▶ 배터리에서 불꽃이 발생하거나 또는 배터리가 너무 높은 온도에 노출되지 않게 하십시오. 불꽃 또는 온도가 130 °C (265 °F)를 넘으면 폭발을 일으킬 수 있습니다.
- ▶ 충전에 관한 모든 지침을 준수하여 배터리 또는 배터리 공구를 절대 사용 설명서에 제시된 범위를 벗어난 온도에서 충전하지 마십시오. 잘못 충전하거나 허용된 범위를 벗어난 온도에서 충전하면 배터리가 파손되어 화재 발생 위험이 높아질 수 있습니다.

#### 서비스

- ▶ 전동 공구는 반드시 자격을 갖춘 전문 기술자에 의해 그리고 순정 대체부품만 이용하여 수리해야 합니다. 이렇게 하여 기기의 안전성을 계속해서 유지할 수 있습니다.
- ▶ 손상된 배터리를 절대 수리하지 마십시오. 배터리 수리는 제조회사 또는 권한을 위임받은 고객 서비스센터에서만 이루어져야 합니다.

### 2.2 톱날을 양쪽으로 움직이는 절단 작업 관련 안전 지침

- ▶ 숨겨진 전선에 공구 비트가 접촉할 수 있는 작업을 실행할 경우, 항상 기기의 절연된 손잡이 부분을 잡으십시오. 전류가 흐르는 전선과 접촉하면 전동공구의 금속 부위를 통해 감전이 될 수도 있습니다.
- ▶ 클램프를 이용하거나 또는 다른 방식으로 견고한 받침대에 고정시키십시오. 손이나 신체로 공작물을 지지하는 것은 불안정하고 제어하기 어려울 수 있습니다.

### 2.3 그 외의 안전상의 주의사항

- ▶ 기술적 하자가 없는 상태에서만 제품 및 액세서리를 사용하십시오.
- ▶ 어떠한 경우에도 제품 또는 액세서리를 변경하거나 개조하지 마십시오.
- ▶ 샌딩, 연마, 절단 및 드릴링 작업 시 발생하는 먼지에는 위험한 화학물질이 함유되어 있을 수 있습니다. 예를 들어 납 또는 납 계열의 페인트, 벽돌, 콘크리트 및 기타 조적 벽돌 제품, 자연석 및 기타 실리콘 함유 제품, 참나무, 너도밤나무 및 화학 처리된 목재 등과 같은 특정 목재, 석면 또는 석면이 함유된 자재 등이 있을 수 있습니다. 작업하는 자재의 위험 등급을 따라 조작자 및 주변에 있는 사람들의 노출 정도를 결정하십시오. 안전한 수준에서 노출이 이루어질 수 있도록 예를 들어 먼지 포집장치 사용 또는 적절한 보호 마스크 착용 등 필요한 조치를 취하십시오. 노출을 줄일 수 있는 일반적인 조치:
  - ▶ 환기가 잘 되는 곳에서 작업하기,
  - ▶ 장시간 먼지 접촉 피하기,
  - ▶ 얼굴 및 신체의 먼지를 다른 곳으로 털어내기,
  - ▶ 보호 복장 착용 및 노출된 영역을 비누와 물로 세척하기.



- ▶ 떨어지는 공구 및/또는 액세서리로 인한 부상 위험. 작업 시작 전, 조립된 액세서리가 확실하게 고정되었는지 점검하십시오.
- ▶ 환기 슬롯은 항상 가려져 있지 않게 하십시오. 숨겨진 환기 슬롯으로 인한 화재 위험!
- ▶ 손가락의 혈액순환이 잘 되도록 자주 휴식시간을 갖고, 휴식하는 동안 손가락 운동을 하십시오. 장시간 작업하면 강한 진동으로 인해 혈관 장애 또는 손가락, 손 및 손목의 신경 체계에 이상이 있을 수 있습니다.
- ▶ 제품에 어떠한 벨트 후크도 고정시키지 마십시오.
- ▶ 제품의 LED 조명을 직접 응시하거나 다른 사람의 얼굴을 비추지 마십시오. 실명 위험이 있습니다.
- ▶ 사용자 및 그 주변에 있는 사람들은 제품을 사용하는 동안, 반드시 보안경, 안전모, 귀마개, 보호장갑 그리고 보호 마스크를 착용해야 합니다.
- ▶ 재료의 파편으로 인해 눈 등 신체에 부상을 입을 수 있습니다. 안전 장비를 갖추고 항상 보안경과 보호장갑을 착용하십시오.
- ▶ 공구 교체 시 보호장갑을 착용하십시오. 공구 비트에 닿으면 부상을 입거나 화상을 당할 수 있습니다.
- ▶ 절단 부위와 톱날 근처에 손을 대지 마십시오. 지지가 필요한 경우에는 다른 손으로 제품의 모터 하우징 부위를 꼭 잡으십시오. 양쪽 손으로 톱을 잡으면, 톱질 작업으로 인한 손 부상을 막을 수 있습니다.
- ▶ 제품을 내려놓기 전에 제품이 완전히 정지할 때까지 기다리십시오.
- ▶ 무디거나 손상된 톱날을 사용하지 마십시오. 이러한 톱날은 마찰력을 높이고, 톱날이 끼이거나 반동이 생기게 합니다.
- ▶ 공작물을 견고한 마운트에 안전하게 고정하십시오. 절단하려는 공작물을 손에 들고 있거나 다리 위에 고정하지 마십시오.
- ▶ 제품이 작업 위치에 놓인 후에 전원을 켜십시오.
- ▶ 작업 중 제품을 항상 몸에서 떨어뜨리십시오.
- ▶ 공작물 아래쪽을 잡지 마십시오.
- ▶ 특히 치수가 큰 파이프 절단 작업 시, 적절한 압착력과 적합한 절단 속도로 작업하십시오. 이는 제품의 과열을 방지합니다.
- ▶ 항상 길이가 적당히 긴 톱날을 사용하십시오. 한 행정의 동작이 진행될 때 톱날이 공작물보다 길어야 합니다.
- ▶ 알려지지 않은 모재를 절단하지 말고, 절단 경로 위/아래에 장애물이 있지 않도록 하십시오
  - ▶ 톱날이 장애물에 부딪히게 될 경우 제품에 반동이 일어날 수 있습니다.
- ▶ 팔을 기기의 반동력을 억제할 수 있는 위치에 놓으십시오.
- ▶ 가공할 공작물에 압착 슈를 이용하여 본 제품을 압착해야 합니다. 이는 이상적이고 안전한 작업을 보장합니다.
- ▶ 항상 톱날 옆으로 서서 작업하고 절대로 몸과 일직선이 되게 하지 마십시오. 반동이 생길 경우, 톱이 뒤로 튕길 수 있습니다!
- ▶ 톱날이 끼었거나 또는 작업을 중단하려면, 톱의 전원을 끄고 톱날이 정지될 때까지 가만히 있으십시오. 톱날이 움직이고 있을 때 톱을 공작물에서 빼내거나 뒤로 당기려고 하지 마십시오. 반동력이 발생할 수 있습니다.
- ▶ 공작물에 끼어 있는 톱을 재시동하려면 톱날을 절단면 가운데에 맞추고 톱니가 공작물에 물려 있지 않은지 확인하십시오.
- ▶ 벽이 있거나 혹은 다른 보이지 않는 영역에서 절단 작업시에는 특히 조심하십시오. 삽입된 톱날은 절단 작업 시 보이지 않는 물체를 차단하거나 반동을 유발할 수 있습니다.
- ▶ 제품 운반 및 보관 시 안전운반장치를 활성화시키십시오.
- ▶ 제조사에서 제공하는 톱날 취급 및 보관 관련 지침에 유의하십시오.
- ▶ 천공 작업 시, 작업할 부분의 반대편을 잘 고정시키십시오.
- ▶ 작업을 시작하기 전에, 작업장에서 가려져 있거나 덮혀 있는 전기 배선, 가스 파이프 그리고 하수도관이 있는지를 점검하십시오. 전기 배선, 가스 파이프 또는 하수도관을 손상시킨 경우, 제품 바깥쪽에 있는 금속 부품에서 감전 또는 폭발을 유발할 수 있습니다.
- ▶ 파이프 절단 시, 제품을 절단해야 할 파이프보다 높게 위치시키도록 하십시오.
  - ▶ 제품은 물 또는 습기에 대한 방수가 되지 않습니다. 흘러 나오는 액체로 인해 제품에 단락이 발생할 수 있습니다.
- ▶ 파이프 절단 시, 파이프에 액체가 채워져 있지 않도록 조심하십시오. 필요 시 이를 비우십시오.

#### 2.4 배터리의 올바른 사용방법과 취급방법

- ▶ 리튬 이온 배터리를 보다 안전하게 취급하고 사용할 수 있도록 다음과 같은 안전상의 주의 사항에 유의하십시오. 유의하지 않을 경우 피부 자극, 심각한 부식성 부상, 화학 화재, 화재 및/또는 폭발을 유발할 수 있습니다.
- ▶ 기술적 하자가 없는 상태에서만 배터리를 사용하십시오.
- ▶ 배터리를 조심히 다루어 손상되지 않고, 건강에 유해한 액체가 흘러나오지 않게 하십시오!
- ▶ 배터리는 어떠한 경우에도 개조 또는 변조해서는 안 됩니다!





- ▶ 배터리를 분해하거나 강한 압력 또는 80 °C (176 °F) 이상의 열을 가하거나 연소시켜서는 안 됩니다.
- ▶ 타격을 받은 적이 있거나 다른 손상이 있는 배터리는 사용 또는 충전하지 마십시오. 손상될 기미가 보이는 지 정기적으로 점검하십시오.
- ▶ 재활용 또는 수리한 배터리는 절대 사용하지 마십시오.
- ▶ 배터리 또는 배터리 구동식 전동 공구를 절대 타격 공구로 사용하지 마십시오.
- ▶ 배터리가 직사광선, 고온, 스파크 또는 불꽃에 절대 노출되지 않도록 하십시오. 이로 인해 폭발이 발생할 수 있습니다.
- ▶ 배터리 전극을 손가락, 공구, 장신구 또는 다른 전도성 물체를 통해 만지지 마십시오. 이는 배터리 손상, 물적 손상 및 부상을 유발할 수 있습니다.
- ▶ 배터리가 비 또는 습기 및 액체에 노출되지 않게 하십시오. 습기가 유입되면 단락, 감전, 화재, 불꽃 및 폭발이 일어날 수 있습니다.
- ▶ 배터리 타입에 해당되는 충전기 및 전동공구만 사용하십시오. 이를 위해 해당 사용 설명서에 적혀 있는 내용을 확인하십시오.
- ▶ 폭발 위험이 있는 환경에서 배터리를 사용하거나 보관하지 마십시오.
- ▶ 배터리를 잡기에 너무 뜨거운 경우에는 고장일 수 있습니다. 배터리를 인화성 물질과 충분한 거리를 둔 상태에서 눈에 잘 띄며 불이 잘 붙지 않는 장소에 두십시오. 배터리를 냉각시키십시오. 한 시간 후에도 계속해서 배터리를 잡기에 너무 뜨거운 경우에는 배터리에 결함이 있을 수 있습니다. Hilti 서비스 센터에 문의하거나 "안전 및 Hilti 리튬 이온 배터리 작업 관련 지침" 문서 내용을 확인하십시오.

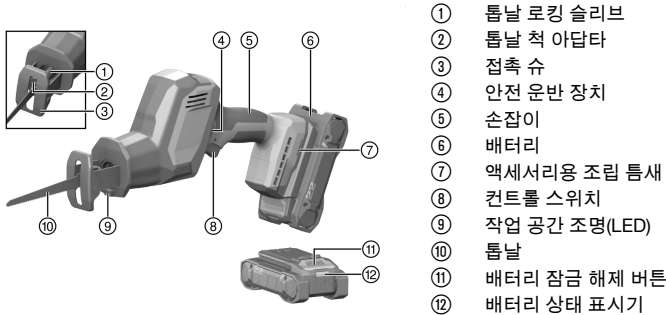


리튬 이온 배터리의 운반, 보관 및 사용 시 적용되는 특수 가이드라인에 유의하십시오.

안전 및 Hilti 리튬 이온 배터리 작업 관련 지침은 본 사용 설명서의 끝부분에 제시된 QR 코드를 통해 확인할 수 있습니다.

### 3 제품 설명

#### 3.1 제품 개요



- ① 톱날 로킹 슬라이브
- ② 톱날 척 아담타
- ③ 접촉 슈
- ④ 안전 운반 장치
- ⑤ 손잡이
- ⑥ 배터리
- ⑦ 액세서리용 조립 틈새
- ⑧ 컨트롤 스위치
- ⑨ 작업 공간 조명(LED)
- ⑩ 톱날
- ⑪ 배터리 잠금 해제 버튼
- ⑫ 배터리 상태 표시기

#### 3.2 규정에 맞는 사용

기술된 제품은 배터리 구동식 컷쏘입니다. 이 톱은 목재, 목재와 유사한 소재 및 금속 소재, 벽돌 및 플라스틱을 절단하는 데 사용됩니다.

본 제품은 한손으로 조작하도록 규정되어 있습니다.

- 본 제품에는 모델시리즈 B 22의 Hilti Nuron 리튬이온 배터리만 사용하십시오. Hilti는 출력을 최적화할 수 있도록 본 제품에 본 사용 설명서의 끝부분 표에 명시된 배터리를 사용할 것을 권장합니다.
- 해당 배터리에는 본 사용 설명서 끝부분 표에 명시된 모델시리즈의 Hilti 충전기만 사용하십시오.

#### 3.3 잘못 사용할 수 있는 경우

- ▶ 콘크리트, 기포콘크리트, 자연석 또는 타일을 절단하지 마십시오.
- ▶ 제품을 액체가 채워져 있는 파이프를 절단하는 데 사용하지 마십시오.
- ▶ 알려지지 않은 모재를 절단하지 마십시오.

#### 3.4 공급품목

다목적 톱, 사용 설명서.



해당 제품에 허용되는 기타 시스템 제품은 **Hilti Store** 또는 다음 사이트에서 확인할 수 있습니다.  
[www.hilti.group](http://www.hilti.group)

### 3.5 리튬이온 배터리 표시

**Hilti Nuron** 리튬 이온 배터리는 충전 상태, 오류 메시지 및 배터리 상태를 표시할 수 있습니다.

#### 3.5.1 충전 상태 및 오류 메시지 표시



#### 경고

부상 위험 떨어지는 배터리로 인한 위험!

- ▶ 배터리가 끼워진 상태에서 잠금해제 버튼을 누른 경우, 배터리가 사용하는 제품에 다시 제대로 고정되었는지 확인하십시오.

다음과 같은 표시를 확인하려면, 배터리 잠금해제 버튼을 짧게 누르십시오.

연결된 제품의 전원이 켜져 있는 동안 충전 상태 및 발생 가능한 기능 장애 내용도 계속 표시됩니다.

상태	의미
4개 LED가 녹색으로 계속 점등됩니다	충전 상태: 100 % ~ 71 %
3개 LED가 녹색으로 계속 점등됩니다	충전 상태: 70 % ~ 51 %
2개 LED가 녹색으로 계속 점등됩니다	충전 상태: 50 % ~ 26 %
1개 LED가 녹색으로 계속 점등됩니다	충전 상태: 25 % ~ 10 %
1개 LED가 녹색으로 느리게 깜박입니다	충전 상태: < 10 %
1개 LED가 녹색으로 빠르게 깜박입니다	리튬이온 배터리가 완전히 방전되었습니다. 배터리를 충전하십시오. 배터리 충전 후에도 계속해서 LED가 빠르게 깜박이면, <b>Hilti</b> 서비스 센터에 문의해 주십시오.
1개 LED가 황색으로 빠르게 깜박입니다	리튬 이온 배터리 또는 배터리와 관련된 제품이 과부하되었거나, 너무 뜨겁거나 차갑거나 또는 다른 오류가 발생했습니다. 제품 및 배터리를 권장하는 작동 온도 상태로 유지하고, 제품을 사용하지 않을 경우 제품에 과부하가 걸리지 않도록 하십시오. 해당 메시지가 계속 존재하는 경우, <b>Hilti</b> 서비스 센터에 문의해 주십시오.
1개 LED가 황색으로 점등됩니다	리튬이온 배터리 및 배터리가 연결된 제품과 호환되지 않습니다. <b>Hilti</b> 서비스 센터에 문의해 주십시오.
1개 LED가 적색으로 빠르게 깜박입니다	리튬이온 배터리 사용이 금지되어 더 이상 사용할 수 없습니다. <b>Hilti</b> 서비스 센터에 문의해 주십시오.

#### 3.5.2 배터리 상태 표시

배터리 상태를 조회하려면, 잠금해제 버튼을 3초 이상 누르고 계십시오. 낙하, 틈새 발생, 외부 요인으로 인한 열 손상 등 잘못된 사용으로 인해 시스템에서 잠재적으로 발생할 수 있는 배터리의 오작동을 감지하지 못합니다.

상태	의미
작동 표시등으로 모든 LED가 점등된 후 1개 LED가 녹색으로 계속 점등됩니다.	배터리를 계속해서 사용할 수 있습니다.
작동 표시등으로 모든 LED가 점등된 후 1개 LED가 황색으로 빠르게 깜박입니다.	배터리 상태 조회를 종료할 수 없습니다. 해당 과정을 반복하거나 <b>Hilti</b> 서비스 센터에 문의해 주십시오.
작동 표시등으로 모든 LED가 점등된 후 1개 LED가 적색으로 계속 점등됩니다.	연결된 제품을 계속해서 사용할 수 없는 경우, 남아 있는 배터리 용량이 50% 미만입니다. 연결된 제품을 계속해서 사용할 수 없는 경우, 배터리의 수명이 다 되어 교체해야 합니다. <b>Hilti</b> 서비스 센터에 문의해 주십시오.



## 4 기술 제원

### 4.1 다목적 톱

	SR 4-22
제품 세대	02
정격 전압	21.6V
EPTA Procedure 01에 따른 종량(배터리 미포함)	2kg
스트로크	0/min ... 3,000/min
왕복 길이	23.2mm
키리스, 표준 톱날용 척 아답타	1/2in
보관 온도	-20 °C ... 70 °C
작동 시 주변 온도	-17 °C ... 60 °C

### 4.2 배터리

배터리 모드 전압	21.6V
배터리 무게	본 사용 설명서의 끝부분 참조
작동 시 주변 온도	-17 °C ... 60 °C
보관 온도	-20 °C ... 40 °C
충전 시작 시 배터리 온도	-10 °C ... 45 °C

### 4.3 소음 정보 및 진동 값

이 지침에 제시된 음압 및 진동수준은 표준화된 측정방법에 따라 측정된 것이며, 전동 공구를 서로 비교하기 위한 용도로 사용할 수 있습니다. 음압 및 진동 수준은 노출 정도를 사전에 예측하는 데에도 유용하게 사용할 수 있도록 설계되어 있습니다.

제시된 데이터는 전동 공구의 주된 용도를 나타냅니다. 그러나 전동 공구를 다른 용도로 사용하거나 다른 공구 비트를 사용할 경우 또는 유지보수를 충분히 하지 않은 상태에서는 데이터에 편차가 있을 수 있습니다. 이러한 경우 전 작업시간에 걸쳐 노출이 현저하게 증가할 수 있습니다.

노출을 정확하게 평가하기 위해서는 전동 공구 작동이 멈춰 있거나 또는 작동 중이지만 실제로는 사용하지 않는 시간도 고려해야 합니다. 이러한 경우 전 작업시간에 걸쳐 노출이 현저하게 감소할 수 있습니다.

사용자를 보호하기 위해 음파 그리고/또는 진동이 작용하기 전에 다음과 같은 추가적인 안전 조치를 취하십시오. 전동 공구와 공구 비트의 유지보수, 손을 따뜻하게 유지, 작업순서 정하기 등.

여기에 적용된 EN 62841 규정의 버전에 관한 세부 정보는 적합성 선언 이미지 222에서 확인할 수 있습니다.

### 소음 정보

	SR 4-22
소음 수준 ( $L_{WA}$ )	95dB(A)
소음 수준 허용공차 ( $K_{WA}$ )	5dB(A)
음압 수준 ( $L_{pA}$ )	87dB(A)
음압 수준 허용공차 ( $K_{pA}$ )	5dB(A)

### 진동 정보

칩보드 절단 시 진동 배출값 ( $a_{h,B}$ )	B 22-55	12.8m/s <sup>2</sup>
	B 22-85	11.1m/s <sup>2</sup>
목재 빔 절단 시 진동 배출값 ( $a_{h,WB}$ )	B 22-55	11.5m/s <sup>2</sup>
	B 22-85	12.2m/s <sup>2</sup>
허용공차 (K)		1.5m/s <sup>2</sup>



## 5 조작

### 5.1 배터리 충전

1. 충전하기 전에 충전기의 사용 설명서를 읽으십시오.
2. 배터리 및 충전기의 접점이 청결하고 건조한 상태인지 확인하십시오.
3. 허용되는 충전기에서 배터리를 충전하십시오. 189

### 5.2 배터리 삽입



#### 경고

부상 위험 부상 위험!

- ▶ 배터리를 끼우기 전에 배터리의 접점 및 제품의 접점에 이물질이 남아 있지 않은지 확인하십시오.
- ▶ 배터리가 제대로 고정되었는지 확인하십시오.

1. 처음으로 사용하기 전, 배터리를 완전히 충전하십시오.
2. 배터리가 제품에 고정되는 소리가 들릴 때까지 미십시오.
3. 배터리가 정확하게 설치되어 있는지 점검하십시오.

### 5.3 배터리 제거

1. 배터리의 잠금 해제 버튼을 누르십시오.
2. 배터리를 제품에서 빼내십시오.

### 5.4 추락 방지장치



#### 경고

부상 위험 떨어지는 공구 및/또는 액세서리에 의한 유발!

- ▶ 해당 제품에 권장하는 Hilti 공구 고정끈만 사용하십시오.
- ▶ 사용하기 전에 항상 공구 고정끈의 고정점에 손상된 곳이 없는지 확인하십시오.



공중 작업에 대한 국가별 규정에 유의하십시오.

해당 제품의 추락 방지장치로는 Hilti 낙하 방지 장치 #2293133 및 Hilti 공구 고정끈 #2261970을 결합한 것만 사용하십시오.

- ▶ 낙하 방지 벨트를 액세서리의 조립 구멍에 고정시키십시오. 확실하게 고정되었는지 점검하십시오.
- ▶ 공구 고정끈의 카라비너 후크 한쪽을 낙하 방지 벨트에 고정하고, 지지하는 구조물에 다른 카라비너 후크를 고정시키십시오. 두 카라비너 후크가 확실하게 고정되었는지 점검하십시오.



Hilti 낙하 방지 벨트 및 Hilti 공구 고정끈의 사용 설명서 내용에 유의하십시오.

### 5.5 톱날 장착



1/2"-연결 끝이 포함된 톱날만 사용하십시오.

1. 공구의 끝이 깨끗한지, 그리고 그리스가 약간 발라져 있는지를 점검하십시오. 필요할 경우 공구의 끝을 청소한 다음 그리스를 바르십시오.
2. 톱날 홀더 로킹 슬리브를 시계 반대 방향으로 돌린 다음, 이를 누르고 있으십시오.
3. 톱날을 앞에서 톱날 클램프까지 누르십시오.
4. 로킹 슬리브가 되돌아 들어가게 하십시오. 끼워지는 소리가 들려야 합니다.
5. 톱날에서 당겨보면서 고정되어 있는지 점검하십시오.



## 5.6 톱날 분리

### ⚠ 주의

부상위험! 공구 비트가 뜨겁거나 그리고/또는 모서리가 날카로울 수 있습니다.

- ▶ 공구 비트 교체 시 보호장갑을 착용하십시오.
- ▶ 절대 뜨거운 공구 비트를 인화성 플레이트에 놓지 마십시오.

1. 톱날 홀더 로킹 슬리브를 시계 반대 방향으로 돌린 다음, 이를 누르고 있으십시오.
2. 톱날을 클램프로부터 앞쪽으로 당기십시오.
3. 로킹 슬리브를 푸십시오.

## 6 조작

본 문서 및 제품에 나와 있는 안전 지침 및 경고 지침에 유의하십시오.

### 6.1 톱질 작업

#### ⚠ 경고

애프터 러닝되는 톱으로 인한 부상 위험!

- ▶ 톱날이 완전히 정지한 상태에서만 제품을 재료에서 들어 올리도록 하십시오.
- ▶ 제품을 내려놓기 전에 제품이 완전히 정지할 때까지 기다리십시오.

1. 안전운반장치를 비활성화시키고, 컨트롤 스위치를 누르십시오.
2. 톱 작업이 종료되면, 컨트롤 스위치에서 손을 떼십시오.
3. 안전운반장치를 활성화시키십시오.

## 7 관리 및 유지보수

### ⚠ 경고

배터리가 끼워진 상태에서 부상 위험!

- ▶ 관리 및 수리 작업을 진행하기 전에 항상 배터리를 제거하십시오!

#### 제품 관리

- 공구에 부착되어 있는 오염물질을 조심스럽게 제거하십시오.
- 오염물질이 있는 경우, 부드러운 마른 솔로 환기 슬롯을 조심스럽게 청소하십시오.
- 약간 물기가 있는 수건으로만 하우징을 청소해 주십시오. 플라스틱 부품을 손상시킬 수 있으므로 절대로 실리콘이 함유된 보호제를 사용하지 마십시오.
- 톱날 홀더 바깥쪽을 정기적으로 닦아주고 윤활제를 발라주십시오. 이를 위해 Hilti 스프레이 314648을 사용하십시오.
- 제품의 접점을 청소하려면 깨끗하고 마른 천을 사용하십시오.

#### 리튬 이온 배터리 관리

- 환기 슬롯이 막힌 상태에서는 절대 배터리를 사용하지 마십시오. 부드러운 마른 솔로 환기 슬롯을 조심스럽게 청소하십시오.
- 배터리가 불필요하게 먼지 또는 오염물에 노출되지 않도록 하십시오. 배터리를 절대 습도가 높은 곳에 두지 마십시오(예: 물 속에 담거나 비내리는 곳에 두는 행위).  
배터리에 물이 들어가면, 손상된 배터리처럼 취급하십시오. 물이 들어간 배터리는 비가연성 용기에서 절연시킨 후, Hilti 서비스 센터에 문의해 주십시오.
- 배터리를 외부 오일 및 그리스가 묻지 않도록 깨끗하게 유지하십시오. 배터리에 불필요하게 먼지 또는 오염물이 쌓이지 않도록 하십시오. 배터리를 부드러운 마른 솔 또는 깨끗하고 마른 걸레로 닦아내십시오. 플라스틱 부품을 손상시킬 수 있으므로 절대로 실리콘이 함유된 보호제를 사용하지 마십시오.  
배터리의 접점에 접촉하지 말고, 접점에서 공구축에 부착된 그리스를 제거하지 마십시오.
- 약간 물기가 있는 수건으로만 하우징을 청소해 주십시오. 플라스틱 부품을 손상시킬 수 있으므로 절대로 실리콘이 함유된 보호제를 사용하지 마십시오.

#### 유지보수

- 눈에 보이는 모든 부품은 정기적으로 손상 여부를 점검하고, 조작용소가 문제 없이 작동하는지 점검하십시오.
- 손상되었거나 기능 장애가 있는 경우에는 제품을 작동하지 마십시오. 즉시 Hilti 서비스 센터에 제품 수리를 의뢰하십시오.



• 관리 및 수리 작업 후 모든 보호장치를 가져와 기능에 이상이 없는지 점검하십시오.

**i** 안전하게 작동하기 위해서는 순정품 예비 부품 및 소모품만 사용하십시오. Hilti에서 승인한 예비 부품, 소모품 및 액세서리는 **Hilti Store** 또는 **www.hilti.group**

## 8 운반 및 보관

### 충전식 공구 및 배터리 운반

#### 주의

운반 시 돌발적으로 작동됨!

- ▶ 제품은 항상 배터리를 장착하지 않은 상태로 운반하십시오!
- ▶ 배터리를 분리하십시오.
- ▶ 배터리를 고정하지 않은 채로 운반해서는 절대 안 됩니다. 운반하는 도중 배터리에 과도한 충격을 받거나 진동이 발생하지 않게 하고 모든 전도성 소재 또는 다른 배터리로부터 분리시켜 다른 배터리 전극에 닿지 않고 단락이 발생하지 않게 하십시오. 배터리와 관련된 현지 운반 규정에 유의하십시오.
- ▶ 배터리는 우편을 통해 전달할 수 없습니다. 손상이 없는 배터리를 전송하고자 하는 경우 배송업체에 문의 하십시오.
- ▶ 제품 및 배터리를 사용하기 전에 그리고 장시간 운반한 후에는 항상 손상 여부를 점검하십시오.

### 충전식 공구 및 배터리 보관

#### 경고

배터리 결함 또는 방전으로 인한 돌발적인 손상!

- ▶ 제품은 항상 배터리를 장착하지 않은 상태로 보관하십시오!
- ▶ 제품 및 배터리를 냉각 및 건조시켜 보관하십시오. 기술 자료 191에 제시된 온도 한계값에 유의하십시오.
- ▶ 배터리를 충전기에 보관하지 마십시오. 충전 후에는 항상 배터리를 충전기에서 분리하십시오.
- ▶ 배터리는 절대 직사광선이 들어오는 곳, 열원 위 또는 유리 뒤쪽에 보관하지 마십시오.
- ▶ 제품 및 배터리는 건조한 상태로 어린이나 외부인의 손이 닿지 않는 곳에 보관하십시오.
- ▶ 제품 및 배터리를 사용하기 전에 그리고 장시간 보관한 후에는 항상 손상 여부를 점검하십시오.

## 9 문제 발생 시 도움말

장애 발생 시 항상 배터리의 충전 상태 및 고장 표시 내용에 유의하십시오. 리튬이온 배터리 표시 단원을 참조 하십시오.

본 도표에 제시되어 있지 않거나 스스로 해결할 수 없는 문제가 발생한 경우 Hilti 서비스 센터에 문의해 주십시오.

장애	예상되는 원인	해결책
배터리가 평소보다 빨리 방전 됨.	배터리 상태가 최적이 아님.	▶ 배터리 상태를 조회해 보십시오.  190
배터리를 밀어 넣을 때 "찰칵"하는 소리가 들리지 않음.	배터리 래치 오염됨.	▶ 배터리 래치를 청소하고 배터리를 다시 끼우십시오.
LED가 아무것도 나타내지 않음.	배터리가 완전하게 삽입되지 않음.	▶ 찰칵하는 소리가 들릴 때까지 배터리를 맞물려 고정시키십시오.
	배터리 불량.	▶ Hilti 서비스 센터에 문의해 주십시오.
튩날 홀더에서 튩날을 제거할 수 없음.	잠금 레버가 스톱 위치까지 눌러지지 않음	▶ 잠금 레버를 스톱 위치까지 누르고 튩날을 돌려 빼내십시오.
	튩날 홀더에 튩 작업 잔여물이 섞임.	▶ 튩 작업 잔여물을 제거한 후, 튩날 홀더 바깥쪽을 정기적으로 닦아 주십시오. 제품 관리.  193
제품이 전출력으로 작동되지 않음.	컨트롤 스위치가 완전히 눌러지지 않음	▶ 컨트롤 스위치를 완전히 끝까지 누르십시오.
	배터리를 방전시키십시오.	▶ 배터리를 교체하고 방전된 배터리를 충전하십시오.



장애	예상되는 원인	해결책
톱날 홀더에서 톱날을 제거할 수 없음.	로킹 슬리브가 스톱위치까지 회전하지 않음.	▶ 로킹 슬리브를 스톱위치까지 돌린 후 톱날을 돌려 빼내십시오.

## 10 폐기

### 경고

부적절한 폐기로 인한 부상 위험! 새어나오는 가스 또는 용액으로 인한 건강상의 위험.

- ▶ 손상된 배터리는 전달하지 마십시오!
- ▶ 비전도성 소재로 연결 단자를 막아 두어 단락이 발생하지 않게 하십시오.
- ▶ 배터리가 어린이의 손에 닿지 않도록 폐기하십시오.
- ▶ **Hilti Store**에서 배터리를 폐기하거나 또는 담당 폐기물 처리 업체에 문의하십시오.

**Hilti** 제품은 대부분 재사용이 가능한 소재로 제작되었습니다. 재활용을 위해 개별 부품을 분리하여 주십시오. **Hilti**는 대부분의 국가에서 재활용을 위해 노후기기를 수거해 갑니다. **Hilti** 고객 서비스 센터 또는 판매 상담자에게 문의하십시오.



- ▶ 전동 공구, 전자식 기기 및 배터리를 일반 가정 쓰레기로 폐기하지 마십시오!

## 11 제조회사 보증

- ▶ 보증 조건에 관한 질문사항은 현지 **Hilti** 파트너사에 문의하십시오.

## 12 기타 정보



작동법, 기술, 환경 및 재활용에 대한 세부 정보는 [qr.hilti.com/manual/?id=2243480&id=2243482](http://qr.hilti.com/manual/?id=2243480&id=2243482)에서 확인할 수 있습니다.

해당 링크는 본 문서 끝에 QR 코드 형식으로도 제시되어 있습니다.

## 原始操作說明

### 1 關於操作說明的資訊

#### 1.1 關於本操作說明

- 注意！在使用本產品之前，請確保您已閱讀並瞭解產品隨附的操作說明書，包括說明、安全性和警示注意事項、圖解和規格。尤其是熟悉所有說明、安全性和警示注意事項、圖解、規格、組件和功能。若未遵守，可能會導致觸電、火災和/或嚴重傷害的風險。妥善保存操作說明書，包括所有說明、安全性和警示注意事項，以備日後使用。
- 產品是針對專業使用者設計，故僅經訓練、認可的人員可操作、維修與維護本產品。必須告知上述人員關於可能遭遇到的特殊危險。若因未經訓練人員操作錯誤或未依照其原本的用途操作，則本產品和它的輔助工具設備有可能會發生危險。
- 隨附的操作說明書符合印刷時的最新技術水準。您隨時可在Hilti產品頁面上尋找最新版本。為此，請點選操作說明書中標示 符號的連結或QR碼。
- 將產品交予他人時，必須連同本操作說明書一併轉交。



2243482

繁體中文

195

僅適用於台灣

進口商: 喜利得股份有限公司

地址: 新北市板橋區

新站路16號24樓22041

電話: 0800-221-036

## 1.2 已使用的符號解釋

### 1.2.1 警告

警告您在操作或使用本產品時可能發生之危險。採用了以下標示文字：



**危險**

危險！

▶ 此標語警示會發生對人造成嚴重傷害甚至致死的危險情形。



**警告**

警告！

▶ 此標語警示會造成嚴重傷害甚至致死危險的潛在威脅。



**注意**

注意！

▶ 請小心會造成人員受傷或對設備及其他財產造成損害的潛在危險情況。

### 1.2.2 操作說明中的符號

本操作說明中採用以下符號：

	請遵照操作說明
	使用操作說明與其他資訊
	處理可回收的材料
	不可將電子設備與電池當作家庭廢棄物處置
	Hilti 鋰電池
	Hilti 充電器

### 1.2.3 圖解中的符號

圖解中採用了以下符號：

	號碼對應操作說明的開始處的圖解。
	編號代表圖解中的操作步驟順序，可能與內文中的步驟有所不同。
	概覽圖解中使用位置編號，方便您對應到產品概覽段落中的圖例編號。
	這些特色是為了讓您在操作本產品時可以注意某些重點。

## 1.3 產品專屬符號

### 1.3.1 產品上的符號

產品上會採用下列符號：

RPM	每分衝程
$n_0$	無負載下的衝程率





	直流電 (DC)
	本產品支援近距離無線通訊 (NFC) 技術，其相容於iOS及Android平台。
Li-Ion	鋰電池
	請勿將電池使用作為敲擊工具。
	避免電池掉落。不得使用遭受衝擊或其他原因遭成損壞的電池。

## 2 安全性

### 2.1 一般電動機具安全警告

**⚠ 警告** 請詳閱本電動機具提供的所有安全警告、指示、圖解和說明。未能遵守以下所有指示可能會造成電擊事故、火災和 / 或嚴重的傷害。

妥善保存所有警示及說明，以供將來參考。

注意事項中的「機具」係指使用電源（有線）或電池（無線）的電動機具。

#### 工作區域安全

- ▶ 請保持工作區的清潔與採光充足。雜亂而昏暗的工作區會導致意外發生。
- ▶ 勿在容易發生爆炸的環境中使用機具，例如有可燃性液體、瓦斯或粉塵存在的環境。機具產生的火花可能會引燃塵埃或煙霧。
- ▶ 操作機具時，請與兒童及旁人保持距離。注意力不集中時容易發生失控的情形。

#### 電力安全

- ▶ 機具插頭與插座須能互相搭配。勿以任何方式改裝插頭。勿將任何變壓器插頭和與地面接觸（接地）的電動機具搭配使用。未經改裝的插頭以及能互相搭配的插座可減少發生電擊的危險。
- ▶ 避免讓身體接觸到如管線、散熱器、爐灶與冰箱等與土地或地表接觸之物品。如果您的身體接觸到地表或地面，將增加電擊的危險。
- ▶ 請勿將機具曝露在下雨或潮濕的環境中。若水氣進入機具中將增加觸電的危險。
- ▶ 勿濫用電纜線。勿以電纜線吊掛、拖拉機具或拔下機具插頭。電纜線應避開熱氣、油、銳利的邊緣或移動性零件。電纜線損壞或纏繞會增加發生電擊事故的危險。
- ▶ 於室外操作機具時，須使用適用於戶外的延長線。使用適合戶外使用的延長線可降低觸電的風險。
- ▶ 如果無法避免在潮濕的地點操作機具，請使用漏電斷路器 (RCD) 保護電源供應器。使用漏電斷路器 (RCD) 可降低電擊的風險。

#### 人員安全

- ▶ 操作機具時，請提高警覺，注意進行中的工作並善用常識。感到疲勞或受到藥物、酒精或治療的影響時勿使用機具。操作機具時稍不留神就可能造成嚴重的人員傷亡。
- ▶ 穿戴個人防護裝備。請隨時穿戴眼罩。適當使用防塵面罩、防滑鞋、安全帽及耳罩等安全防護配備可減少人員的傷害。
- ▶ 避免不經意的啟動。在接上電源或電池組、抬起或攜帶機具之前，務必確認開關處於關閉的位置。攜帶機具時，如果把手指放在開關上，或在開關開啟時，將機具插上插頭容易發生意外。
- ▶ 啟動機具前，應將所有調整鑰匙或扳手移開。將扳手或鑰匙留在機具的旋轉零件中可能會造成人員傷害。
- ▶ 勿將手伸出過遠。隨時站穩並維持平衡。這可讓您在意外情況發生時，對機具有較好的控制。
- ▶ 穿著適當服裝。請勿穿著寬鬆的衣服或佩戴珠寶。頭髮、衣服與手套應遠離移動性零件。移動性零件可能會夾到寬鬆的衣服、珠寶或長髮。
- ▶ 如果機具可連接吸塵裝置與集塵設備，請連接並適當使用這些設備。使用集塵裝置可降低與粉塵有關的危險。
- ▶ 請勿因頻繁而習慣使用機具便疏於遵守或忽略機具的安全規範。草率使用可能在轉眼間便造成嚴重的傷害。

#### 機具使用與保養

- ▶ 不可強制使用機具。依據用途使用正確的機具。根據設計的速率使用機具可更快速安全地完成工作。
- ▶ 若開關無法啟動或關閉電動工具時，請勿使用電動工具。任何無法以開關控制的機具都很危險且需要維修。
- ▶ 在進行任何調整、更換配件、或貯放電動機具前，請先將插頭拔離插座和 / 或將電池組自電動機具卸下（如可拆卸）。此預防安全措施可降低機具意外啟動的風險。



- ▶ 將閒置的機具貯放在兒童拿不到的地方，勿讓不熟悉或未詳閱本說明的人員操作本機具。機具在未經訓練的使用者手中是很危險的。
- ▶ 維護機具與配件。請檢查移動性零件有無偏移或黏合的情形、零件有無破損，以及任何會影響機具運轉的狀況。如果機具受損，請先維修後再使用。很多意外便是由維護不當的機具造成的。
- ▶ 保持切割機具的銳利與清潔。具銳利切割邊緣的切割機具如果得到適當的維護，便較不會發生黏合的現象，且較容易控制。
- ▶ 遵守本指示說明使用機具、配件和工具組等，並考量工作條件與待進行的工作。將機具用在原目的之外之用途可能會造成危險。
- ▶ 保持握把與其表面的乾燥、清潔且不要讓上面出現油漬。握把及其表面濕滑會在意外情況中造成機具無法安全掌控。

### 電池機具的使用與保養

- ▶ 務必使用原廠指定的充電器進行充電。將適合特定類型電池的充電器使用在其他電池時，會有造成火災的危險。
- ▶ 務必使用機具特別指定的電池匣。使用其他的電池匣可能會造成受傷或火災。
- ▶ 電池匣未使用時，請將其遠離如迴紋針、錢幣、鑰匙、針、固定釘或其他會在電池兩極間形成連結的小型金屬物件。在電池兩極間建立短路可能會造成灼傷或火災。
- ▶ 若使用不當，可能會有液體由電池流出；請避免接觸該液體。若不慎接觸，請以清水沖洗。如果不小心讓液體接觸到眼睛，請立即尋求醫療援助。從電池中滲出的液體，可能會導致過敏或灼傷。
- ▶ 請勿使用損壞或改裝過的電池組或機具。受損或改裝過的電池可能會無法正常運作而造成起火、爆炸或受傷的風險。
- ▶ 請勿將電池組或機具暴露在火源或極端的溫度環境中。暴露在火源或溫度超過130° C (265 °F) 的環境下可能會造成爆炸。
- ▶ 請遵守充電操作說明且不要在說明所載的溫度範圍之外為電池組或機具充電。不當充電或在指定溫度範圍外充電均可能造成電池損壞並提高起火的風險。

### 維修服務

- ▶ 請將機具交給合格的維修人員進行維修，並使用相同的替代零件。這可確保維護機具安全。
- ▶ 請勿自行維修損壞的電池。損壞的電池僅可由製造商或授權的維修商進行維修。

## 2.2 採用軍刀鋸片之電鋸的安全說明

- ▶ 在執行配件工具可能會接觸到隱藏線路之工作時，務必以握住絕緣握把的方式手持機具。若與帶電線路接觸，機具的金屬零件也會通電，而造成觸電的情況。
- ▶ 請使用夾子或其他適合之方式將工件確實固定在穩定之表面上。只用手或身體抵住的方式固定工件將造成不穩定，進而失去控制。

## 2.3 其他安全指示

- ▶ 僅在本產品和配件能正常運轉時使用。
- ▶ 勿嘗試以任何方式改裝產品或配件。
- ▶ 研磨、切割和鑽孔時產生的粉塵可能含有危險的化學物質。例如：鉛或以鉛為基底的顏料；磚塊、混凝土和其他建材產品、天然石材和其他含矽酸鹽的產品；橡木、山毛櫸等特定木材以及化學處理的木材；石棉或含有石棉的物質。根據操作員工作時接觸的物質危險等級來決定操作員和其他人員暴露在該環境的程度。採取必要的措施，以將暴露相關條件維持在安全等級上，例如：使用吸塵系統或配戴合適的防護面罩。降低在該環境下的暴露程度的一般措施包括：
  - ▶ 工作區域保持良好通風
  - ▶ 避免長時間接觸粉塵
  - ▶ 清除臉部和身體上的粉塵
  - ▶ 穿著防護衣，用水和肥皂清洗裸露在外的身體部位
- ▶ 掉落的工具和配件有導致受傷的危險。開始作業前，請確認安裝的附件已確實固定。
- ▶ 通風口請務必隨時保持暢通。因通風口被蓋住而有火災之虞！
- ▶ 請經常休息，並活動您的手指以促進血液循環。長時間暴露在劇烈震動下會造成手指、手掌和手腕的血管或神經系統失調。
- ▶ 請勿將皮帶掛鉤固定在產品上。
- ▶ 請勿直視本產品的光源（LED），並且勿將光束瞄準其他人的臉部。如此可預防暈眩或眼睛受傷的危險。
- ▶ 使用本產品時，使用者及附近人員均應穿戴護目鏡、安全帽、耳罩、防護手套及輕型呼吸保護器。
- ▶ 飛散的碎片會傷到人體或眼睛。請穿著防護配備並隨時配戴護目鏡與防護手套。
- ▶ 更換切割碟片時，請穿戴防護手套。觸摸配件工具會造成割傷或灼傷。
- ▶ 請保持雙手遠離切割區和鋸片。握住本產品，需要時可用另一隻手握住馬達機殼。若以雙手握著電鋸，便不會被鋸片割傷。



- ▶ 請等候本產品完全靜止再將其放下。
- ▶ 勿使用已經鈍化或損壞的鋸片。這樣會增加摩擦力並造成的鋸片被夾住或產生反作用力之高度風險。
- ▶ 使用結實的固定座固定工件。請勿將工件物件放在手上或腿上進行切割。
- ▶ 僅在將產品定位於作業位置後，才能啟動電源。
- ▶ 工作時，請讓身體與本產品隨時保持距離。
- ▶ 請勿將手伸到工件底下。
- ▶ 請施加適度壓力並以適當速度切割，尤其是切割口徑較大的管線時。這將有助於避免產品過熱。
- ▶ 請務必使用適當的鋸片長度。鋸片必須能以整個衝程穿過工件。
- ▶ 請勿切割不明的材料，並確保工件上方與下方的切割路徑沒有障礙物。
  - ▶ 若鋸片碰撞到物體時，可能會產生產品彈回的反作用力。
- ▶ 將手臂置於可以吸收反作用力的位置。
- ▶ 本產品應抵住工件直到觸點穩固接觸。如此一來才能確保工作進度最佳化且安全無虞。
- ▶ 身體應位於鋸片的側面，但不可和鋸片呈一直線。發生反作用力時，鋸片可能會向您的身體彈起。
- ▶ 當鋸片發生黏合，或因任何原因需要中斷切割，請關閉電鋸並停在材料上保持不動，直到鋸片完全停止。電鋸正在切割時，切勿將電鋸移開工件或將電鋸往後拉，則可能產生反作用力。
- ▶ 要在工件中重新啟動電鋸時，請將鋸片放置到切口中央，且確認鋸齒沒有卡在材料中。
- ▶ 在牆上或其他盲蔽區域執行切割時，請格外小心。鋸片切入材料時可能會接觸到隱藏的異物，造成反作用力。
- ▶ 貯放或搬運本產品前請先鎖上運送鎖。
- ▶ 請遵守製造商對鋸片的處理和貯放說明。
- ▶ 若作業包含鑿穿工程，請在執行作業時注意另一側的安全。
- ▶ 開始工作前，請先檢查工作區域是否有隱藏的電纜線、瓦斯管或水管。電線、天然氣管線或水管若損壞，本產品外側上的金屬零件可能導致觸電或爆炸。
- ▶ 切割管子時，請將產品持於高於管子處作業。
  - ▶ 產品無法防止濕氣進入。管子流出的液體可能會造成產品短路。
- ▶ 切割管子前，請確認管內已空。如果必要，請先將管子清乾淨。

## 2.4 小心處理和使用電池

- ▶ 請遵守下列安全操作和使用鋰電池的安全注意事項。若未遵守，可能造成皮膚不適、嚴重腐蝕、化學燙傷、起火和/或爆炸。
- ▶ 請使用狀態完好無損的電池。
- ▶ 請小心處理電池，以避免其受損以及防止會嚴重危及健康的液體流出！
- ▶ 電池嚴禁修改或改裝！
- ▶ 請勿拆解、擠壓或焚燒電池，且不可將電池置放在溫度超過80°C (176°F)的環境中。
- ▶ 電池受過衝擊或其他損壞後，請勿使用或充電。請定期檢查電池是否有損壞的跡象。
- ▶ 請勿使用回收或維修過的電池。
- ▶ 請勿將電池或電池供電之機具作為錘子使用。
- ▶ 請勿讓電池暴露在直接日曬、溫度過高、有火花或明火的環境中，否則可能導致爆炸。
- ▶ 請勿用手指、工具、珠寶或其他會導電的物品觸摸電池極柱，否則可能導致電池損壞、財物損失和人員受傷。
- ▶ 電池應避免淋雨、潮濕和水氣。水氣滲入會造成短路、觸電、燙傷、起火和爆炸。
- ▶ 請使用適用於該電池型號的充電器與電動工具。請詳閱並遵守相關操作說明書中的說明。
- ▶ 請勿在易爆炸環境中使用或存放電池。
- ▶ 若電池溫度過高無法觸摸，表示電池可能已經毀損。將電池放在清楚可見且沒有火災危險、遠離易燃材料的位置，讓電池冷卻。若一小時後電池溫度仍然過高無法觸摸，表示電池可能已經毀損。請洽詢Hilti維修中心或詳讀「Hilti鋰電池安全注意事項和使用」文件。



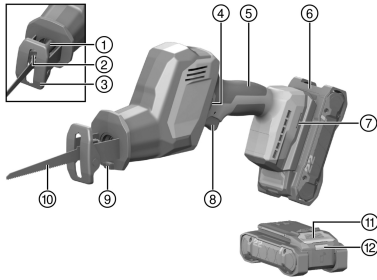
請遵守適用於運輸、存放和使用鋰離子電池的專用指令。

請透過本操作說明書末尾的條碼取得並詳讀Hilti鋰電池安全注意事項和使用。



### 3 說明

#### 3.1 產品總覽



- ① 鋸片的鎖定套筒
- ② 鋸片的鋸片座
- ③ 觸點座
- ④ 安全鎖
- ⑤ 握把
- ⑥ 電池
- ⑦ 配備安裝開孔
- ⑧ 控制開關
- ⑨ 工作區域照明 (LED)
- ⑩ 鋸片
- ⑪ 電池放電鈕
- ⑫ 電池狀態指示燈

#### 3.2 用途

此處所述產品為充電式軍刀鋸。本產品適用於切割木材、仿木材料、金屬、磚塊和塑膠。本產品設計以單手進行操作。

- 本產品限使用B 22Hilti Nuron系列鋰電池。為達最理想的效能，Hilti建議本產品使用本操作說明書末尾表格中所列的電池。
- 僅可使用本操作說明末尾表格中所列的Hilti系列的電池充電器為電池充電。

#### 3.3 可能發生的誤用

- ▶ 勿使用本機具切割水泥、多孔混凝土、天然石塊或瓷磚。
- ▶ 勿使用本產品切割含液體的管子。
- ▶ 勿切割不明的材料。

#### 3.4 配備及數量

軍刀鋸、操作說明。

關於本產品，您可於當地[www.hilti.group](http://www.hilti.group)或網站查詢其他經過認證可搭配使用的系統產品：**Hilti Store**

#### 3.5 鋰電池的顯示幕

Hilti Nuron鋰電池會顯示電池的電力、錯誤訊息和狀態。

##### 3.5.1 電力和錯誤訊息的顯示



**警告**

**有受傷的危險！因電池掉落**

- ▶ 電池已插入時，請在按下拆卸鈕後確保電池重新正確地卡入所使用的產品中。

如欲獲得下列其中一個顯示畫面，請短按電池拆卸鈕。

只要已連接的產品已啟動，也會持續顯示充電狀態和可能的功能故障。

狀態	意義
四個 (4) LED持續亮綠燈	充電狀態：100 %至71 %
三個 (3) LED持續亮綠燈。	充電狀態：70 %至51 %
兩個 (2) LED持續亮綠燈。	充電狀態：50 %至26 %
一個 (1) LED持續亮綠燈。	充電狀態：25 %至10 %
一個 (1) LED緩慢閃綠燈。	充電狀態：< 10 %
一個 (1) LED快速閃綠燈。	鋰電池已完全沒電。裝入電池。 電池充電後若LED仍快速閃爍，請洽詢Hilti維修中心。



狀態	意義
一個 (1) LED快速閃黃燈。	鋰電池或與之連接的產品過載、溫度太高、溫度太低或有其他故障情形。 請讓產品和電池維持在建議的操作溫度，並在使用時不要使產品過載。 若訊息持續存在，請洽詢Hilti維修中心。
一個 (1) LED亮黃燈	鋰電池和與其連接的產品不相容。請聯絡Hilti維修中心。
一個 (1) LED快速閃紅燈	鋰電池已鎖定，無法繼續使用。請聯絡Hilti維修中心。

### 3.5.2 顯示電池狀態

如欲檢查電池狀態，請按住拆卸鈕3秒鐘以上。系統無法偵測到電池因掉落、刺穿、外部熱損傷等錯誤使用造成的潛在功能故障。

狀態	意義
所有LED以跑馬燈形式亮起，然後一個LED持續亮起綠色。	電池仍可繼續使用。
所有LED以跑馬燈形式亮起，然後一個LED快速閃爍黃色。	無法完成有關電池狀態的查詢。請重複上述程序或洽詢Hilti維修中心。
所有LED以跑馬燈形式亮起，然後一個LED持續亮起綠紅色。	若連接之產品仍可繼續使用，剩餘的電池容量會低於50%。 若連接之產品無法使用，表示電池已達最終使用壽命，應進行更換。請聯絡Hilti維修中心。

## 4 技術資料

### 4.1 軍刀鋸

	SR 4-22
產品世代	02
額定電壓	21.6 V
重量依據EPTA Procedure 01不含電池	2 kg
衝程速率	0 rpm ... 3,000 rpm
衝程長度	23.2 mm
標準配件的自動鑽夾頭	1/2 in
貯放溫度	-20 °C ... 70 °C
操作時的環境溫度	-17 °C ... 60 °C

### 4.2 電池

電池操作電壓	21.6 V
電池重量	請參閱本操作說明書結尾處
操作時的環境溫度	-17 °C ... 60 °C
貯放溫度	-20 °C ... 40 °C
電池充電啟動溫度	-10 °C ... 45 °C

### 4.3 噪音資訊及震動值

操作說明中所提供之音壓和震動值已參照標準測量，並可用來比較不同機具之噪音。它們也可作為噪音量的初步評估。

提供之資料表示機具主要應用時之數值。若機具應用於不同之用途，搭配不同的配件工具或在保養不良的情況下，其數據會有所不同。在作業過程中，這會大幅提高其噪音量。

當電子機具關閉，或開啟但未進行任何作業時也應列入考量，才能準確評估噪音量。在作業過程中，這會大幅降低其噪音量。



確認其他安全措施，以保護操作員不受噪音和 / 或震動影響，例如：保養機具與其配件工具、操作前保持雙手溫暖、作業型式之安排等。

關於在本處所使用EN 62841標準版本的詳細資訊，請查閱符合聲明之副本 222。

#### 噪音資訊

	SR 4-22
聲功率級數 ( $L_{WA}$ )	95 dB(A)
無法判定的聲功率級數 ( $K_{WA}$ )	5 dB(A)
音壓級數 ( $L_{pA}$ )	87 dB(A)
無法判定的音壓級數 ( $K_{pA}$ )	5 dB(A)

#### 震動資訊

切割板材的震動噪音值 ( $a_{h, B}$ )	B 22-55	12.8 m/s <sup>2</sup>
	B 22-85	11.1 m/s <sup>2</sup>
切割木樑的震動噪音值 ( $a_{h, WB}$ )	B 22-55	11.5 m/s <sup>2</sup>
	B 22-85	12.2 m/s <sup>2</sup>
無法判定 (K)		1.5 m/s <sup>2</sup>

## 5 操作

### 5.1 為電池充電

1. 電池充電前，請閱讀充電器的操作手冊。
2. 確認電池的接點和充電器的接點清潔且乾燥。
3. 請使用經認可的充電器對電池充電。 200

### 5.2 置入電池

#### 警告

有受傷的危險 因短路或電池掉落！

- ▶ 置入電池前，請確認電池的接點及產品的接點上無任何異物。
- ▶ 確認電池已確實咬合。

1. 初次使用前，請將電池完全充電。
2. 將電池推入產品中，直到聽到卡入聲。
3. 請檢查電池是否安裝牢固。

### 5.3 卸下電池

1. 按下電池拆卸鈕。
2. 將電池從產品卸下。

### 5.4 防墜安全裝置

#### 警告

受傷危險 因工具和/或配件掉落所致！

- ▶ 請您務必使用本公司建議與本產品搭配使用的Hilti工具繫繩吊環。
- ▶ 每次使用前，應要檢查工具繫繩吊環的固定點有無損壞跡象。

請您遵守各國的高處作業規範。

請僅使用Hilti防掉落擊發裝置#2293133和Hilti工具繫繩吊環#2261970的組合，作為本產品的防墜保護。

- ▶ 將防掉落擊發裝置固定在配件的安裝開口內。檢查其是否確實牢固。



- ▶ 將工具繫繩吊環的一個彈簧鈎扣固定在防掉落擊發裝置上，再將另一個彈簧鈎扣固定在具支承功能的結構上。檢查兩個彈簧鈎扣是否確實牢固。



請遵守Hilti防掉落擊發裝置和Hilti工具繫繩吊環的操作說明書。

## 5.5 插入鋸片 2



僅使用具1/2"連接頭的鋸片。

1. 請檢查配件接頭是否保持乾淨並稍微上些潤滑油脂。必要時請清洗並潤滑連接頭。
2. 將鋸片鎖定套筒依逆時針方向旋轉，並固定於這個位置。
3. 將鋸片從前面推到夾頭中。
4. 放鬆鎖定套筒令其回復原來位置，直到聽見咬合時發出的喀啦聲。
5. 夾緊並拉動鋸片，檢查它是否已鎖在固定位置。

## 5.6 移除鋸片 3



**注意**

有受傷的危險！配件可能會非常燙和 / 或有尖銳的邊緣。

- ▶ 請在更換配件工具時戴上防護手套。
  - ▶ 不得將配件工具放置在可燃表面上。
1. 將鋸片鎖定套筒依逆時針方向旋轉，並固定於這個位置。
  2. 將鋸片自夾頭向前拉出。
  3. 放鬆鎖定套筒令其回復原來位置。

## 6 操作

請遵守本文中與產品上的安全說明和警告。

### 6.1 切割



**警告**

因電鋸持續運轉造成受傷的危險！

- ▶ 在機具完全停止前，請勿將產品從工件上舉起。
  - ▶ 請等候產品完全停止再將其放下。
1. 鬆開運送鎖，然後按下控制開關。
  2. 切割完成後請鬆開控制開關。
  3. 將運送鎖上鎖。

## 7 維護和保養



**警告**

電池裝入時有受傷的危險！

- ▶ 進行維護及保養前，請務必卸下電池！

### 產品保養

- 小心地清除頑強的髒污。
- 若有，請使用乾燥的軟刷子小心地清潔通風口。
- 僅可使用微濕的軟布清潔機殼。請勿使用含矽膠的清潔或亮光劑，因為可能會造成塑膠零件損壞。
- 定期從外側清潔並潤滑夾頭。配合使用314648噴霧劑Hilti。
- 請使用乾淨的乾布清潔產品的接點。

### 鋰電池的保養

- 通風口堵塞時請勿使用電池。請使用乾燥的軟刷子小心地清潔通風口。



- 請避免電池暴露在粉塵或髒污的環境之中。請勿讓電池接觸過高的濕氣（例如：浸入水中或淋雨）。電池若濕透，請將該電池視為已受損。請將電池隔絕在不可燃的容器內，並洽詢Hilti維修中心。
- 避免電池沾上外來的油脂。避免讓電池上積聚粉塵或髒污。請使用乾燥的軟刷或乾淨的乾布清潔電池。請勿使用含矽膠的清潔或亮光劑，因為可能會造成塑膠零件損壞。
- 請勿碰觸電池的接點，且不可移除接點上原廠塗上的油脂。
- 僅可使用微濕的軟布清潔機殼。請勿使用含矽膠的清潔或亮光劑，因為可能會造成塑膠零件損壞。

#### 維護

- 定期檢查外部零件和控制元件有無損壞跡象，並確認它們運作正常。
- 如果有損壞跡象及/或任何零件功能故障，請不要操作本產品。請將產品交付Hilti維修中心進行維修。
- 維護及修復作業後，裝上所有保護裝置並檢查功能是否正常。

為確保操作的安全及可靠性，請務必使用原廠Hilti備件與耗材。您可以在Hilti Store或在以下網站選購Hilti認可的備用零件、耗材和配件：[www.hilti.group](http://www.hilti.group)

## 8 搬運和貯放

### 充電式工具和充電電池的運輸

#### 注意

#### 搬運時意外啟動！

- ▶ 搬運產品時務必卸下電池！
- ▶ 取出電池。
- ▶ 切勿散裝運輸電池。運送過程中，應保護電池避免衝擊與震動並與導電物質或其他電池隔離，以免因與電池端子接觸而造成短路。請遵守您所在地當地的電池運輸規範。
- ▶ 請勿以郵寄方式遞送電池。若要運送未損壞之電池，請洽詢運送服務商。
- ▶ 每次使用前以及長途運輸前後請檢查本產品和電池是否受損。

### 充電式工具和充電電池的貯放

#### 警告

#### 瑕疵或漏液的電池所造成的意外損害！

- ▶ 存放產品時，一律不可插入電池！
- ▶ 請將本產品和電池存放在陰涼及乾燥處。請遵守技術資料 201中所規定的溫度極限值。
- ▶ 請勿將電池貯放在充電器中。完成充電程序後，請將電池從充電器取出。
- ▶ 請勿將電池存放在有日光直射處、熱源上或玻璃後方。
- ▶ 請將本產品和電池存放在兒童或未授權人員無法觸及的地點。
- ▶ 每次使用前以及長時間存放前後請檢查本產品和電池是否受損。

## 9 故障排除

發生任何故障時，請您留意電池充電狀態及故障指示燈。請參閱**鋸電池指示器**章節。

若您遇到未列出的問題或是無法自行排除的問題，請聯絡Hilti維修中心。

故障	可能原因	解決方法
電池較一般電池壽命短。	電池電力非處於最佳狀態。	▶ 檢查充電電池的電量。  200
電池咬合時不會發出喀啦聲。	電池上的卡榫太髒。	▶ 清潔卡榫並重新安裝電池。
LED未亮起。	電池沒有完全置入。	▶ 壓下電池直到聽見咬合時發出的喀啦聲。
	電池故障。	▶ 聯絡Hilti維修中心。
鋸片無法自夾頭卸下。	鎖定機桿未推到底。	▶ 將鎖定機桿轉到底，然後卸下鋸片。
	夾頭因切割操作而造成殘留物堵塞。	▶ 定期從外側清潔夾頭因切割操作而造成的殘留物。產品保養。 203
產品無法達到全功率。	未完全按下控制開關。	▶ 將控制開關完全壓下。
	電池已放電。	▶ 更換電池，並對無電量的電池再次充電。





故障	可能原因	解決方法
鋸片無法自夾頭卸下。	鎖定套筒無法完全旋轉。	▶ 將鎖定套筒轉到底，然後移除鋸片。

## 10 廢棄設備處置

### 警告

不當的廢棄物處理可能導致人員受傷！洩漏出來的氣體或液體有害健康。

- ▶ 請勿以郵寄方式寄送電池。
- ▶ 將電池端子蓋上不導電物質（例如絕緣膠帶）以避免短路。
- ▶ 請將電池棄置於兒童無法觸及的地方。
- ▶ 請將該電池送交Hilti Store處理或洽詢權責的廢棄處理公司。

Hilti產品所採用的材料大部分均可回收再利用。材料在回收前必須正確地分類。Hilti在許多國家都有提供老舊機具回收服務。請洽詢Hilti客服中心或您在地經銷商。



- ▶ 不可將電動工具、電動裝置和電池當成一般垃圾丟棄！

## 11 製造商保固

- ▶ 如果您對於保固條件有任何問題，請聯絡當地Hilti代理商。

Hilti Taiwan Co., Ltd.

24F., No. 16, Xinzhan Rd., Banqiao Dist., New Taipei City 220, Taiwan (R.O.C.)

Tel. 0800-221-036

## 12 其他資訊



有關於操作、技術、環境和回收的更多資訊，請參訪以下連結：  
[qr.hilti.com/manual/?id=2243480&id=2243482](http://qr.hilti.com/manual/?id=2243480&id=2243482)

您也可在文件最後找到本連結的QR碼。

## 原版操作說明

### 1 關於本操作說明的信息

#### 1.1 關於本操作說明

- **警告！** 在使用本產品之前，請確保您已閱讀並理解產品隨附的操作說明，包括說明、安全和警告通知、插圖和規格。尤其要熟悉所有說明、安全和警告通知、插圖、規格、組件和功能。否則可能會導致觸電、火災和/或嚴重傷害的風險。保存操作說明，包括所有說明、安全和警告通知，以供以後使用。
- 產品經設計適用於專業用戶，只有經過專門訓練的授權人員才允許操作、維修和維護本產品。必須將任何可能的危險專門告知該人員。不按照說明使用或由未經培訓的人員不正確地使用本產品及其輔助設備可能會帶來危險。



2243482

- 随附的操作说明符合印刷时的最新技术水平。始终在 Hilti 产品页面上在线查找最新版本。为此，请点击这些操作说明中标有 符号的链接或二维码。
- 仅将产品连同本操作说明一起交给他人。

## 1.2 所用标志的说明

### 1.2.1 警告

警告是为了提醒您在使用或处理此产品时会发生的危险。使用以下信号词：



危险！

- ▶ 用于让人们能够注意到会导致严重身体伤害或致命的迫近危险。



警告！

- ▶ 用于提醒人们注意可能导致严重或致命伤害的潜在危险。



小心！

- ▶ 用于提醒人们注意可能造成人身伤害、设备损坏或其他财产损失的潜在危险情况。

### 1.2.2 操作说明中的符号

本操作说明中使用下列符号：



遵守操作说明



使用说明和其他有用信息



处理可回收材料



不得将电气设备和电池作为生活垃圾处置



Hilti 锂离子电池



Hilti 充电器

### 1.2.3 图示中的符号

图示中使用了下列符号：



这些编号指本操作说明开始处的相应图示。



图示中的编号反映操作顺序，可能与文本中描述的步骤不同。



位置编号被用于概览图中并表示产品概览段落中的图例编号。



这些字符旨在提醒您特别注意操作本产品时的某些要点。

## 1.3 与产品相关的符号

### 1.3.1 产品上的符号

产品使用的符号如下：

RPM	每分钟冲程数
$n_0$	空载冲数
—	直流电 (DC)



	本产品支持近场通信 (NFC) 技术, 兼容 iOS 和安卓平台。
Li-Ion	锂离子电池
	切勿将电池用作敲击工具。
	请勿让电池掉落。切勿使用受到撞击或有任何损坏的电池。

## 2 安全

### 2.1 一般电动工具安全警告

**警告** 请阅读本电动工具随附的所有安全警告、说明、图示和技术规范。不遵守下列所有操作说明可能会导致电击、火灾和/或严重人身伤害。

请保存所有安全警告和操作说明, 以供将来参考。

在所有下列的警告中术语“电动工具”指市电驱动(有线)电动工具或电池驱动(无线)电动工具。

#### 工作区域安全

- 保持工作区域清洁和良好照明。杂乱和黑暗的区域容易导致事故。
- 不要在爆炸性环境中操作电动工具, 例如有易燃液体、气体或灰尘。电动工具会产生可以点燃这些灰尘或烟雾的火花。
- 在操作电动工具时, 要令儿童和旁观者远离工作现场。万一分心, 可能会使您失去对电动工具的控制。

#### 电气安全

- 电动工具(设备)插头必须匹配电源插座。切勿以任何方式改动插头。对于接地的电动工具(设备), 不要使用任何适配器插头。使用未经改动的插头和匹配的电源插座可以大大减少电击危险。
- 避免人体接触接地表面, 如管道、散热片和冰箱。如果您的身体接地, 则会增加电击危险。
- 不要将电动工具暴露在雨水或潮湿环境中。电动工具进水将会增加电击危险。
- 不要滥用电缆。切勿使用电缆运送、拉动或拔出电动工具。保持电缆远离高温、油、锋利边缘或运动部件。电缆损坏或缠绕会增加电击危险。
- 当在户外操作电动工具时, 应使用经认可适合户外操作的加长电缆。使用适合户外使用的电缆可减少电击危险。
- 如果在潮湿环境下操作电动工具是不可避免的, 应使用剩余电流动作保护器(RCD)。使用 RCD 可减小电击危险。

#### 人身安全

- 保持警觉, 注意您正在进行的工作, 并在操作电动工具的过程中, 应利用自己的判断能力。当您疲劳或受到药物、酒精或医疗影响时, 请不要使用电动工具。当操作电动工具时, 瞬间的分心都可能导致严重的人身伤害。
- 使用个人防护装备。一定要戴上护目装置。安全装置, 诸如适当条件下使用防尘面具、防滑安全鞋、安全帽、听力防护等装置能减少人身伤害。
- 防止电动工具意外启动。在连接至电源和/或电池组、拿起或搬运电动工具之前, 应确保开关处于“关闭”位置。将手指放在开关上搬运电动工具或在开关处于“打开”位置时接通电源, 都可能会导致事故发生。
- 在打开电动工具之前, 必须拿掉任何调整键或扳手。让扳手或调整键留在电动工具的旋转部件上可能会导致人身伤害。
- 不要操之过急。应时刻保持正确的站姿和平衡。这在意外情况下能够更好地控制电动工具。
- 确保正确着装。不要穿着松垮的衣服或佩戴首饰。让头发和衣服远离运动部件。松垮的衣服、首饰或长发会卡在运动部件中。
- 如果提供有助于连接除尘和集尘设施的装置, 应确保将它们连接好并正确使用。使用除尘装置可以减少与灰尘相关的危险。
- 经常使用工具能令您获得较高的熟练度, 但不能因此掉以轻心和忽视工具安全准则。一次不慎操作就会在瞬间导致重伤。

#### 电动工具的使用和维护

- 不要强制使用电动工具。针对您的应用场合使用正确的电动工具。正确的电动工具在其额定设计值范围内将能够更好和更安全地工作。
- 如果通过开关不能使其打开和关闭, 则请不要使用电动工具。任何不能通过开关进行控制的电动工具都是危险的, 必须对其进行修理。
- 在进行任何调整、更换配件或存放电动工具之前, 应从电源上断开插头和/或从电动工具上拆下电池组(若可拆卸)。此预防性安全措施可减少意外启动电动工具的危险。



- ▶ 将不用的电动工具存放在儿童拿不到的地方，并且不要让不熟悉电动工具或其操作说明的人员操作电动工具。未经培训的用户操作电动工具是危险的。
- ▶ 维护电动工具和配件。检查是否存在运动部件失调或卡滞、部件断裂和任何其它影响电动工具操作的情况。如果存在损坏，则在使用之前应修理电动工具。许多事故都是由于电动工具维护不良造成的。
- ▶ 保持切削工具锋利和清洁。带锋利切削刃的切削工具如果维护得当，很少会发生卡滞且更容易控制。
- ▶ 按照使用说明书，考虑作业条件和进行的作业来使用电动工具、附件和工具的刀头等。将电动工具用于指定用途以外的场合会导致危险。
- ▶ 使手柄和抓握面保持干燥、清洁且没有油脂。如果手柄和抓握面打滑，将无法在意外情况下安全操作或控制本工具。

#### 无绳 (电池操作) 工具/设备的使用和维护

- ▶ 充电时只能使用制造商指定的充电器。适合某种类型电池组的充电器如果被用于为另一类型电池组充电，则可能会带来火灾危险。
- ▶ 只能使用专用电池组为电动工具供电。使用任何其它电池组可能会带来人身伤害和火灾。
- ▶ 当电池组不用时，应使其远离其它金属物体，例如纸夹、硬币、钥匙、钉子、螺钉或其它小的金属物体，以免造成短路。如果电池端子被短路，则会造成人员烧伤或火灾。
- ▶ 如果持续滥用电池，则可能会造成液体从电池中喷射出来；注意避免接触到液体。如果意外接触到液体，应用水冲洗。如果液体接触眼睛，除了用大量清水冲洗外，还应立即就医。从电池中喷射出来的液体会导致疼痛或灼伤。
- ▶ 不要使用损坏或改装过的电池组或工具。损坏或改装过的电池会造成不可预测的情形，导致火灾、爆炸或受伤风险。
- ▶ 不要将电池组或工具暴露在明火或过高的温度中。暴露在明火或超过 130 °C (265 °F) 温度中可能导致爆炸。
- ▶ 遵守所有充电说明，且不要在使用说明规定的温度范围之外对电池组或工具充电。充电不正确或在规定温度范围之外充电会损坏电池并增加火灾风险。

#### 保养

- ▶ 将你的电动工具送交专业维修人员，使用同样的备件进行修理。这样才可确保维持电动工具 (设备) 的安全性。
- ▶ 切勿擅自维修损坏的电池组。仅可由制造商或授权服务提供商执行电池组的维修。

## 2.2 有关使用往复锯条的锯机的安全说明

- ▶ 如果配套工具的工作区域可能接触到隐藏的线束，只能握住电动工具的绝缘把手表面进行操作。如果触点由带电电缆制成，则本电动工具的金属部分也会带电，从而导致触电。
- ▶ 使用夹具或其他适当方法将工件牢牢固定到稳固的支撑面上。仅用手或者靠着身体持住工件，使工件处于不稳定状态，这会导致失控危险。

## 2.3 附加的安全说明

- ▶ 只有产品和附件处于良好的技术状态时才能使用。
- ▶ 切勿以任何方式擅自改动或改装本产品或附件。
- ▶ 磨削、抛光、切割和钻孔过程中产生的粉尘可能包含有害化学物质。一些例子包括：铅或铅基涂料；砖、混凝土、其他砖石产品、天然石材和其它含硅酸盐的产品；一些木材，例如橡木、山毛榉和化学处理过的木材；石棉或含石棉的材料。根据所处理材料的危险等级，确定操作员和附近人员的暴露程度。采取必要的措施将暴露保持在安全水平内，例如使用集尘系统或佩戴适当的呼吸防护装置。减少暴露的一般措施包括：
  - ▶ 在通风良好的区域进行操作，
  - ▶ 避免长时间接触粉尘，
  - ▶ 清除脸部和身体上的粉尘，
  - ▶ 穿着防护服并用肥皂和水清洗暴露的部位。
- ▶ 工具和/或附件坠落会带来伤害风险。在开始工作之前，检查安装的附件是否已固定牢固。
- ▶ 始终保持通风孔畅通。遮盖通风孔会有火灾风险！
- ▶ 适当休息并活动手指，以改善手指的血液循环。工作期间长时间暴露于强烈振动环境中可能导致手指、手掌和手腕部位血管和神经系统紊乱。
- ▶ 不要将带钩固定在产品上。
- ▶ 切勿直视本产品内集成的光源 (LED)，且不得将光束对准其他人的脸部。这会导致眩晕或使眼睛受到伤害。
- ▶ 在使用产品期间，操作者和附近人员都必须佩戴合适的护目镜、安全帽、护耳装置、防护手套和轻型呼吸防护罩。
- ▶ 飞溅的碎片有导致身体和眼睛受伤的风险。请穿戴个人防护装备，务必戴上护目镜和防护手套。



- ▶ 在更换配套工具时佩戴防护手套。触碰配套工具会导致割伤和烫伤。
- ▶ 应保持双手远离切割区域和锯条。如有必要，用另一只手通过电机外壳握住产品。双手放在锯条上时，不会被锯条割伤。
- ▶ 等待产品完全停止后再将其放下。
- ▶ 不要使用不锋利/钝化或损坏的锯条。这会导致摩擦加剧并增加锯条卡滞和反冲的风险。
- ▶ 应将工件固定在坚固的支架上。切勿单手或把持工件或放在腿上。
- ▶ 仅在将产品带到工作位置时才可将其打开。
- ▶ 使用本产品时，请务必与其保持一定距离。
- ▶ 不要将锯伸入工件下方进行锯切。
- ▶ 仅仅施加适当的压力并以合适的速度锯切，尤其在锯切大直径管道时。这将有助于防止产品过热。
- ▶ 请始终使用合适长度的锯条。锯条必须在整个冲程中探出工件。
- ▶ 切勿锯割未知材料，并确保工件上部和下部的锯割路径上无障碍物。
  - ▶ 如果锯条触碰到障碍物，本产品会发生反冲。
- ▶ 将手臂置于可以吸收反冲力的位置。
- ▶ 必须将产品按压至工件，直到触靴牢固接触。这样即可确保工作进程最优且安全。
- ▶ 身体应站在锯条的一侧，切勿与锯条在一条线上。如果发生反冲，锯条可能会向后弹向您。
- ▶ 如果锯条卡住，或出于任何原因中断操作时，请关闭锯条，使其在物料中保持不动，直至锯条完全停下来。当锯条运动时，切勿试图从工件中移走锯或向后拔动锯，否则锯条会发生反冲。
- ▶ 在工件中重新启动锯时，将锯条置于锯口中心，检查并确认锯齿未切入工件中。
- ▶ 当锯入墙壁或其它盲区时，应极其小心。因为锯进入物料时可能会碰到隐藏障碍，导致发生反冲。
- ▶ 在存放或运输本产品之前，必须接合安全锁。
- ▶ 关于锯片的使用和存放，请遵照制造商的相关说明。
- ▶ 如果涉及穿透作业，应始终固定作业位置对面的区域。
- ▶ 开始工作前，检查工作区域是否有隐蔽的电缆或天然气和水管。如果电缆、燃气管或水管有损坏，则产品的外部金属部件可能会导致电击或爆炸。
- ▶ 切割管道时，请握紧本产品，并将其置于锯割管道的上方。
  - ▶ 本产品无防水功能。因此，如果有液体从管道中流出，则可能会导致本产品短路。
- ▶ 切割管道前，确保管道中没有任何液体。必要时排空管道。

## 2.4 小心处理和使用电池

- ▶ 请遵守以下关于安全操作和使用锂离子电动工具电池的安全提示。若未能遵守，会导致皮肤刺激、严重的腐蚀伤、化学烫伤、火灾和/或爆炸。
- ▶ 只有电池处于良好的技术状态时才能使用。
- ▶ 请小心地处理电池，以防损坏电池和避免对健康极有害的液体泄漏！
- ▶ 严禁改装或篡改电池！
- ▶ 不要分解、挤压或焚烧电池，不要将其暴露在高于 80 °C (176 °F) 的温度条件下。
- ▶ 对于遭受过撞击或有其他损坏的电池，切勿使用或对其进行充电。定期检查电池是否有损坏的迹象。
- ▶ 切勿使用回收的或修理过的电池。
- ▶ 切勿将电池或电池供电的电动工具用作锤子。
- ▶ 切勿将电池暴露在直射的阳光下、高温、火花或明火中。可能会导致爆炸。
- ▶ 切勿用手指、工具、珠宝或其他导电物体接触电池极片。否则会损坏电池，造成财产损失和人身伤害。
- ▶ 确保电池远离雨水、潮气和液体。受潮会导致短路、漏电、燃烧、火灾或爆炸。
- ▶ 仅限使用经批准用于特定电池类型的充电器和电动工具。阅读并遵守相关操作说明中的规定。
- ▶ 不得在易爆环境中存放或使用电池。
- ▶ 如果电池发热烫手，则可能有故障。请将电池放在醒目且无火灾风险的地方，并与易燃物品保持足够距离。让电池自行冷却。如果一小时后电池仍然发热烫手，则表示存在故障。请联系 Hilti 维修中心或阅读文档“有关 Hilti 锂离子电池安全性和使用的提示”。

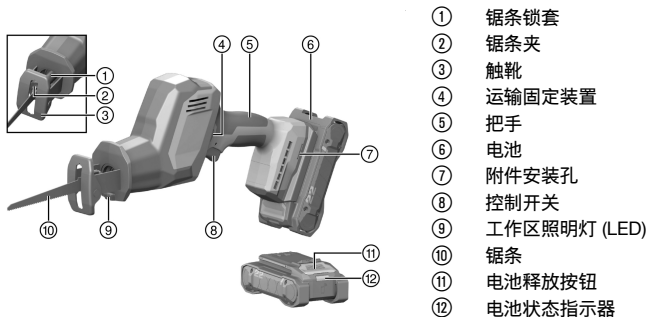


请遵守适用于锂离子电池运输、存储和使用的特殊准则。

请通过扫描该操作说明末尾的二维码来阅读有关 Hilti 锂离子电池安全性和使用的提示。



#### 3.1 产品概述



- ① 锯条锁套
- ② 锯条夹
- ③ 触靴
- ④ 运输固定装置
- ⑤ 把手
- ⑥ 电池
- ⑦ 附件安装孔
- ⑧ 控制开关
- ⑨ 工作区照明灯 (LED)
- ⑩ 锯条
- ⑪ 电池释放按钮
- ⑫ 电池状态指示器

#### 3.2 合规使用

所述的产品是充电式往复锯。它设计用于切割木材、近似木头的材料、金属、砖块和塑料。本产品设计为单手操作型。

- 本产品只能与 Hilti Nuron B 22 系列锂离子电池搭配使用。为确保最佳功率，Hilti 建议为本产品使用该操作说明末尾表格中给出的电池。
- 此类电池仅限使用该操作说明末尾表格所规定型号系列的 Hilti 充电器充电。

#### 3.3 可能的误用

- ▶ 不得使用本电动工具锯割混凝土、多孔混凝土、天然石块或瓷砖。
- ▶ 不得使用本产品锯割含有液体的管道。
- ▶ 不得锯割未知材料。

#### 3.4 供货范围

往复锯操作说明。

经批准可以与本产品搭配使用的其他系统产品，可以在您当地的 [www.hilti.group](http://www.hilti.group) 购买或访问 Hilti Store 在线订购

#### 3.5 锂离子电池指示灯

Hilti Nuron 锂离子电池可以显示电池的充电状态、出错信息和状态。

##### 3.5.1 充电状态和出错信息的显示



**-警告-**

**人身伤害的危险！电池掉落危险！**

- ▶ 在插入电池的情况下按压解锁按钮后，确保将电池重新正确锁定在所用的产品中。

请短暂按压电池的解锁按钮，以获得下列指示灯指示之一。

只要连接的产品已接通，便会持续显示充电状态和可能的故障。

状态	含义
四个 (4) LED 灯持续亮起绿光	充电状态：100 % 至 71 %
三个 (3) LED 灯持续亮起绿光	充电状态：70 % 至 51 %
两个 (2) LED 灯持续亮起绿光	充电状态：50 % 至 26 %
一个 (1) LED 灯持续亮起绿光	充电状态：25 % 至 10 %
一个 (1) LED 灯缓慢闪绿光	充电状态：< 10 %
一个 (1) LED 灯快速闪绿光	锂离子电池电量耗尽。为电池充电。 如果在为电池充电后 LED 灯始终快速闪烁，请联系 Hilti 维修中心。



状态	含义
一个 (1) LED 灯快速闪黄光	锂离子电池或与其相连的产品过载、过热、过冷或存在其他故障。 使产品和电池达到建议的工作温度，并且在使用时不要使产品过载。 如果信息仍然存在，请联系 Hilti 维修中心。
一个 (1) LED 灯亮起黄光	锂离子电池和连接的产品不兼容。请联系 Hilti 维修中心。
一个 (1) LED 灯快速闪红光	锂离子电池被锁定且无法继续使用。请联系 Hilti 维修中心。

### 3.5.2 电池状态的显示

如要检查电池状态，请按住解锁按钮三秒钟以上。系统未检测到由于掉落、刺穿、外部热损坏等错误使用而引起的电池潜在故障。

状态	含义
所有 LED 灯都作为运行灯亮起，接着有一个 (1) LED 灯持续亮绿光。	电池可以继续使用。
所有 LED 灯都作为运行灯亮起，接着有一个 (1) LED 灯快速闪黄光。	未能完成电池状态的查询。请重复该过程或联系 Hilti 维修中心。
所有 LED 灯都作为运行灯亮起，接着有一个 (1) LED 灯持续亮红光。	如果仍然可以继续使用所连接的产品，则电池剩余电量不足 50%。 如果无法再使用所连接的产品，则电池的使用寿命即将结束，应予以更换。请联系 Hilti 维修中心。

## 4 技术数据

### 4.1 往复锯

	SR 4-22
产品代次	02
额定电压	21.6 V
符合 EPTA Procedure 01 要求的重量 (不包括电池)	2 kg
冲数	0 rpm ... 3,000 rpm
冲程长度	23.2 mm
标准配套工具的无匙夹头	1/2 in
存放温度	-20 °C ... 70 °C
适合工作的环境温度	-17 °C ... 60 °C

### 4.2 电池

电池工作电压	21.6 V
电池重量	参见操作说明结尾
适合工作的环境温度	-17 °C ... 60 °C
存放温度	-20 °C ... 40 °C
电池充电起始温度	-10 °C ... 45 °C

### 4.3 噪声信息和振动值

这些说明中给出的声压和振动值按照标准化测试的要求测得，可用于比较一种电动工具与另一种电动工具。它们还可用于初步评价受振动影响的程度。

提供的数据代表本电动工具的主要应用。但是，如果将电动工具用于不同的应用、使用不同的配套工具或维护不良，则数据可能不同。这可能会显著增加操作者在整个工作期间受振动影响的程度。

对受振动影响程度的准确估计还应考虑当关闭电动工具或当它运行但实际未进行工作时的情况。这可能会显著减小操作者在整个工作期间受振动影响的程度。



此外，应确定附加安全措施，以保护操作者免受噪音和/或振动影响，例如：正确维护电动工具和配套工具、保持双手温暖、制订合理的工作计划等。

关于此处所使用的 EN 62841 标准版本的详细信息，请查看符合性声明图示 222。

### 噪音信息

	SR 4-22
声功率级 ( $L_{WA}$ )	95 dB(A)
声音功率级的不确定性系数 ( $K_{WA}$ )	5 dB(A)
声压级 ( $L_{pA}$ )	87 dB(A)
声压级的不确定性 ( $K_{pA}$ )	5 dB(A)

### 振动信息

锯切刨花板的振动排放值 ( $a_{h, B}$ )	B 22-55	12.8 m/s <sup>2</sup>
	B 22-85	11.1 m/s <sup>2</sup>
锯切木梁的振动排放值 ( $a_{h, WB}$ )	B 22-55	11.5 m/s <sup>2</sup>
	B 22-85	12.2 m/s <sup>2</sup>
不确定性 (K)		1.5 m/s <sup>2</sup>

## 5 操作

### 5.1 给电池充电

1. 为电池充电之前，请阅读充电器的操作说明。
2. 确保电池和充电器上的触点均清洁、干燥。
3. 使用认可的充电器为电池充电。 210

### 5.2 插入电池

#### -警告-

**人身伤害的危险 短路或电池掉落会带来人身伤害的危险！**

- ▶ 装入电池之前，确保电池和产品上的触点上均无异物。
- ▶ 确保电池接合正确。

1. 在首次使用电池之前，要给电池完全充电。
2. 将电池推入产品，直至听到卡止声。
3. 检查并确认电池已可靠就位。

### 5.3 拆下电池

1. 按下电池释放按钮。
2. 从产品中取出电池。

### 5.4 防坠落装置

#### -警告-

**人身伤害的危险 会带来人身伤害的危险！**

- ▶ 请只是为您的产品推荐的 Hilti 工具绳索。
- ▶ 在使用前请检查工具绳索的固定点有无损坏。

注意高空作业的国家法规。

请仅使用 Hilti 保险带 #2293133 和 Hilti 工具挂绳 #2261970 作为本产品的防坠落保护装置。

- ▶ 将保险带固定到附件的安装孔中。检查是否已牢牢固定。





- ▶ 将工具挂绳的一个弹簧钩固定到保险带上，另一个弹簧钩固定到支撑结构上。检查两个弹簧钩是否已牢牢固定。



请遵守 Hilti 保险带以及 Hilti 工具挂绳的操作说明。

## 5.5 插入锯条 2



仅使用带 1/2" 连接端的锯条。

1. 检查并确认配套工具的连接端清洁且已用润滑脂轻微润滑。必要时，对其进行清洁并用润滑脂润滑。
2. 逆时针旋转锯条锁套并将其保持在相应位置。
3. 从前方将锯条推入夹头。
4. 释放锁套并让其移回到最初位置，直至其发出一声接合的“咔哒”声。
5. 抓住并拉动锯条，以检查确认它已锁止到位。

## 5.6 取下锯条 3



-小心-

人身伤害的危险！配套工具可能会发烫或边缘很锋利。

- ▶ 更换配套工具时，戴上防护手套。
  - ▶ 切勿将发烫的配套工具放在易燃表面上。
1. 逆时针旋转锯条锁套并将其保持在相应位置。
  2. 将锯条向前拉出夹头。
  3. 释放锁套并让其移回到最初位置。

## 6 操作

请遵守本文档以及产品上的安全说明和警告。

### 6.1 锯切



-警告-

锯持续运行会带来人身伤害危险！

- ▶ 在产品完全停止前，不得举起产品离开工件。
  - ▶ 直至产品完全停止才可将其放下。
1. 释放安全锁并按下控制开关。
  2. 完成锯切后，释放控制开关。
  3. 接合安全锁。

## 7 维护和保养



-警告-

插入电池时存在人身伤害危险！

- ▶ 执行维护和保养任务之前，请务必先取出电池。

### 工具的保养

- 请小心地清除顽固污渍。
- 用干燥的软毛刷 (若有) 小心地清洁通风槽。
- 请仅使用微湿的抹布清洁外壳。不要使用含硅清洁剂，否则可能腐蚀塑料件。
- 定期从外部清洁和润滑夹头。为此请使用 314648 喷剂 Hilti。
- 用干燥干净的布清洁产品触点。

### 锂离子电池的保养

- 切勿使用通风孔堵塞的电池。用干燥的软毛刷小心地清洁通风孔。



- 避免不必要地将电池暴露在粉尘或污垢中。切勿将电池暴露在高湿度的环境中 (例如将其浸在水中或放在雨中)。如果电池浸湿, 请如处理损坏的电池那样对其进行处理。将其隔离在不可燃的容器中, 然后联系 Hilti 维修中心。
- 确保电池远离油和油脂。切勿让不必要的粉尘或脏污积聚在电池上。用干燥的软毛刷或干燥柔软的布清洁电池。不要使用含硅清洁剂, 否则可能腐蚀塑料件。请勿触摸电池触点或从触点上去除出厂涂的油脂。
- 请仅使用微湿的抹布清洁外壳。不要使用含硅清洁剂, 否则可能腐蚀塑料件。

#### 维护

- 定期检查所有可见部件和控制器是否出现损坏迹象, 确保其全部正常工作。
- 如果发现产品有损坏和/或有功能故障, 请不要使用。立即将本产品交给 Hilti 维修中心修复。
- 清洁和维护之后, 安装所有护板或保护装置并检查其功能是否正常。

为确保安全和可靠的操作, 仅使用喜利得原装条件和消费品。经 Hilti 许可与产品搭配使用的备件、消耗品和配件可到您当地的 Hilti Store 购买或访问: [www.hilti.group](http://www.hilti.group)

## 8 运输和存放

### 无绳工具和电池的运输



-小心-

#### 运输途中的意外启动!

- ▶ 运输产品前务必将电池取出!
- ▶ 取下电池。
- ▶ 切勿松散、未加保护地运输电池。在运输过程中, 应保护电池免受过度冲击或振动影响, 并将其与任何导电材料或其它电池分开 (因为它们可能会接触到电池端子并导致短路)。请遵守当地的电池运输规定。
- ▶ 请勿以邮寄方式运送电池。有关如何运送完好电池的说明, 请咨询您的发货商。
- ▶ 每次使用前以及长时间运输前后都要检查产品和电池是否损坏。

### 无绳工具和电池的存放



-警告-

#### 故障或泄漏的电池会导致意外损坏!

- ▶ 仅可在未插入电池的情况下存放产品!
- ▶ 请将产品和电池存放至凉爽干燥的地方。请遵守技术数据 211 中规定的温度极限值。
- ▶ 请勿将电池存放在充电器中。充电过程结束后请始终将电池从充电器中取出。
- ▶ 切勿将电池存放在阳光下、热源上或玻璃后。
- ▶ 请将本产品和电池存放在儿童或非授权人员无法接近的位置。
- ▶ 每次使用前以及长时间存放前后都要检查产品和电池是否损坏。

## 9 故障排除

出现任何故障时, 都应注意电池充电状态和故障指示灯。参见锂离子电池指示灯一章。

如果您碰到的问题未在此表中列出或您无法自行排除, 请联系 Hilti 维修中心。

故障	可能原因	解决方案
电池比平常更快耗尽。	电池状态不是最佳。	▶ 查询电池状态。  210
电池未接合 (没有发出咔哒声)。	电池上的固定凸耳脏污。	▶ 清洁固定凸耳, 然后重新安装电池。
LED 未亮起。	电池未完全插入。	▶ 推入电池直至听到它接合的“咔哒”声。
	电池发生故障。	▶ 联系 Hilti 维修中心。
锯条无法从夹头上拆下。	锁止杆未推到底。	▶ 将锁止杆转到底并拆下锯条。
	夹头因锯切操作产生的残留物堵塞。	▶ 清除锯切操作产生的残留物, 并定期从外部清洁夹头。产品的保养。  213
本产品不能达到全功率。	没有完全按下控制开关。	▶ 完全按下控制开关。



故障	可能原因	解决方案
本产品不能达到全功率。	电池放电。	▶ 更换电池，并对已放电电池充电。
锯条无法从夹头上拆下。	锁套没有旋转到头。	▶ 将锁套旋转到头并拆下锯条。

## 10 废弃处置



**-警告-**

废弃处理不当会有人身伤害的危险！漏出的气体或液体会带来健康危害。

- ▶ 不得通过邮寄方式发送任何电池。
- ▶ 用非导电材料 (比如绝缘带) 包住端子，以防止短路。
- ▶ 在儿童接触不到的地方处置电池。
- ▶ 请将电池送交 **Hilti Store** 处置，或咨询当地的废弃处理机构以获取处置说明。

制造 Hilti 产品所用的大部分材料都可回收利用。在可以回收之前，必须正确分离材料。Hilti 在很多国家都提供旧工具回收服务。请咨询 Hilti 客户服务部门或您的销售顾问。



- ▶ 不要将电动工具、电子设备和电池扔进家庭垃圾中！

## 11 制造商保修

- ▶ 如对保修条件有任何疑问，请联系您当地的 Hilti 代表。

## 12 更多信息



关于操作、技术、环保和回收的更多信息请查看以下链接：[qr.hilti.com/manual/?id=2243480&id=2243482](http://qr.hilti.com/manual/?id=2243480&id=2243482)  
文档末尾也提供二维码链接。





 **NURON**



<b>B 22-55 (01)</b>	0,56 kg	1.23 lb
<b>B 22-85 (01)</b>	0,77 kg	1.70 lb

<b>C 4-22</b>
<b>C 6-22</b>
<b>C 8-22</b>

## en Declaration of conformity

### Declaration of conformity

The manufacturer declares, on his sole responsibility, that the product described here complies with the applicable legislation and standards.

The technical documentation is filed here:

**Hilti** Entwicklungsgesellschaft mbH | Tool Certification | Hiltistrasse 6 | D-86916 Kaufering, Germany

### Product information

Reciprocating saw	SR 4-22
Generation	02
Serial no.	1-9999999999

## fr Déclaration de conformité

### Déclaration de conformité

Le fabricant déclare sous sa seule et unique responsabilité que le produit décrit ici est conforme aux directives et normes en vigueur.

Pour obtenir les documentations techniques, s'adresser à :

**Hilti** Entwicklungsgesellschaft mbH | Zulassung Geräte | Hiltistraße 6 | 86916 Kaufering, DE

### Caractéristiques produit

Scie sabre	SR 4-22
Génération	02
N° de série	1-9999999999

## da Overensstemmelseserklæring

### Overensstemmelseserklæring

Producenten erklærer som eneansvarlig, at det her beskrevne produkt er i overensstemmelse med gældende lovgivning og gældende standarder.

Den tekniske dokumentation er arkiveret her:

**Hilti** Entwicklungsgesellschaft mbH | Zulassung Geräte | Hiltistraße 6 | 86916 Kaufering, DE

### Produktoplysninger

Bajonetsav	SR 4-22
Generation	02
Serienummer	1-9999999999

## sv Försäkran om överensstämmelse

### Försäkran om överensstämmelse

Härmed intygar tillverkaren med ensamt ansvar att produkten som beskrivs överensstämmer med gällande lagstiftning och standarder.

Den tekniska dokumentationen finns sparad här:

**Hilti** Entwicklungsgesellschaft mbH | Zulassung Geräte | Hiltistraße 6 | 86916 Kaufering, Tyskland

### Produktdetaljer

Tigersåg	SR 4-22
Generation	02
Serienr	1-9999999999

## no Samsvarserklæring

### Samsvarserklæring

Produzenten erklærer under sitt eneansvar at produktet som er beskrevet her, oppfyller kravene i gjeldende lovgivning og er i samsvar med gjeldende standarder.

Den tekniske dokumentasjonen er lagret her:



### Produkttopplysninger

Bajonetsag	SR 4-22
Generasjon	02
Serienummer	1-99999999999

### fi Vaatimustenmukaisuusvakuutus

#### Vaatimustenmukaisuusvakuutus

Valmistaja vakuuttaa, että tässä kuvattu tuote täyttää sitä koskevien voimassa olevien lakien ja standardien vaatimukset.

Tekninen dokumentaatio löytyy tästä:

Hilti Entwicklungsgesellschaft mbH | Zulassung Geräte | Hiltistraße 6 | 86916 Kaufering, DE

#### Tuotetiedot

Puukkosaha	SR 4-22
Sukupolvi	02
Sarjanumero	1-99999999999

### et Vastavusdeklaratsioon

#### Vastavusdeklaratsioon

Seadme tootja kinnitab ainuvastutajana, et käesolevas kasutusjuhendis kirjeldatud seade vastab kehtivate õigusaktide nõuetele ja kehtivatele standarditele.

Tehnilised dokumendid on saadaval:

Hilti Entwicklungsgesellschaft mbH | Zulassung Geräte | Hiltistraße 6 | 86916 Kaufering, DE

#### Tooteinfo

Saabelsaag	SR 4-22
Põlvkond	02
Seerianumber	1-99999999999

### lv Atbilstības deklarācija

#### Atbilstības deklarācija

Ražotājs, ņemoties pilnu atbildību, apliecina, ka šeit aprakstītais izstrādājums atbilst spēkā esošo tiesību aktu un standartu prasībām.

Tehnisko dokumentāciju glabā:

Hilti Entwicklungsgesellschaft mbH | Zulassung Geräte | Hiltistraße 6 | 86916 Kaufering, DE

#### Izstrādājuma dati

Zobenzāģis	SR 4-22
Paaudze	02
Sērijas Nr.	1-99999999999

### It Atitikties deklaracija

#### Atitikties deklaracija

Gamintojas prisiimdamos visą atsakomybę pareiškia, kad čia aprašytas prietaisas atitinka galiojančių įstatymų ir standartų reikalavimus.

Techninė dokumentacija saugoma čia:

Hilti Entwicklungsgesellschaft mbH | Zulassung Geräte | Hiltistraße 6 | 86916 Kaufering, DE

#### Prietaiso duomenys

Tiesinis pjūklas	SR 4-22
Karta	02
Serijos Nr.	1-99999999999



**ru Декларация соответствия нормам****Декларация соответствия нормам**

Настоящим фирма-изготовитель с полной ответственностью заявляет, что данное изделие соответствует действующим директивам и нормам.

Техническая документация (оригиналы) хранится здесь:

**Hilti** Entwicklungsgesellschaft mbH | Zulassung Geräte | Hiltistraße 6 | 86916 Kaufering, Германия

**Указания к изделию**

Сабельная пила	SR 4-22
Поколение	02
Серийный №	1-99999999999

**uk Сертифікат відповідності****Сертифікат відповідності**

Виробник зі всією належною відповідальністю заявляє, що описаний у цьому документі інструмент відповідає чинному законодавству і стандартам.

Технічна документація зазначена нижче:

**Hilti** Entwicklungsgesellschaft mbH | Zulassung Geräte | Hiltistraße 6 | 86916 Kaufering, DE

**Інформація про інструмент**

Шабельна пила	SR 4-22
Версія	02
Серійний номер	1-99999999999

**kk Сәйкестік декларациясы****Сәйкестік декларациясы**

Өндіруші осы нұсқаулықта сипатталған өнімнің қолданыстағы заңнамаға және қолданыстағы стандарттарға сәйкес екендігін толық жауапкершілікпен жариялайды.

Техникалық құжаттама мына жерде сақталған:

**Hilti** Entwicklungsgesellschaft mbH | Zulassung Geräte | Hiltistraße 6 | 86916 Kaufering, DE

**Өнім туралы мәліметтер**

Қылыштық ара	SR 4-22
Буын	02
Сериялық нөмір	1-99999999999

**tr Uygunluk beyanı****Uygunluk beyanı**

Üretici burada tanımlanan ürünün geçerli yasalara ve standartlara uygun olduğunu kendi sorumluluğunda beyan eder.

Teknik dokümantasyonlar eklidir:

**Hilti** Entwicklungsgesellschaft mbH | Zulassung Geräte | Hiltistraße 6 | 86916 Kaufering, DE

**Ürün bilgileri**

Panter testere	SR 4-22
Nesil	02
Seri no.	1-99999999999





**بيان المطابقة**

تعلن الجهة الصانعة على مسؤوليتها وحدها بأن المنتج المشروع هنا يتوافق مع التشريعات والمعايير المعمول بها.

المستندات الفنية محفوظة هنا:

Hilti Entwicklungsgesellschaft mbH | Zulassung Geräte | Hiltistraße 6 | 86916 Kaufering, DE

**بيانات المنتج**

SR 4-22	المنشار الترددي
02	الجيل
99999999999-1	الرقم المسلسل



**ja 適合宣言****適合宣言**

製造者は、単独の責任において本書で説明している製品が有効な法規と有効な標準規格に適合していることを宣言します。

技術資料は本書の後続の頁に記載されています：

**Hilti** Entwicklungsgesellschaft mbH | Zulassung Geräte | Hiltistraße 6 | 86916 Kaufering, DE

**製品データ**

レシプロソー	SR 4-22
製品世代	02
製造番号	1-9999999999

**ko 적합성 선언****적합성 선언**

본 제조사는 단독 책임 하에 여기에 기술된 제품이 통용되는 법 규정 및 규범과 일치함을 밝힙니다.

기술 문서는 이곳에 기술되어 있습니다.

**Hilti** Entwicklungsgesellschaft mbH | Zulassung Geräte | Hiltistraße 6 | 86916 Kaufering, DE

**제품 제원**

다목적 톱	SR 4-22
세대	02
일련 번호	1-9999999999

**zh 符合聲明****符合聲明**

基於製造商唯一的責任，本公司在此聲明本產品符合適用法規及標準。

技術文件已歸檔：

**Hilti** Entwicklungsgesellschaft mbH | Tool Certification | Hiltistrasse 6 | D-86916 Kaufering, Germany

**產品資訊**

軍刀鋸	SR 4-22
產品代別	02
序號	1-9999999999

**cn 符合性声明****符合性声明**

制造商全权负责声明，此处所述及的产品符合现行法规和标准。

技术文档在此处归档：

**Hilti** Entwicklungsgesellschaft mbH | Tool Certification | Hiltistrasse 6 | 86916 Kaufering, Germany

**产品信息**

往复锯	SR 4-22
代次	02
序列号	1-9999999999



**Hilti Corporation**  
Feldkircherstraße 100  
9494 Schaan | Liechtenstein  
**SR 4-22 (02)**



2006/42/EC  
2014/30/EU  
2011/65/EU

EN 62841-1:2015, AC:2015, A11:2022  
EN IEC 55014-1:2021

EN 62841-2-11:2016, A1:2020  
EN IEC 55014-2:2021

Schaan, 29.03.2024

**Dr. Tahar Zrilli**  
Head of Quality and Process Management  
Business Area Electric Tools & Accessories

**Edward-Louis Przybylowicz**  
Head of BU Power Tool & Accessories  
Business Area Electric Tools & Accessories

UK  
CA

## en UK Declaration of Conformity

### Declaration of conformity

The manufacturer declares, on his sole responsibility, that the product described here complies with the applicable legislation and standards.

The technical documentation is filed here:

**Hilti** Entwicklungsgesellschaft mbH | Tool Certification | Hiltistrasse 6 | D-86916 Kaufering, Germany

### Product information

Reciprocating saw	SR 4-22
Generation	02
Serial no.	1-99999999999





**Manufacturer:**

**Hilti Corporation**

Feldkircherstraße 100  
9494 Schaan | Liechtenstein

**SR 4-22 (02)**

Supply of Machinery (Safety) Regulations  
2008

Electromagnetic Compatibility Regulations  
2016

The Restriction of the Use of Certain  
Hazardous Substances in Electrical and  
Electronic Equipment Regulations 2012

**UK Importer:**

**Hilti (Gt. Britain) Limited**

No. 1 Circle Square, 3 Symphony Park  
Manchester, England, M1 7FS



EN 62841-1:2015, AC:2015, A11:2022

EN IEC 55014-1:2021

EN 62841-2-11:2016, A1:2020

EN IEC 55014-2:2021

Schaan, 29.03.2024

**Dr. Tahar Zrilli**

Head of Quality and Process Management  
Business Area Electric Tools & Accessories

**Edward-Louis Przybylowicz**

Head of BU Power Tool & Accessories  
Business Area Electric Tools & Accessories









2243482



Hilti Corporation  
LI-9494 Schaan  
Tel.:+423 234 21 11  
Fax:+423 234 29 65  
[www.hilti.group](http://www.hilti.group)



2243482